




PHP400

Hands-Free, Vandal Resistant, Disability-Friendly Telephone



- **SMART Analogue, GSM and VoIP-SIP options**
- **Large, vandal resistant metal buttons, palm operable**
- **Raised text button legends with Braille**
- **Integral Induction Loop facility for hearing impaired**
- **2 x RJ45 Connectors as standard for VoIP***
- **Audio-visual ring indication**
- **Emergency override**
- **Hands free operation**
- **Local PA**
- **Robust and weather resistant: IP55**
- **1 or 2 button autodial options with remote programming**
- **Suitable for pole mounting to a single PSTN post or surface mounting, simple installation**
- **400mm diameter**
- **NETWORK RAIL approved** 

The PHP400 Help Point is a rugged, public access hands-free telephone housed in a white enclosure.

The units are compact (400mm diameter, 88mm deep) and have the same fixing requirements as other GAI-Tronics telephones.

The Help Point telephones are vandal and weather resistant, providing hands-free loudspeaking communications for any public area.

The design of the unit takes into consideration the requirements of The Equality Act 2010 (EA).

Connectivity options are:

SMART Analogue

The unit provides basic telephone functions and can be connected to any standard two-wire telephone line, including FXS ports, analogue PABX lines and PSTN.

Self Monitoring And Reporting Telephone can be integrated with GAI-Tronics' TMA monitoring and maintenance software. SMART gives advanced features including remote programming, fault monitoring and call logging.

GSM

The GSM version has dual band 900/1800 MHz. It accepts a standard SIM card and has an integrated on-body antenna, which can be removed and sited up to 3m away if required, using the cable provided.

Voice over IP (SIP protocol)

GAI-Tronics VoIP-SIP telephones support Power over Ethernet (PoE) to combine power and connection to LAN or WAN. GAI-Tronics telephones now feature a secondary RJ45 port which allows two or more telephones to be connected in series*. GAI-Tronics VoIP-SIP phones offer a wealth of additional features including real-time reporting via Syslog, and can be configured by web browser.

2 button autodialler

Buttons labelled "Information" and "Emergency". Each button can be programmed with a number up to 24 digits.



Pressing the Emergency button will override an information call.

1 button autodialler

Can be configured to dial a stored number or as a 'hotline', where the exchange routes the call.



As well as the standard Help Point range, GAI-Tronics can supply specials to order with customised options.

* Contact GAI-Tronics for clarification of application

Hands-Free, Vandal Resistant, Disability-Friendly Telephone

TECHNICAL SPECIFICATIONS

Casing Material: Stainless steel front enclosure, powder coat finish -white. Call for other options.

Disability Features: Raised text and Braille legend to button; Integral induction loop

Keypad: Raised, stainless steel, vandal resistant pushbutton (palm operable)

Temperatures: Operating temperature: -20 to +60° C
Storing: -40° C to +70° C

Weather Resistance: IP55

Humidity: 95% RH non condensing

Weight: ~6.5kg

ANALOGUE / GSM

Speech: Voice-switched (VOX) semi-duplex operation
Call timeout programmable from 1 to 42 minutes.

Dialling: Autodial keypad single-press switch-on-and-dial
24 digits maximum with embedded Recall, Pause, Pulse & Tone characters

Ringling: Dual tone ringing through loudspeaker >75 dB @ 1m
REN 1 (not for GSM)

Power Supply: 230Vac @ 650mA max or 48Vdc @ 2A (specify at order Time)

Lightning / Transients: Protection to ITU-T k.21 enhanced levels

Memory Retention (autodiallers): E² Prom - 10 year life

Options:

Remote programming: Auto-dial numbers, time-out and dial mode can be programmed over the phone line either from a tone phone or from monitoring software (TMA).

Configuration: Remotely programmable via TMA

Remote monitoring: Remote health-check and fault reporting, either on a call-in or polled basis. TMA required.

Call Logging: Records call time, duration and auto-dial number used. TMA required.

VOICE OVER IP - SIP

Speech: Full duplex, 6 codecs available inc G.711 + G.722

Connection type: SIP to RFC3261

Ethernet connection via 2 x RJ45 sockets (inside enclosure) as standard

Power supply: Power requirement: 230Vac @ 650mA max (typ 50mA in idle state), or optional 48Vdc @ 1A max

Mains connection via screw terminals inside enclosure

Call set-up Protocol: Session Initiation Protocol (SIP) (RFC 3261) only

Configuration: Remote configuration via web pages, serial port, Telnet or configuration file

Static IP address provisioning or DHCP

External I/O: 4 auxilliary inputs, 2 isolated relay outputs (1 capable of switching 230Vac)

Monitoring and reporting: Remote alarms via syslog or email

Multicast (Only applicable to hands-free products) allows a single audio stream to be received by multiple endpoints simultaneously, to achieve multi-point paging or Public Address functionality over IP. (Requires a multicast compliant SIP server). 8 definable multicast address ranges, with individual priority levels, for zoning. Assignable relay outputs and splash tones.

Audio Path Testing: Allows remote testing of microphones and speakers, to verify that a phone is functioning acoustically.

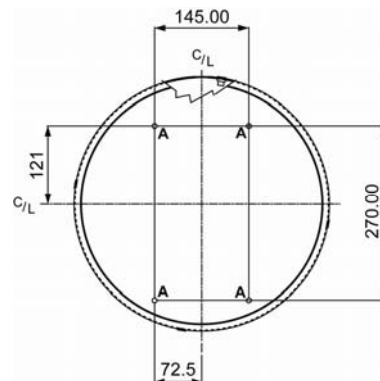
Can be run on demand or on a scheduled basis, reporting its results via Syslog and / or email.

DIMENSIONS

405mm diameter x 88mm depth (button protrudes a further 10mm from front panel)

Mounting centres: 145 x 270mm

Cable access: 5 x 20mm entry points (2 rear, 2 bottom, 1 top) blanking plugs supplied.



APPROVALS



This mark indicates compliance with the:
Radio & Telecommunications Terminal Equipment Directive
1999/5/EC (R&TTE)

2011/65/EC – RoHS 2 Directive

Tested to CTR21



Network Rail Approved



Empowered by Innovation

For specific country approval,
please call

ORDER INFORMATION

For order codes and details, please contact

T: 01283 500500, F: 01283 500400, E: sales@gai-tronics.co.uk

ITEM DESCRIPTION	PART NUMBER
1 Button Analogue (requires 48 Vdc)	228-02-6131-90W
2 Button Analogue (requires 48 Vdc)	228-02-6132-90W
1 Button VoIP-SIP (requires 48 Vdc)	112-02-0081-11W
2 Button VoIP-SIP (requires 48 Vdc)	112-02-0082-11W
1 Button GSM (requires 48 Vdc)	228-02-6101-90W
2 Button GSM (requires 48 Vdc)	228-02-6102-90W
2 Button Analogue (requires 230Vac)	228-02-6242-90W
2 Button GSM (requires 230Vac)	228-02-6272-90W
Mounting Post	100-02-0697-001

OPTIONAL ACCESSORIES

Please ask for Brochure B150 or visit www.gai-tronics.co.uk

