

OPERATIONS

Evidence Capture

KVM Recording



The responsibility borne by the public security sector increases steadily year by year. WEYTEC introduces the first screen recording solution which captures digital activity on agents' desktops to provide evidence about events and for crises management. It is now possible to synchronize, replicate and replay incidents and scenarios in the digital work environment.

- Recording up to 4K@60Hz
- Instant replay at any time
- For investigations and training purposes
- Synchronized replay of screens, video walls, keyboard, mouse and audio
- Flexible and scalable to any requirement
- Hardware and software-based recording
- Lossless compression technology
- Compatible and integrated with WEYTEC KVM products and solutions

Recording Products

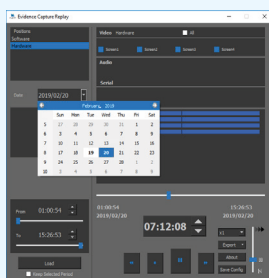


Hardware Recorder

WHY WEYTEC

ADAPTABLE TO YOUR REQUIREMENTS

... through combined Transmitter & Receiver recording



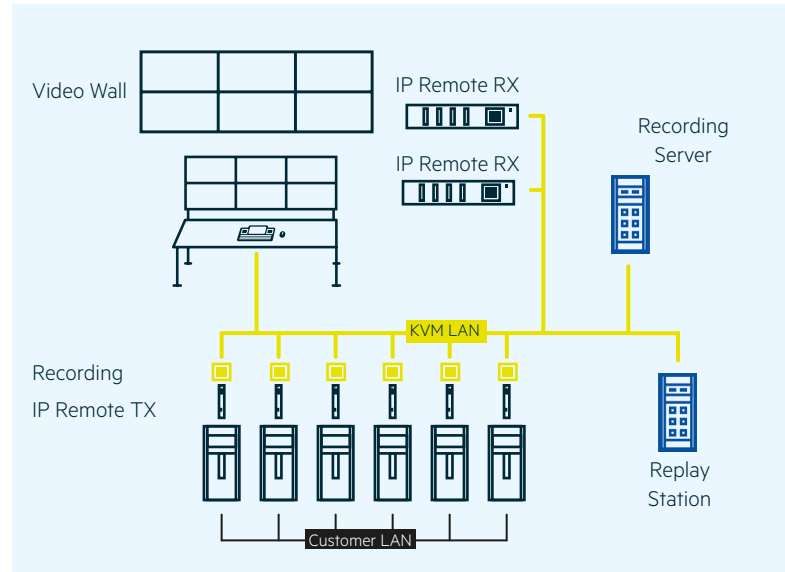
Replay Software



Recording Server

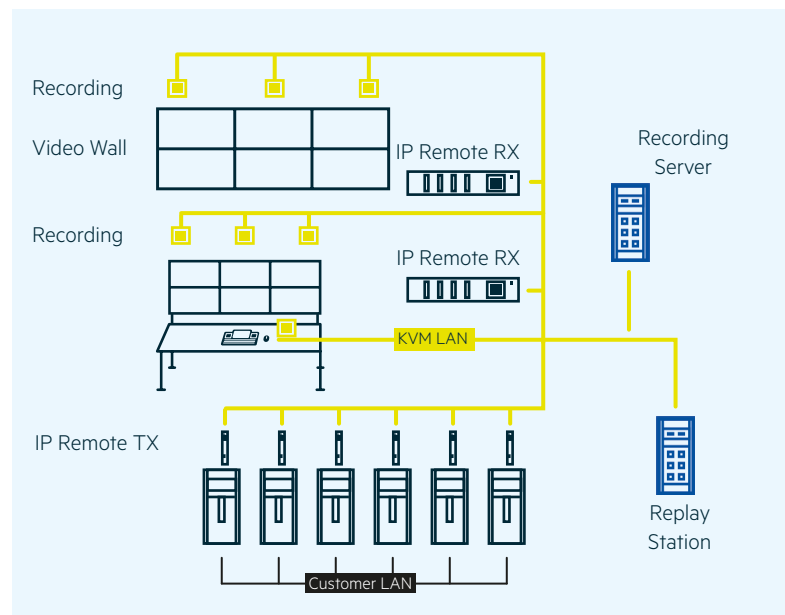
KVM Transmitter Recording

- Integrate recording in new or existing WDP KVM matrix systems
- “At-the-Source” recording of screen content, audio, mouse and keyboard data directly from the WDP transmitter
- Non-intrusive
- Centralized storage
- Uses the dedicated WDP network
- Independant of workplaces and video walls



KVM Receiver Recording

- Dedicated hardware
- “At-the-Glass” / “At-the-Wall” recording
- Recording of screen content, audio, mouse and keyboard data at the workplace
- Non-intrusive
- Centralized or local storage
- Uses a dedicated recording network or the customer network
- For workplaces and video walls



Available products and solutions

Art. No.	Description
20241R	Video IP Frame Grabber DVI / VGA
20242	Video IP Frame Grabber Dual DVI
20243	Video IP Frame Grabber DisplayPort 4K
22271RSS	Data Grabber Card USB/PS2
22275RSS	Data Grabber Card Serial/Audio
26920	Evidence Capture solution (KVM Recording)