

FADINI[®]
MECCANICA



AUTOMATIC SYSTEMS FOR GATES,
GARAGE DOORS, INDUSTRIAL DOORS
AND AUTOMATIC BARRIERS

CATALOGUE
11.2021



FADINI[®]
l'apricancello

INDEX

20

Automations for
SLIDING GATES

36

Automations for
SWINGING GATES

70

Automations for
**GARAGE AND
INDUSTRIAL DOORS**

82

**AUTOMATIC
BARRIERS**

102

**SAFETY AND
COMMAND
ELECTRONICS**

124

**ELECTRONIC
CONTROL UNITS**

150

KIT automations

162

GATE COMPONENTS

164

**INSTALLATION
DIAGRAMS**

172

**PROGRESSIVE INDEX
OF CODES**

176

NOTES INDEX

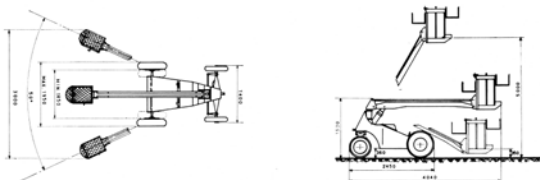


Creativity is imagining tomorrow. Projects where design and quality are the answer to your questions. Without a past there can be no future. Fadini automation, history is not fantasy. It all began in 1967, when the three Fadini brothers put up a small mechanical workshop specialized in oil-hydraulic agriculture machines. The transformation from a family business into an industrial group occurred though in the late 70s when an increasingly growing process started and the company became worldwide known in gate automation. Since 2010 the three founders are supported by their sons. Fadini is a reality today, that finds its place among the main players in the world in manufacturing and trading automatic systems for gates, doors of any kind, garages, road barriers, automatic, semiautomatic, removable and fixed bollards. The company's philosophy has been the same since the foundation and is characterized by a balanced combination of tradition and modernity, quality and reliability. Fadini, an exclusive though unmistakable product.



1969

Meccanica Fadini produces and puts on the market CIGNO: an oil-hydraulic platform for pruning and picking up fruits.





Head offices
manufacturing factory

THE COMPANY

Meccanica Fadini s.n.c. is a leading company today in Europe and the world in gate automation, with sales and assistance outlets in more than 60 nations. The main seat is in Cerea (VR) and spreads over a total surface of more than 130.000 m², 30.000 m² of which are ruffed, where automatic systems for gates, garage doors, industrial doors and road barriers are designed, manufactured and tested, including also a vast range of bollards, oil-hydraulic and automatic models, but also semiautomatic, removable and fixed. Other two factories in Vicenza province are dedicated to the production of control and safety accessories.

More than 45 years of ideas, passion and success.

The history of Meccanica Fadini is a path marked by a constant evolution towards new technological and marketing frontiers.

Yesterday, today and

MEC 400

First operator for sliding gates. Meccanica Fadini is a pioneer in Italy and in the world in producing and trading automatic gate systems.

19
74



19
77



MEC 800 SPECIAL

First oil-hydraulic operator for swinging gates. A great technical intuition: transferring the know-how in oil-hydraulics into the newly born gate automation field.

MEC 900

First traffic barrier with oil-hydraulic technology.



19
83



HONGI 83

Oil-hydraulic operator with electric motor integrated in the oil reservoir. Updated and improved over the years, today the same features can be found in HINDI 880 EVO, as a guarantee of quality and reliability.

MEC 85

Super-regenerative and quartz 250/300 MHz transmitters, one, two and three channels.

19
85



**19
91**

STRABUC 918

The first retractable, oil-hydraulic, automatic bollards are started in this period. Today they are included in a dedicated catalogue. Meccanica Fadini presents a complete range of automatic, semiautomatic, removable and fixed bollards.

Consult the dedicated catalogue to find out more.

in the future.

NYOTA 115

Geared motor operator with clutch in oil bath and mechanical brake. Constantly updated. Still in production as NYOTA 115 EVO version.

**19
86**



**19
93**



COMBI 740

First oil-hydraulic underground operator where motor pump and jack are all in one casing. Constantly updated and available in a wide range of versions, COMBI 740 is still in production; with the addition of COMBI 787 the choice of operators for large gates is thus even bigger.

JUNIOR 624/633/650

Range of geared motor operators for sliding gates, oil bath and EN 12445 - EN 12453 certified.

**20
10**



**20
17**



DARDO 424/430

First Fadini electromechanical operator for residential swinging gates.

ZERO

Complete line of accessories for swinging and sliding gates. Flashing light, photocells, transponder reader, key-switches, digital keypad, three-button switch and support posts.

**20
21**



THE VALUES OF INNOVATION

Mechanics is our creed. Meccanica Fadini has made significant investments in technology: today the most modern and efficient CNC machines of the latest generation can be found inside our factories.



OIL-HYDRAULIC TECHNOLOGY

The perfect solution for all those technical requirements that demand safety, quietness, smooth movements, precision and reliability. A successful market response, the high standards of performance and long life of Fadini installations are the real witnesses of such technical intuition: oil-hydraulic technology as a synonym for timeless quality.







CHOOSING FADINI MEANS CHOOSING QUALITY

Materials of high quality standards and a strictly controlled manufacturing process ensure reliability and long lasting performance with all its operators. All the mechanical, electromechanical and electronic parts undergo severe control during the various machining phases, assembling and final testing. Meccanica Fadini's products are CE marked and conform to the European safety regulations and installation guidelines.

RESEARCH AND DEVELOPMENT

Meccanica Fadini invests in innovation and latest state-of-the-art technologies. Software programs are used for 3D design, control, sustainable projects, communication and data processing. Creation of models of new products that quickly become alive thanks to the help of 3D multi-material printers.



WWW.FADINI.NET

Meccanica Fadini always supports its products by providing the following: instructions manuals, technical data sheets, catalogues and brochures; all can be easily consulted in the download section of the company's web site. Attentive also to the commercial needs of the distributors' network, Meccanica Fadini can provide advertising and demonstration material: various kind of demo-gates, luminous signs and gadgets, in addition to a line of Fadini-branded garments.



ZERO



ZERO.L

LED flashing light, with integrated aerial



ZERO.PH

Surface and recess photocells



ZERO.DGT

Surface and recess digital keypad
with cable connection



ZERO.K

Surface and recess key-switches



ZERO.EK

Surface and recess key-switches



ZERO.PB

Surface and recess
indoor 3-button switch



ZERO.SAPE

Surface and recess proximity reader
for transponders

ZERO.PT
Anodized aluminium outdoor posts



DIVO 71

Rolling code, auto-learning, 433,92 MHz transmitter, compatible with ASTRO 43 and JUBI 433 series.

4 colours available: lime green, mustard yellow, candy lilac and skyline grey.



DIVO 71

BEAM WITH LEDS

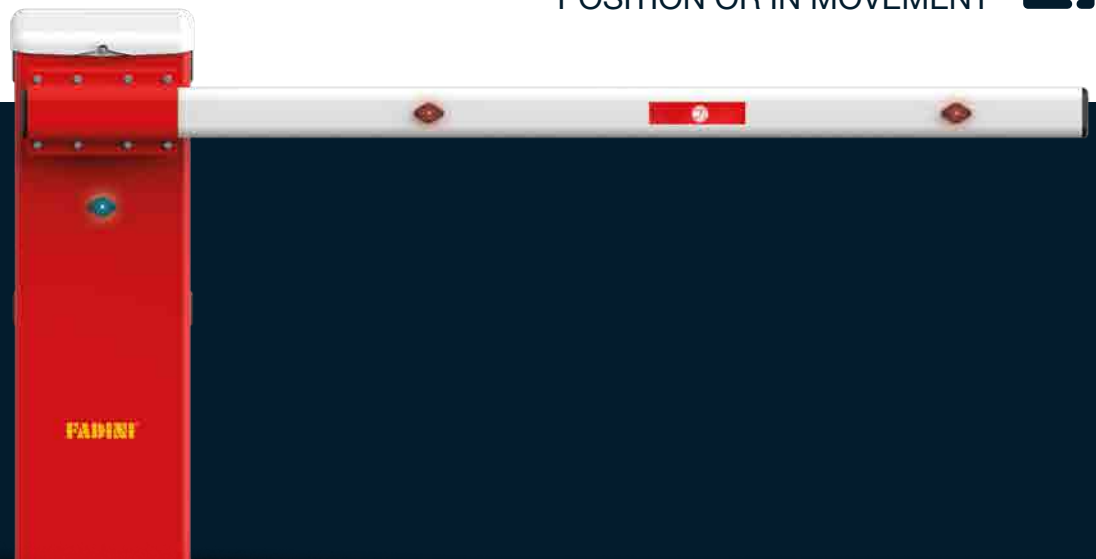
**TRAFFIC LIGHTS EFFECT
FOR THE AUTOMATIC BAYT 980 BARRIER**



GREEN LED FLASHING
LIGHT WITH BEAM IN
VERTICAL POSITION



RED LED FLASHING LIGHT
WITH BEAM IN HORIZONTAL
POSITION OR IN MOVEMENT





ELECTROMECHANICAL TECHNOLOGY

Operator that is designed to transmit motion by means of an electric motor and a speed reducer (worm gear and crown gear).



OIL-HYDRAULIC TECHNOLOGY

Operator that is designed to transmit motion by means of oil pressure.



EVO VALVE

It is possible to set the locking features directly on the operator depending on the installation requirements: **N** always non locking / **A** locking in open gate position / **B** locking in closed gate position / **BB** bidirectional locking.



LOCKING IN OPEN GATE POSITION

With the gate in open position, the operator needs overriding to allow closing by hand. With the gate in closed position, no locking action and opening by hand is allowed.



LOCKING IN CLOSED GATE POSITION

With the gate in closed position, the operator needs overriding to allow opening by hand. With the gate in open position, no locking action and closing by hand is allowed.



BIDIRECTIONAL HYDRAULIC LOCKING DEVICE

The gates are hydraulically hold in open and closed positions (motor stops). The actuator requires to be overridden for open and close operations by hand.



REVERSIBLE NON LOCKING

No hydraulic locking device is fitted. It is always possible to open and close the gate by hand. With these installations, an electric lock or latch is always required to hold the gate in closed position.



BRAKING

Oil-hydraulic operator incorporating a hydraulic device slowing down (braking) the gate: either in opening or closing phases or in both directions, depending on the operator type. Electromechanical operator incorporating an electronic braking control allowing slowdown in opening and closing phases of the gate.



FLOW REGULATOR

Oil-hydraulic operator fitted with flow regulator allowing for gate speed control during the entire opening and closing phases.



-40 °C

Technology applied to dedicated devices allowing the motor operators to be used in extremely cold environments, where temperature can go lower than -40 °C, avoiding freezing of the equipment. Specific accessories are available to meet the various application requirements:

- HELIOS 29 card for the ELPRO range of electronic control units
- thermal probe for hydraulic motor-pumps
- heating device for automatic bollards



LED

The LED technology allows to save 95% of energy and duration is 50 times higher than an incandescent lamp. High luminosity and visibility. Environment friendly, being in compliance with 2005/32/CE Directive.



RT DATA

Real Time Logic for quick response to any possible external event (weather conditions, temperature variations, mechanical frictions, etc.) that may interfere with the correct functioning of the installation. The time of data elaboration by the microprocessor is such that the electronic control board is able to increase the thrust power (motor torque) to the required level so that the closing and opening operations of the gate are always correctly performed, respecting though the safety conditions. This feature of Real Time reading has been studied in order to provide the installer with a reliable support during the phase of the installation setting.



D.S.A. - Device for Safety Auto-test

Technology allowing for the testing of the photocells connected to the installation. In case any malfunction is detected with any one of the photocells, the entire system does not work until the problem is detected and cured. This logic ensures a high level of safety.



D.A.C.S. - Device for Auto-test - Safety Edges

Technology to control the safety edges connected to the system (in compliance with the EN 12978 and EN 13849-1 Norms). Thanks to a dedicated micro-controller circuit, separately fitted on to the board, the actual integrity and correct functioning of the safety system is constantly controlled. Any possible fault or loss of efficiency is signalled by the safety edge diagnostic LEDs keeping flashing.



BATTERY

Wireless power supply by battery.



RADIO LINK

Distance extension of the radio signal of a transmitter by creating a radio link between the receivers.



ROLLING CODE

This technology ensures total reliability in radio signal transmission and cloning prevention. The transmission code changes with any pulse, and the receiver is able to assess each code by an algorithm of synchronism and verify that it is a correct one.



TRANSCEIVER

Transmission of a bidirectional radio signal, with feedback on the transmitter confirming reception of the radio receiver signal.



SOFTWARE

User interface allowing simple control and managing operations: the installer can manage data and parameters of the installation by a pc.



200° ROTATION

Infra-red safety device, 200° max. rotation on the horizontal axis.

1PH

230 Vac single-phase electric motor

3PH

230/400 Vac three-phase electric motor

HOW TO READ THE CATALOGUE

The catalogue is studied to enable the user to quickly consult it and select the product that best meets the application requirements.

If the name of the product is unknown, the *index* on page 1 can direct you to the reference page for the products in that specific family including their names.

If the item code number of the product is known, consult pages 172-175, showing the *item code numbers in a progressive order*.

If you are looking for the ideal solution to your installation, but no product name or item code number are known, consult the *pages guide to choice* included at the beginning of each section of the catalogue.

There is also the possibility that pages 164-171 be consulted to see the *installation diagrams* of the various automations.

CAPTIONS



Residential and collective use



Industrial use



Urban applications



Automations for sliding gates



Automations for swinging gates



Automations for industrial and garage doors



Automatic barriers



Command and safety electronics



Electronic control units

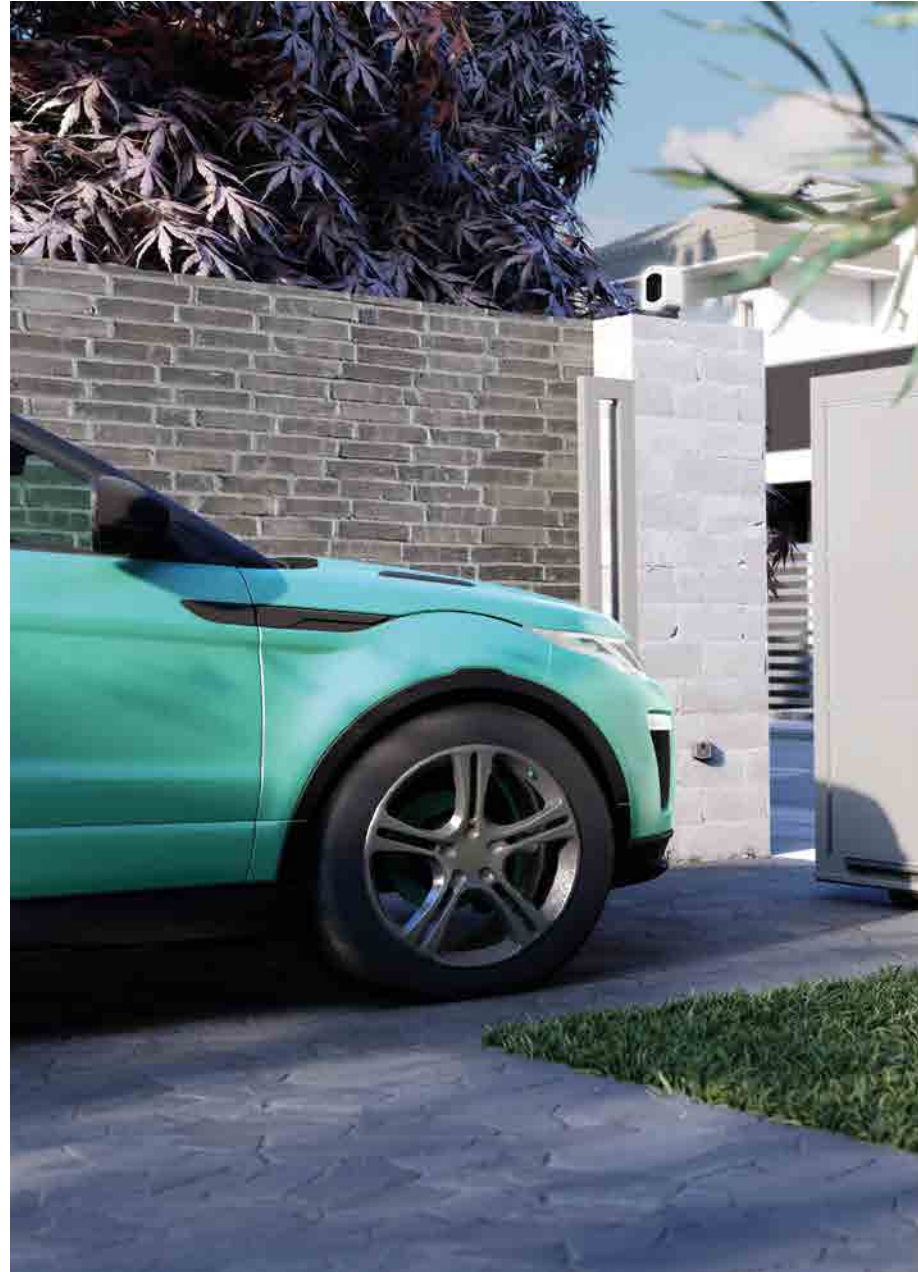


KIT automations



Gate components

Automations for
**SLIDING
GATES**





JUNIOR 624

24

JUNIOR 633

26

JUNIOR 650

28

NYOTA 115 EVO

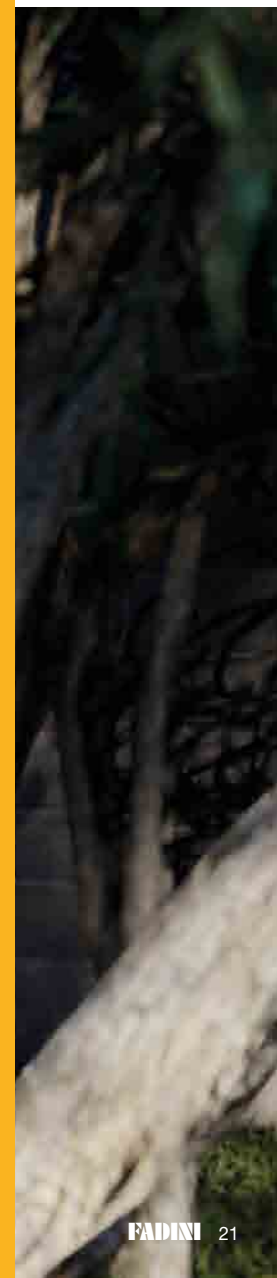
30

MEC 200

32

FIBO 300 / FIBO 400

34





GUIDE TO CHOICE



JUNIOR

624

max 400 kg
24 Vdc



NYOTA **115** EVO

0,5 HP

1PH
max 1.200 kg
230 Vac



MEC **200**

0,5 HP

1PH
max 1.200 kg
230 Vac



FIBO

300

1,5 HP
3PH
max 2.500 kg
230/400 Vac



633

max 600 kg
230 Vac



1 HP

1PH
max 1.800 kg
230 Vac



1 HP

1PH
max 1.800 kg
230 Vac



3PH
max 1.850 kg
230/400 Vac

3PH
max 1.850 kg
230/400 Vac

650

max 1.200 kg
230 Vac



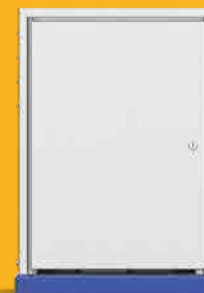
1,5 HP

3PH
max 2.000 kg
230/400 Vac



400

3 HP
3PH
max 4.000 kg
230/400 Vac







JUNIOR 624

MAX 400 kg

24 Vdc

FOR SLIDING GATES

Electromechanical geared motor operator

For residential applications

DESIGN

Modern style, the cover is fitted with a blue led light indicating status of the automation.

QUIET

24 Vdc geared motor operator, coupling of worm and plastic crown gear in oil bath, on ball bearings.

SMART AND SAFE

Gate travel is simple to program by a button, acceleration and deceleration on each cycle. Magnetic limit switch. Anti-crush system by the combined action of the encoder and amperometric detection of obstacles reversing gate travel. Release by the aluminium handle by a key.

VERSATILE

Double bi-parting sliding gate function available by selecting the master/slave option on ELPRO 62.

Pre-set for battery backup in case of power failure.

TESTED AND CERTIFIED

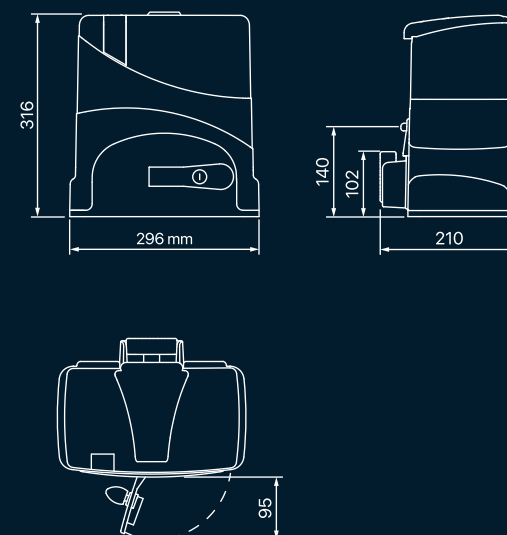
In compliance with the European Norms EN 12445 and EN 12453 and CE marking following type tests.



TECHNICAL DATA

Power supply (Vac – Hz)	230 - 50
Motor voltage (V)	24
Max. absorbed power (W)	220
Max. absorbed current (A)	6,3
Max. torque (N)	400
Motor revolutions (rpm)	3.000
Speed (m/min)	12
Gear ratio	1:61
Grade of protection IP	54
Oil type	706L
Working temperature (°C)	-20 ÷ +50
Weight (kg)	11
Frequency of use	intensive

OVERALL DIMENSIONS



JUNIOR 624

CODE	VERSION	INCORPORATED	MAX. WEIGHT (kg) [A]
624L	24 Vdc	ELPRO 62	400

Each code includes an electromechanical geared motor operator with electronic control unit, encoder to ensure anti-crush safety, pinion for the rack, anchoring base plate with hooks for ground fixing, two keys for the release handle, magnetic limit switch and a pair of limit switch brackets.

SPECIFIC ACCESSORIES



CODE	DESCRIPTION
632L	Pack of 2 x 2,6 Ah - 12 V batteries complete with cables for connections to ELPRO 62 control unit



671L	Mechanical limit switch, complete with striking plates and screws
-------------	---



2118L	Nylon gear rack m4x1.000 mm with fastening supports, metal core, complete with screws and square washers. Max 700 kg. Pack of 10 pcs.
--------------	---



706L	"FADINI UTTO oil" for gears, in 2 liter can
-------------	---



620L
ELPRO 62



JUNIOR 624 kit

[A]: The gate structure, size and possible strong winds may affect the values as indicated. Always make sure the gate is adequate to be automatically operated and remove any possible friction points.



JUNIOR 633

MAX 600 kg

230 Vac

FOR SLIDING GATES

Electromechanical geared motor operator

For residential and industrial applications



DESIGN

Modern style, the cover is fitted with a blue led light indicating status of the automation.

QUIET

230 Vac geared motor operator, coupling of worm and plastic crown gear in oil bath, on ball bearings.

SMART AND SAFE

Gate travel is simple to program by a button, acceleration and deceleration on each cycle. Magnetic limit switch. Anti-crush system by the combined action of the encoder and amperometric detection of obstacles reversing gate travel. Release by the aluminium handle by a key.

VERSATILE

Double bi-parting sliding gate function available by selecting the master/slave option on ELPRO 63.

TESTED AND CERTIFIED

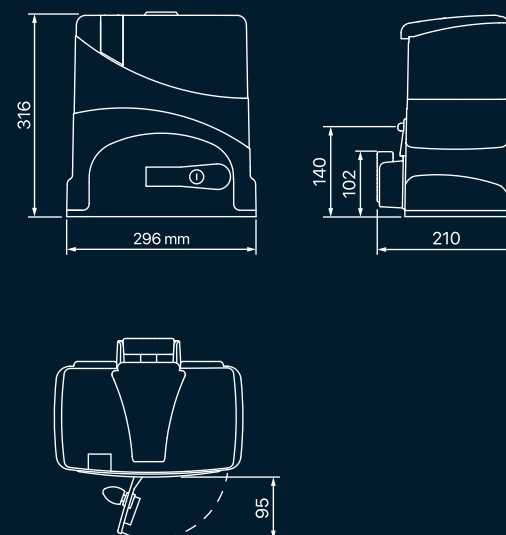
In compliance with the European Norms EN 12445 and EN 12453 and CE marking following type tests.




TECHNICAL DATA

Power supply (Vac – Hz)	230 - 50
Max. absorbed power (W)	400
Max. absorbed current (A)	2
Max. torque (N)	600
Motor revolutions (rpm)	1.350
Speed (m/min)	10
Gear ratio	1:31
Grade of protection IP	54
Oil type	706L
Working temperature (°C)	-20 ÷ +50
Motor thermal protection (°C)	160
Weight (kg)	11,3
Frequency of use	intensive

OVERALL DIMENSIONS



JUNIOR 633

CODE	VERSION	POWER (kW / HP)	INCORPORATED 	MAX. WEIGHT (kg) ^[A]
633L	230 Vac 1PH	0,25 / 0,33	ELPRO 63	600

Each code includes an electromechanical geared motor operator with electronic control unit, encoder to ensure anti-crush safety, pinion for the rack, anchoring base plate with hooks for ground fixing, two keys for the release handle, magnetic limit switch and a pair of limit switch brackets.

SPECIFIC ACCESSORIES



CODE	DESCRIPTION
671L	Mechanical limit switch, complete with striking plates and screws



2118L	Nylon gear rack m4x1.000 mm with fastening supports, metal core, complete with screws and square washers. Max 700 kg. Pack of 10 pcs.
--------------	---



706L	"FADINI UTTO oil" for gears, in 2 liter can
-------------	---



630L
ELPRO 63



JUNIOR 633 kit

[A]: The gate structure, size and possible strong winds may affect the values as indicated. Always make sure the gate is adequate to be automatically operated and remove any possible friction points.



JUNIOR 650

MAX 1.200 kg 230 Vac

FOR SLIDING GATES

Electromechanical geared motor operator
For industrial applications

DESIGN

Modern style, the cover is fitted with a blue led light indicating status of the automation.

QUIET

230 Vac geared motor operator, coupling of worm and bronze crown gear in oil bath, on ball bearings.

SMART AND SAFE

Gate travel is simple to program by a button, acceleration and deceleration on each cycle. Magnetic limit switch. Anti-crush system by the combined action of the encoder and amperometric detection of obstacles reversing gate travel. Release by the aluminium handle by a key.

VERSATILE

Double bi-parting sliding gate function available by selecting the master/slave option on ELPRO 63.

TESTED AND CERTIFIED

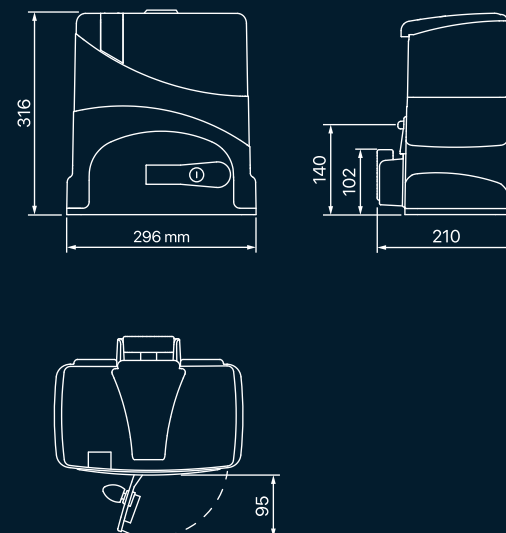
In compliance with the European Norms EN 12445 and EN 12453 and CE marking following type tests.



TECHNICAL DATA

Power supply (Vac – Hz)	230 - 50
Max. absorbed power (W)	510
Max. absorbed current (A)	2,4
Max. torque (N)	1.000
Motor revolutions (rpm)	1.350
Speed (m/min)	10
Gear ratio	1:32
Grade of protection IP	54
Oil type	706L
Working temperature (°C)	-20 ÷ +50
Motor thermal protection (°C)	160
Weight (kg)	13,5
Frequency of use	intensive

OVERALL DIMENSIONS



JUNIOR 650

CODE	VERSION	POWER (kW / HP)	INCORPORATED 	MAX. WEIGHT (kg) ^[A]
650L	230 Vac 1PH	0,37 / 0,5	ELPRO 63	1.200

Each code includes an electromechanical geared motor operator with electronic control unit, encoder to ensure anti-crush safety, pinion for the rack, anchoring base plate with hooks for ground fixing, two keys for the release handle, magnetic limit switch and a pair of limit switch brackets.

SPECIFIC ACCESSORIES



CODE	DESCRIPTION
671L	Mechanical limit switch, complete with striking plates and screws



2118L	Nylon gear rack m4x1.000 mm with fastening supports, metal core, complete with screws and square washers. Max 700 kg. Pack of 10 pcs.
--------------	---



706L	"FADINI UTTO oil" for gears, in 2 liter can
-------------	---



630L
ELPRO 63



JUNIOR 650 kit

[A]: The gate structure, size and possible strong winds may affect the values as indicated. Always make sure the gate is adequate to be automatically operated and remove any possible friction points.



NYOTA 115 EVO

FOR SLIDING GATES

Electromechanical geared motor operator
For residential and industrial applications

MAX 1.200 kg 230 Vac

MAX 1.850 kg 230/400 Vac



POWERFUL AND STYLISH

230 Vac and 400 Vac geared motor operator, coupling of worm and bronze crown gear in oil bath, on ball bearings.

RELIABLE

Aluminium gear box and cover are a total guarantee of long life over the time. Release by the aluminium handle by a key.

SAFE

Anti-crush system by the combined action of the encoder and amperometric detection of obstacles reversing gate travel.
Electronic brake, acceleration and deceleration on each cycle.

VERSATILE

Full range of models with various types of electric motors. The electronic control unit can be incorporated inside NYOTA 115 EVO or stand alone in a polycarbonate box. Gate travel is simple to program by a button. Master/slave function available for operating bi-parting sliding gates.

TESTED AND CERTIFIED

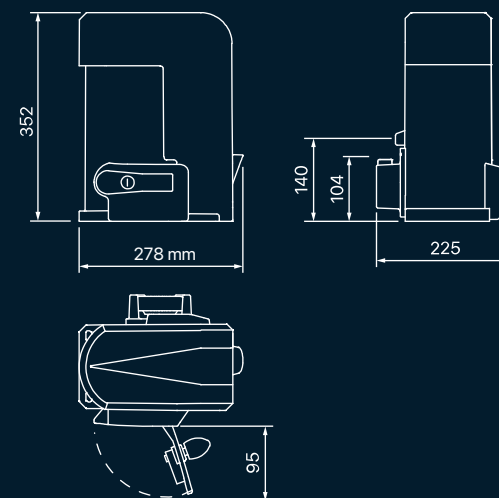
CE marking following type tests.




TECHNICAL DATA

	0,5 HP - 1PH	0,5 HP - 3PH	1 HP - 1PH	1 HP - 3PH
Power supply (Vac – Hz)	230 - 50	230/400 - 50	230 - 50	230/400 - 50
Max. absorbed power (W)	600	575	1.130	1.030
Max. absorbed current (A)	3,2	2,1/1,2	5,7	3,7/2,2
Power yield (kW)	0,37	0,37	0,73	0,73
Motor revolutions (rpm)	1.380	1.380	1.380	1.380
Capacitor (µF)	30	-	30/40	-
Rated torque (Nm)	40	40	80	80
Travel speed (m/min)	10	10	10	10
Gear ratio	1/32	1/32	1/32	1/32
Working temperature (°C)	-25 ÷ +80	-25 ÷ +80	-25 ÷ +80	-25 ÷ +80
Motor thermal protection (°C)	160	160	160	160
Limit switch	magnetic	magnetic	magnetic	magnetic
Grade of protection IP	55	55	55	55
Oil type	706L	706L	706L	706L
Weight (kg)	18,5	18	20	19,5
Frequency of use	very intensive	very intensive	very intensive	very intensive

OVERALL DIMENSIONS



NYOTA 115 EVO

CODE	VERSION	POWER (kW / HP)	INCORPORATED 	MECHANICAL CLUTCH	ENCODER	• standard	- not available
						ELECTRONIC BRAKE	MAX. WEIGHT (kg) ^[A]
1113L	230/400 Vac 3PH	0,37 / 0,5	-	•	-	•	1.250
1114L	230/400 Vac 3PH	0,73 / 1	-	•	-	•	1.850
1116L	230 Vac 1PH	0,37 / 0,5	-	•	-	•	1.200
1117L	230 Vac 1PH	0,73 / 1	-	•	-	•	1.800
1121L	230 Vac 1PH	0,37 / 0,5	ELPRO 12 EVO	-	•	•	1.200
1122L	230 Vac 1PH	0,73 / 1	ELPRO 12 EVO	-	•	•	1.800
1269L	230 Vac 1PH reversible ^[B]	0,37 / 0,5	-	•	-	•	1.200
1271L	230 Vac 1PH reversible ^[B]	0,37 / 0,5	ELPRO 12 PLUS FN	•	-	•	1.200

Each code includes an electromechanical geared motor operator with pinion for the rack, anchoring base plate with screws for ground fixing, two keys for the release handle, magnetic limit switch and a pair of limit switch brackets. Electronic control unit and encoder are included only for the code numbers as indicated in the chart.

SPECIFIC ACCESSORIES



CODE	DESCRIPTION
7069L	Polycarbonate box 110x210x295 mm for ELPRO 12 EVO, complete with connector for the encoder
7231L	LIMY 51 electronic card allowing duplication of the magnetic limit switch single contact. Only for NYOTA 115 EVO
204L	Zinc gear rack m4 30x8x1.000 mm with fixing holes
207L	Zinc gear rack m4 30x12x1.000 mm with fixing holes
208L	Gear rack fixing set including bolt and washer
2039L	Zinc gear rack m4 22x22x2.000 mm for welding
706L	"FADINI UTTO oil" for gears, in 2 liter can



7063L
ELPRO 12 EVO

7064L
ELPRO 12 PLUS FN

7087L
ELPRO 37

7180L
ELPRO 37 DS

7184L
ELPRO 37 FN

[A]: The gate structure, size and possible strong winds may affect the values as indicated. Always make sure the gate is adequate to be automatically operated and remove any possible friction points.
[B]: It is possible to open or close the gate by hand in case of power failure; no need that release handle or release spanner be operated.



MEC 200

FOR SLIDING GATES

Electromechanical operator

For industrial applications

MAX 1.800 kg 230 Vac

MAX 2.000 kg 230/400 Vac



POWERFUL

230 Vac and 400 Vac geared motor operator, coupling of worm and bronze crown gear in oil bath, on ball bearings.

RELIABLE

Aluminium gear box and cover are a total guarantee of long life over the time.

SAFE

Adjustable torque control provided by a mechanical clutch system; the discs are lubricated by multifunctional grease to improve performance.

STRONG AND COMPACT

Base plate of pressure cast aluminium.

VERSATILE

Full range of models with various types of electric motors, options with air-cooled motors and electro-brake available. Depending on the way the rack is fixed on to the gate, models with horizontal or vertical pinion are available. The electronic control unit can be incorporated inside MEC 200 or stand alone in a polycarbonate box.

TESTED AND CERTIFIED

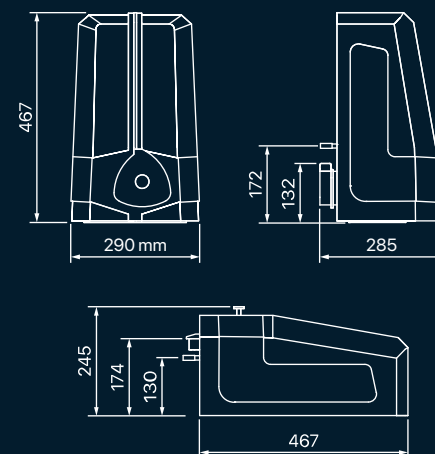
CE marking following type tests.




TECHNICAL DATA

	0,5 HP - 1PH	0,5 HP - 3PH	1 HP - 1PH	1 HP - 3PH	1,5 HP - 3PH
Power supply (Vac - Hz)	230 - 50	230/400 - 50	230 - 50	230/400 - 50	230/400 - 50
Absorbed power (W)	510	575	1.130	1.030	1.500
Absorbed current (A)	2,4	2,1/1,2	5,7	3,7/2,2	5,1/3
Power yield (kW)	0,37	0,37	0,73	0,73	1,1
Motor revolutions (rpm)	1.380	1.380	1.380	1.380	1.380
Capacitor (µF)	20	-	40	-	-
Rated torque (Nm)	40	40	80	80	110
Travel speed (m/min)	10	10	10	10	10
Gear ratio	1/32	1/32	1/32	1/32	1/32
Working temperature (°C)	-25 ÷ +80	-25 ÷ +80	-25 ÷ +80	-25 ÷ +80	-25 ÷ +80
Limit switch	mechanical	mechanical	mechanical	mechanical	mechanical
Grade of protection IP	55 [C]	55 [C]	55 [C]	55 [C]	55 [C]
Oil type	706L	706L	706L	706L	706L
Weight (kg)	19,5 o. - 19 v.	18,5 o. - 18 v.	23,5 o. - 23 v.	21,5 o. - 21 v.	25,5 o. - 25 v.
Frequency of use	very intensive	very intensive	very intensive	very intensive	very intensive

OVERALL DIMENSIONS






MEC 200

CODE	VERSION	POWER (kW / HP)	v. = vertical	o. = horizontal	• standard	- not available
			INCORPORATED 	AIR-COOLED MOTOR WITH ELECTRO-BRAKE	MAX. WEIGHT (kg) ^[A]	
1964L	230 Vac 1PH o.	0,37 / 0,5	-	-	-	1.200
1994L	230 Vac 1PH o.	0,37 / 0,5	ELPRO 70/3 Plus	-	-	1.200
197567L	230 Vac 1PH o.	0,73 / 1	-	-	•	1.800
196L	230/400 Vac 3PH o.	0,37 / 0,5	-	-	-	1.250
197L	230/400 Vac 3PH o.	0,73 / 1	-	-	-	1.850
198L	230/400 Vac 3PH o.	1,1 / 1,5	-	-	-	2.000
199L	230/400 Vac 3PH o.	0,37 / 0,5	ELPRO 70/3 Plus	-	-	1.250
19767L	230/400 Vac 3PH o.	0,73 / 1	-	-	•	1.850
19867L	230/400 Vac 3PH o.	1,1 / 1,5	-	-	•	2.000
2114L	230 Vac 1PH v.	0,37 / 0,5	-	-	-	1.200
2154L	230 Vac 1PH v.	0,37 / 0,5	ELPRO 70/3 Plus	-	-	1.200
212567L	230 Vac 1PH v.	0,73 / 1	-	-	•	1.800
211L	230/400 Vac 3PH v.	0,37 / 0,5	-	-	-	1.250
212L	230/400 Vac 3PH v.	0,73 / 1	-	-	-	1.850
213L	230/400 Vac 3PH v.	1,1 / 1,5	-	-	-	2.000
215L	230/400 Vac 3PH v.	0,37 / 0,5	ELPRO 70/3 Plus	-	-	1.250
21267L	230/400 Vac 3PH v.	0,73 / 1	-	-	•	1.850
21367L	230/400 Vac 3PH v.	1,1 / 1,5	-	-	•	2.000
7154L	230 Vac 1PH v. reversible ^[B]	0,37 / 0,5	-	-	-	1.200
7155L	230/400 Vac 3PH v. reversible ^[B]	0,37 / 0,5	-	-	-	1.250

Each code includes an electromechanical geared motor operator with mechanical clutch, pinion for the rack, anchoring base plate for ground fixing with screws, mechanical limit switch, a pair of limit switch striking plates, release spanner. Electronic control unit and air-cooled motor with electro-brake are included only for the code numbers as indicated in the chart.

SPECIFIC ACCESSORIES

	CODE	DESCRIPTION
 206L Safety switch with support for 24 Vac low voltage cut-off.	204L	Zinc gear rack m4 30x8x1.000 mm with fixing holes
 2097L Gear box for MEC 200 horizontal, complete with base plate, clutch, limit switch	207L	Zinc gear rack m4 30x12x1.000 mm with fixing holes
 2098L Gear box for MEC 200 vertical, complete with base plate, clutch, limit switch	208L	Gear rack fixing set including bolt and washer
	2039L	Zinc gear rack m4 22x22x2.000 mm for welding
	706L	"FADINI UTTO oil" for gears, in 2 liter can



7060L

ELPRO 70/3 PLUS

7087L

ELPRO 37

7180L

ELPRO 37 DS

[A]: The gate structure, size and possible strong winds may affect the values as indicated. Always make sure the gate is adequate to be automatically operated and remove any possible friction points.

[B]: It is possible to open or close the gate by hand in case of power failure; no need that release handle or release spanner be operated.

[C]: Inside the housing cover or casing.



FIBO 300

FIBO 400

MAX 2.500 kg

230/400
Vac

MAX 4.000 kg

230/400
Vac



FOR SLIDING GATES

Electromechanical operator

For industrial applications

VERSATILE

FIBO 300 geared motor operator 1,5 HP -

230/400 Vac for sliding gates up to 2.500 kg.

FIBO 400 geared motor operator 3 HP -

230/400 Vac for sliding gates up to 4.000 kg.

RELIABLE

Coupling of worm and bronze crown gear in oil bath, on ball bearings. Made safe by the mechanical clutch.

PROTECTED

The geared motor is housed in a protection casing made of steel sheet.

FUNCTIONAL

The electronic control unit ELPRO 37 HP with

power contactors is inside a polycarbonate box.

Mechanical limit switches.



TECHNICAL DATA

	1,5 HP - 3PH	3 HP - 3PH
Power supply (Vac - Hz)	230/400 - 50/60	230/400 - 50/60
Absorbed power (W)	1.500	2.800
Absorbed current (A)	5,1/3	9,4/5,4
Power yield (kW / HP)	1,1 / 1,5	2,2 / 3
Motor revolutions (rpm - Hz)	1.400 - 50 1.700 - 60	1.400 - 50 1.700 - 60
Rated torque (Hz - Nm)	50 - 300	50 - 600
Rated torque (Hz - Nm)	60 - 247	60 - 490
Travel speed (rpm - Hz - m/min)	1.400 - 50 - 10,5	1.400 - 50 - 10,5
Travel speed (rpm - Hz - m/min)	1.700 - 60 - 12,8	1.700 - 60 - 12,8
Gear ratio	1/40	1/40
Working temperature (°C)	-25 ÷ +80	-25 ÷ +80
Limit switch	mechanical	mechanical
Grade of protection IP	55 [C]	55 [C]
Oil type	706L	706L
Weight (kg)	62	89
Frequency of use	intensive	intensive

OVERALL DIMENSIONS



FIBO 300 - FIBO 400

CODE	MODEL	VERSION	POWER (kW / HP)	LIMIT SWITCH	MAX. WEIGHT (kg) [A]
3002L	FIBO 300	230/400 Vac 3PH	1,1 / 1,5	mechanical	2.500
4002L	FIBO 400	230/400 Vac 3PH	2,2 / 3	mechanical	4.000

Each code includes an electromechanical geared motor operator with mechanical clutch, pinion for the rack, base plate for ground fixing, mechanical limit switch, a pair of limit switch striking plates, protection cover, two keys to access the cover, one release spanner. The electronic control unit ELPRO 37 HP, CODE 7185L, is not included and must be ordered separately.

SPECIFIC ACCESSORIES



CODE	DESCRIPTION
2039L	Zinc gear rack m4 22x22x2.000 mm for welding



706L	"FADINI UTTO oil" for gears, in 2 liter can
-------------	---



7185L
ELPRO 37 HP

[A]: The gate structure, size and possible strong winds may affect the values as indicated. Always make sure the gate is adequate to be automatically operated and remove any possible friction points.
[C]: Inside the housing cover or casing.

Automations for
**SWINGING
GATES**





DARDO 424

40

DARDO 430

42

HINDI 880 SPRINT

44

NUPI 66

46

HINDI 880 EVO

48

MEC 800 SPECIAL

52

BART 350

56

APROLI 280 BATT

58

APROLI 280/700 ROBUSTO

60

COMBI 740

62

COMBI 787

66

DRIVE 700

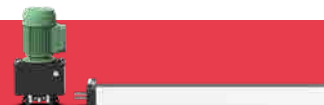
68





GUIDE TO CHOICE

ON-THE-GATE MOUNT



DARDO

424

max 400 kg
2,5 m
24 Vdc



HINDI **880** SPRINT

max 400 kg
2,3 m
230 Vac



NUPI **66**

max 400 kg
2,5 m
230 Vac



HINDI **880** EVO

150 mm
max 300 kg
1,5 m
230 Vac



MEC **800** SPECIAL

280 mm
max 400 kg
2,8 m
230 Vac



400 mm
max 700 kg
4 m
230 Vac



500 mm
max 700 kg
5 m
230 Vac



600 mm
max 800 kg
6 m
230 Vac



700 mm
max 900 kg
7 m
230 Vac



800 mm
max 1.000 kg
8 m
230 Vac



900 mm
max 1.100 kg
9 m
230 Vac



1.000 mm
max 1.200 kg
10 m
230 Vac





ON-THE-GATE MOUNT
with articulated arm



BART
350



max 300 kg
1,8 m
24 Vdc



APROLI
280 BATT



max 400 kg
2 m
230 Vac



280/700

ROBUSTO

max 400 kg
3 m
230 Vac



UNDER-THE-GROUND MOUNT



COMBI



740

max 700 kg
4 m
230 Vac



DRIVE
700



max 700 kg
4 m
230 Vac



787



max 1.000 kg
6 m
230 Vac





DARDO 424

MAX 400 kg
2,5 m 24 Vdc



FOR SWINGING GATES

Electromechanical operator on-the-gate mount
For residential applications

QUIET

24 Vdc irreversible electromechanical operator. The mechanics include a steel rolled worm screw, brass threaded nut, teflon crown gear, radial bearing and lubricated bushings.

SIMPLE

Release system for manual operations by means of the same key that also opens the protection cover.

SMART

Gate delay can be simply programmed automatically, or manually by a button in the electronic control unit ELPRO 42. Mechanical stop plates in open and closed positions, fitted to the cover and adjustable.

SAFE

Anti-crush system by the encoder and amperometric constant monitoring to ensure the correct functioning of the operator, reversing gate travel on impact with possible obstacles. Acceleration and deceleration on each cycle.

ROBUST AND COMPACT

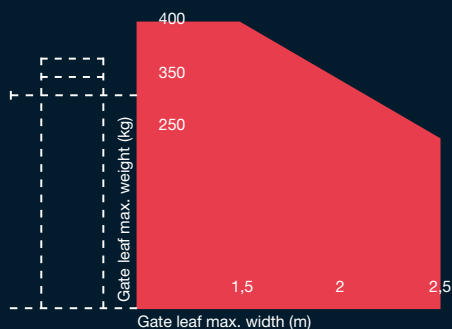
Protection cover made of pressure cast aluminium and polyester powder coating.



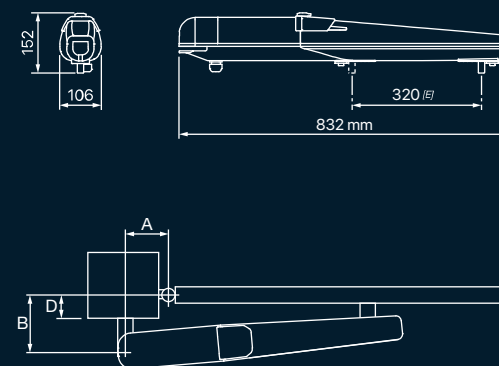
TECHNICAL DATA

Power supply (Vac – Hz)	230 - 50
Motor voltage (Vdc)	24
Max. absorbed power (W)	80
Max. absorbed current (A)	3,5
Opening time 90° (s)	16 ÷ 20 [D]
Speed (mm/s)	16 ÷ 20 [D]
Max. torque (N)	1.000
Working temperature (°C)	-20 ÷ +50
Grade of protection IP	44
Rod useful stroke (mm)	320 [E]
Weight (kg)	6,5
Frequency of use	very intensive

APPLICATIONS [A]



OVERALL DIMENSIONS



A (mm)	B (mm)	D (mm)
100-160	130-210	40-120

DARDO 424

CODE	VERSION	SINGLE GATE MAX. WIDTH (m) ^[A]	SINGLE GATE MAX. WEIGHT (kg) ^[A]
424L	24 Vdc	2,5	400

Each code includes an electromechanical operator complete with rear and front brackets fixing by screws, incorporated open and close stop plates, cable inlet gland for power supply and encoder, two keys to open the sliding lid protecting the release device. For gates wider than 2 m per leaf, an electric lock is required.



4200L
ELPRO 42



DARDO 424 kit

[A]: The gate structure, size and possible strong winds may affect the values as indicated. Always make sure the gate is adequate to be automatically operated and remove any possible friction points.

[D]: Opening and closing times depend on the fixing distances, speed adjustment and gate inertia.

[E]: Without the mechanical stops it is possible to extend travel by 60 mm, but it is required that gate stops be fitted on to the ground both in open and closed gate positions.



DARDO 430

MAX 350 kg
2,8 m 230 Vac



FOR SWINGING GATES

Electromechanical operator on-the-gate mount
For residential applications

QUIET

230 Vac irreversible electromechanical operator. The mechanics include a steel rolled worm screw, brass threaded nut, teflon crown gear, radial bearing and lubricated bushings.

SIMPLE

Release system for manual operations by means of the same key that also opens the protection cover.

SMART

Gate delay can be simply programmed automatically, or manually by a button in the electronic control unit ELPRO 43. Mechanical stop plates in open and closed positions, fitted to the cover and adjustable.

SAFE

Anti-crush system by the encoder and amperometric constant monitoring to ensure the correct functioning of the operator, reversing gate travel on impact with possible obstacles. Acceleration and deceleration on each cycle.

ROBUST AND COMPACT

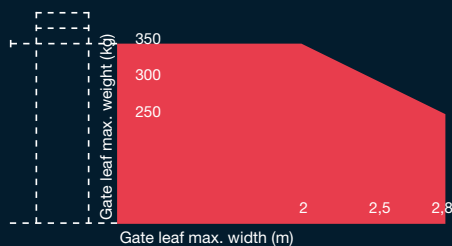
Protection cover made of pressure cast aluminium and polyester powder coating.



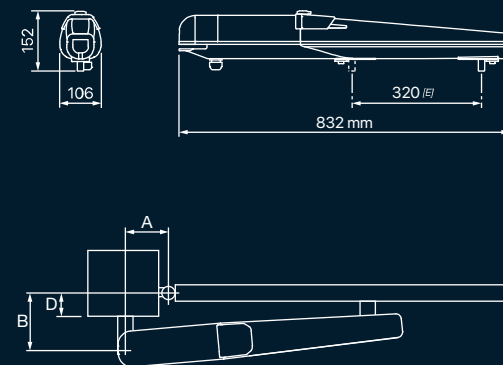
TECHNICAL DATA

Power supply (Vac – Hz)	230 - 50
Max. absorbed power (W)	300
Max. absorbed current (A)	1,7
Opening time 90° (s)	16 ÷ 20 [D]
Speed (mm/s)	16 ÷ 20 [D]
Max. torque (N)	3.000
Working temperature (°C)	-20 ÷ +50
Motor thermal protection (°C)	160
Grade of protection IP	44
Rod useful stroke (mm)	320 [E]
Weight (kg)	8
Frequency of use	semi-intensive 35%

APPLICATIONS [A]



OVERALL DIMENSIONS



A (mm)	B (mm)	D (mm)
100-160	130-210	40-120

DARDO 430

CODE	VERSION	POWER (kW / HP)	SINGLE GATE MAX. WIDTH (m) ^[A]	SINGLE GATE MAX. WEIGHT (kg) ^[A]
430L	230 Vac 1PH	0,24 / 0,33	2,8	350

Each code includes an electromechanical operator complete with rear and front brackets fixing by screws, incorporated open and close stop plates, cable inlet gland for power supply and encoder, two keys to open the sliding lid protecting the release device. For gates wider than 2 m per leaf, an electric lock is required.



4300L
ELPRO 43



DARDO 430 kit

[A]: The gate structure, size and possible strong winds may affect the values as indicated. Always make sure the gate is adequate to be automatically operated and remove any possible friction points.

[D]: Opening and closing times depend on the fixing distances, speed adjustment and gate inertia.

[E]: Without the mechanical stops it is possible to extend travel by 60 mm, but it is required that gate stops be fitted on to the ground both in open and closed gate positions.



HINDI 880 SPRINT

MAX 400 kg
2,3 m 230 Vac



FOR SWINGING GATES

Oil-hydraulic operator on-the-gate mount

For residential and collective applications

OIL-HYDRAULIC

Anti-crush safety ensured by the two by-pass valves incorporated in the actuator. Easy release system by special key.

ROBUST

Structure entirely made of aluminium. Simple to install and adjust. It comes in a kit format including the accessories.

VERSATILE

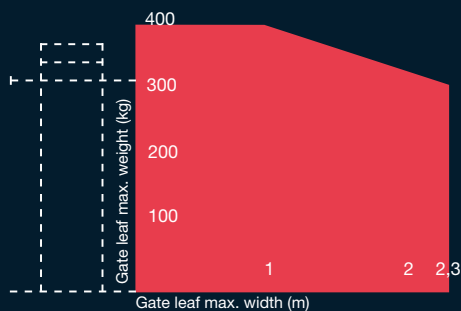
Several options are available such as reversible non locking, locking by hydraulic device in closed gate position or double locking.



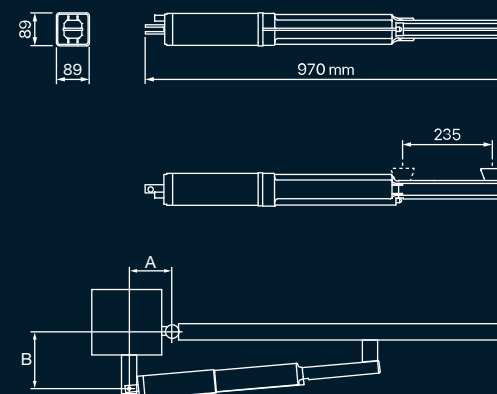
TECHNICAL DATA

Power supply (Vac – Hz)	230 - 50
Absorbed power (W)	250
Power yield (W)	180
Max. absorbed current (A)	1,2
Rod stroke (mm)	235
Rod diameter (mm)	16
Linear speed opening/closing (mm/s)	~ 16
Opening force (N)	0 ÷ 5.100
Closing force (N)	0 ÷ 6.200
Working temperature (°C)	-25 ÷ +80 [F]
Oil type	708L
Grade of protection IP	67
Frequency of use	intensive
Weight (kg)	9,5

APPLICATIONS [A]



OVERALL DIMENSIONS



A (mm)

110

B (mm)

110

HINDI 880 SPRINT

CODE	VERSION	POWER (kW / HP)	HYDRAULIC LOCKING	SINGLE GATE MAX. WIDTH (m) [A]	SINGLE GATE MAX. WEIGHT (kg) [A]
887L	230 Vac 1PH	0,18 / 0,25	reversible	2,3	400
888L	230 Vac 1PH	0,18 / 0,25	on gate closed	2,3	400
889L	230 Vac 1PH	0,18 / 0,25	bidirectional	2,3	400

Each code includes an oil-hydraulic operator complete with rear and front fixing brackets to weld, electric power supply cable and release key. The cover of HINDI 880 SPRINT can be either left- or right-handed. For gates wider than 2 m per leaf, an electric lock is required. With non locking (reversible) models an electric lock is always needed.

SPECIFIC ACCESSORIES



CODE	DESCRIPTION
708L	"FADINI HF.PLI oil" for hydraulic systems, in 2 liter can



7047L
ELPRO 27



HINDI 880 SPRINT kit

[A]: The gate structure, size and possible strong winds may affect the values as indicated. Always make sure the gate is adequate to be automatically operated and remove any possible friction points.
[F]: -40 °C with specific optional accessories, see page 16.



NUPI 66

MAX 400 kg
2,5 m 230 Vac



FOR SWINGING GATES

Oil-hydraulic operator on-the-gate mount

For residential and collective applications



SAFE

Oil-hydraulic actuator with an innovative valve assembly allowing for the thrust power to be controlled by the electronics. Incorporated capacitor. Stylish design and choice of high quality materials to make it highly resistant to weather conditions.

EASY TO INSTALL AND ADJUST

Available in KIT complete with accessories.

PRACTICAL

Quick-to-respond release system by key.

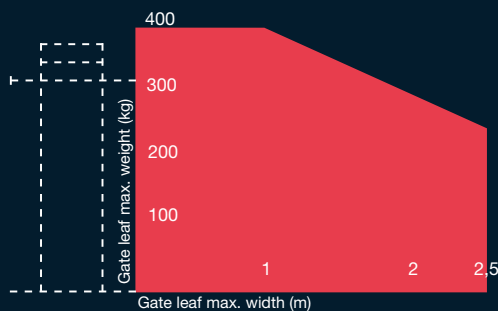
TESTED AND CERTIFIED

CE marking following type tests.

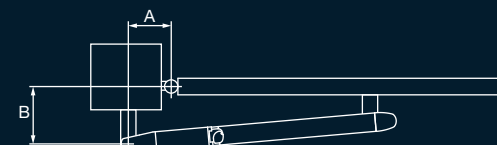
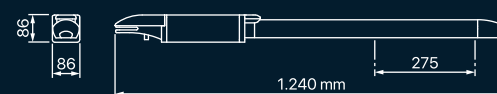
TECHNICAL DATA

Power supply (Vac – Hz)	230 - 50
Absorbed power (W)	250
Power yield (W)	180
Max. absorbed current (A)	1,2
Rod stroke (mm)	235
Rod diameter (mm)	16
Linear speed opening/closing (mm/s)	~ 16
Opening force (N)	0 ÷ 5.100
Closing force (N)	0 ÷ 6.200
Working temperature (°C)	-25 ÷ +80 [F]
Oil type	708L
Grade of protection IP	67
Frequency of use	intensive
Weight (kg)	9,5

APPLICATIONS [A]



OVERALL DIMENSIONS



A (mm) B (mm)

130

130

NUPI 66

CODE	VERSION	POWER (kW / HP)	HYDRAULIC LOCKING	SINGLE GATE MAX. WIDTH (m) [A]	SINGLE GATE MAX. WEIGHT (kg) [A]
661L	230 Vac 1PH	0,18 / 0,25	on gate closed	2,5	400

Each code includes an oil-hydraulic operator complete with rear and front fixing brackets to weld and two release keys. For gates wider than 2 m per leaf, an electric lock is required.

SPECIFIC ACCESSORIES



CODE	DESCRIPTION
708L	"FADINI HF.PLI oil" for hydraulic systems, in 2 liter can



6610L
ELPRO 7 RP



NUPI 66 kit

[A]: The gate structure, size and possible strong winds may affect the values as indicated. Always make sure the gate is adequate to be automatically operated and remove any possible friction points.
[F]: -40 °C with specific optional accessories, see page 16.



HINDI 880^{EVO}

MAX 550 kg
4,5 m 230 Vac



FOR SWINGING GATES

Oil-hydraulic operator on-the-gate mount

For residential, collective and industrial applications



OIL-HYDRAULIC

The innovative EVO valve design allows, in a single model, to configure the hydraulic locking device as required:

- N** reversible non locking
- A** locking in open position
- B** locking in closed position
- BB** bidirectional locking.

Hydraulic slowdown (braking) in opening only, in closing only, in opening and closing, or non braking at all.

FUNCTIONAL

Anti-crush safety ensured by the two by-pass valves incorporated in the actuator. Easy release system by customized key.

QUALITY

Stylish design, external structure made of extruded anodized aluminium and accurate selection of high quality materials to ensure the utmost resistance to weather conditions. Easy to install: an adjustable ball bearing ring provides fixing on to the gate.

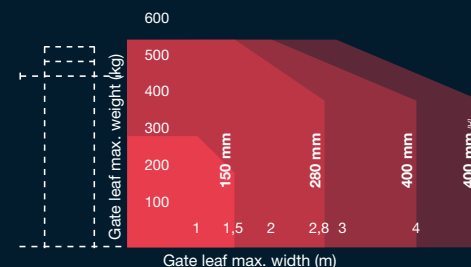
TESTED AND CERTIFIED

CE marking following type tests.

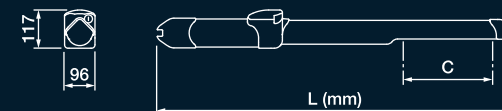
TECHNICAL DATA

	150	280	400
Rod stroke (mm)	150	280	400
Power supply (Vac – Hz)	230 – 50	230 – 50	230 – 50
Absorbed power (W)	250	250	250
Power yield (W)	180	180	180
Max. absorbed current (A)	1,2	1,2	1,2
Pump flow rate (l/min)	1,4 (P5)	1,4 (P5) 0,85 (P3)	1,4 (P5) 0,85 (P3)
Rod diameter (mm)	20	20	20
Linear speed opening (mm/s)	~ 15	~ 17 (P5) ~ 11 (P3)	~ 17 (P5) ~ 11 (P3)
Linear speed closing (mm/s)	~ 14	~ 14 (P5) ~ 9 (P3)	~ 14 (P5) ~ 9 (P3)
Opening force (N)	0 ÷ 4.000	0 ÷ 4.200 (P5) 0 ÷ 4.700 (P3)	0 ÷ 4.200 (P5) 0 ÷ 4.700 (P3)
Closing force (N)	0 ÷ 5.600	0 ÷ 5.400 (P5) 0 ÷ 6.300 (P3)	0 ÷ 5.200 (P5) 0 ÷ 6.300 (P3)
Working temperature (°C)	-25 ÷ +80 [F]	-25 ÷ +80 [F]	-25 ÷ +80 [F]
Oil type	708L	708L	708L
Grade of protection IP	67	67	67
Frequency of use	very intensive	very intensive	very intensive
Weight (kg)	9,5	11	14

APPLICATIONS [A]



OVERALL DIMENSIONS



C (actual stroke)	145	275	395
L	830	1.094	1.374

HINDI 880 EVO

CODE	STROKE (mm)	EVO HYDRAULIC LOCKING DEVICE	BRAKING SLOWDOWN	OPENING TIME (s) ^[G]	PUMP	• standard	- not available
						SINGLE GATE MAX. WIDTH (m) ^[A]	SINGLE GATE MAX. WEIGHT (kg) ^[A]
870P5L	150	•	-	~10	P5 fast	1,5	300
87084P5L	150	•	•	~10 + TR ^[J]	P5 fast	1,5	300
880P5L	280	•	-	~17	P5 fast	2,8	550
88084P5L	280	•	•	~17 + TR ^[J]	P5 fast	2,8	550
880P3L	280	•	-	~26	P3 slow	3,2	550
88084P3L	280	•	•	~26 + TR ^[J]	P3 slow	3,2	550
890P5L	400	•	-	~26	P5 fast	4	550
89084P5L	400	•	•	~26 + TR ^[J]	P5 fast	4	550
890P3L	400	•	-	~37	P3 slow	4,5	550
89084P3L	400	•	•	~37 + TR ^[J]	P3 slow	4,5	550
884P3L ^[H]	400	-	-	~ 45	P3 slow	8	550
88484P3L ^[H]	400	-	•	~45 + TR ^[J]	P3 slow	8	550

Each code includes an oil-hydraulic actuator complete with rear and front plates to weld, protection cover with tightening spanner, two keys to open the sliding lid, one release key, rear end cap and electric power supply cable.

[A]: the gate structure, size and possible strong winds may affect the values as indicated. Always make sure the gate is adequate to be automatically operated and remove any possible friction points.

[F]: -40 °C with specific optional accessories, see page 16.

[G]: The value indicated is an average time, it can change depending on external factors.

[H]: Oil-hydraulic actuator fitted with EVO valve assembly without chance of hydraulic locking configuration: the actuator is always reversible, non locking.

[J]: TR is the slowdown time, a value changing according to the adjustment made on the actuator.



HINDI 880 EVO

TECHNICAL NOTES

- For gates wider than 2 m per leaf it is required that an electric lock be fitted.
- With gate leaves wider than 4 m, the reversible version (no hydraulic locking device) is recommended plus an electric lock on the gate.
- With all HINDI 880 EVO actuators whose valve configuration is reversible (no hydraulic locking device), an electric lock is required on to the gate.
- On request, HINDI 880 EVO P10 faster (twice as much approx.) than P5 model: it is advisable to consult our technical office for such installations.

SPECIFIC ACCESSORIES

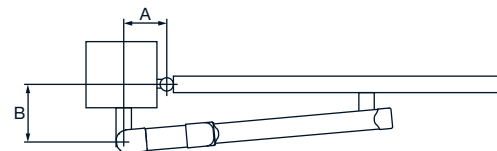
CODE	DESCRIPTION
 8310L	120 x 120 mm zinc-coated plate to weld, for the front fixing bracket
 8311L	150 x 150 mm zinc-coated plate to weld, for the rear fixing bracket
 8312L	84 x 84 mm zinc-coated plate
 708L	"FADINI HF.PLI oil" for hydraulic systems, in 2 liter can

**7047L**

ELPRO 27

INSTALLATION DISTANCES

Stroke (mm)	OPENING 95°		OPENING 120°	
	A	B	A	B
150	60	80	-	-
280	130	130	130	85
280 braking	120	130	130	80
400	210	180	190	120
400 braking	200	160	200	90







MEC 800 SPECIAL

MAX 1.200 kg
10 m 230 Vac



FOR SWINGING GATES

Oil-hydraulic actuator for on-the-gate mount with separate oil-hydraulic motor-pump

For industrial applications

SOLID

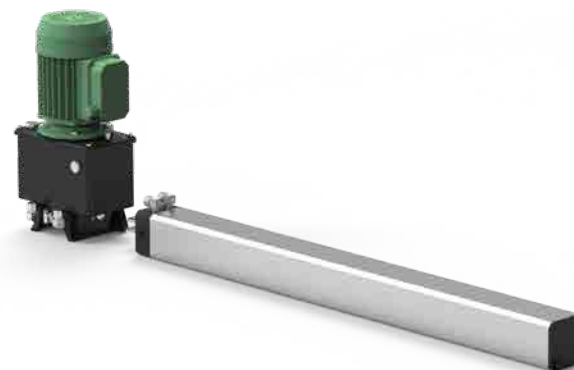
Capable of operating large, (even in-filled) gates, doors and trap doors without limit of operations.

COMPLETE RANGE

Piston stroke options available up to 1.000 mm. Hydraulic slowdown (braking) on opening/closing (optional). It is possible that even two actuators can be fitted on to one single gate by using the double-tank, oil-hydraulic motor-pump unit.

RELIABLE

Each component is of extremely high quality level and made to endure any weather conditions. Release by special spanner on the hydraulic motor-pump.



TECHNICAL DATA

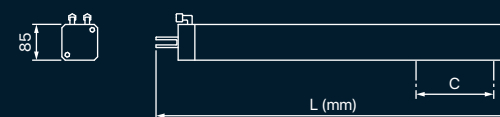
MEC 700/80 VENTIL MOTOR-PUMP

Power supply (Vac – Hz)	230 - 50
Absorbed power (W)	510
Absorbed current (A)	2,4
Max. pressure (atm)	40
Working temperature (°C)	-25 ÷ +80 [F]
Grade of protection IP	65 [C]
Hydraulic pump flow rate (l/min)	1,6 [P6] 2,6 [P12]
Oil type	708L
Frequency of use	intensive
Weight – code 7014P6L (kg)	10
Weight – code 7012L (kg)	5,5
Weight – code 7037L (kg)	7,2

ACTUATOR MEC 800 SPECIAL

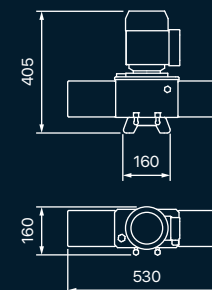
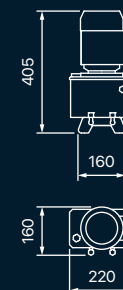
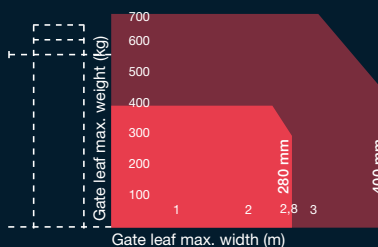
Rod diameter (mm)	22
Piston stroke (mm)	280 / 400 / 500 / 600 / 700 / 800 / 900 / 1.000 mm
Force (N)	0 ÷ 7.000 N

OVERALL DIMENSIONS



C (actual stroke)	280	400
L	840	1.070

APPLICATIONS [A]



MEC 800 SPECIAL

• standard

- not available

CODE	ROD STROKE (mm)	BRAKING SLOWDOWN	SINGLE GATE MAX. WIDTH (m) ^[A] ^[J]	SINGLE GATE MAX. WEIGHT (kg) ^[A]
7012L	280	-	2,8	400
701284L	280	on opening / closing	2,8	400
7037L	400	-	4	700
703784L	400	on opening / closing	4	700
7114L	500	-	5	700
711484L	500	on opening / closing	5	700
7115L	600	-	6	800
711584L	600	on opening / closing	6	800
7116L	700	-	7	900
711684L	700	on opening / closing	7	900
7117L	800	-	8	1.000
711784L	800	on opening / closing	8	1.000
7118L	900	-	9	1.100
711884L	900	on opening / closing	9	1.100
7119L	1.000	-	10	1.200
711984L	1.000	on opening / closing	10	1.200

Each code includes a double-acting oil-hydraulic actuator complete with rear and front fixing plates to weld, joints and protection cover.

MEC 700/80 VENTIL

CODE	HYDRAULIC LOCKING	PUMP	RESERVOIR TYPE
7014P6L	reversible	P6 slow	single
7014P12L	reversible	P12 fast	single
7022P6L	bidirectional	P6 slow	single
7022P12L	bidirectional	P12 fast	single
701486P6L	reversible	P6 slow	double
701486P12L	reversible	P12 fast	double
702286P6L	bidirectional	P6 slow	double
702286P12L	bidirectional	P12 fast	double

Each code includes an oil-hydraulic motor-pump complete with joints, manual release knob and electric cable for power supply.

[A]: The gate structure, size and possible strong winds may affect the values as indicated. Always make sure the gate is adequate to be automatically operated and remove any possible friction points.

[C]: Inside the housing cover or casing.

[F]: -40 °C with specific optional accessories, see page 16.

[J]: For gate leaves wider than 5 m it is recommended that the gate structure be carefully assessed: gate post and rotation hinges must be adequate to support the gate weight and inertia during the complete cycles of opening and closing.

MEC 800 SPECIAL

TECHNICAL NOTES

- An electric lock is always recommended with gate leaves wider than 2 m.
- The hydraulic motor-pump unit fitted with a P12 pump operates a gate at a speed that is twice as much as that of a P6 pump (recommended version). Speed varies according to the type of actuator MEC 800 SPECIAL used and gate inertia.
- Installations with two actuators on single-leaf gates (max 400 mm piston stroke) require that the double-tank oil-hydraulic motor-pump be used.
- The double-tank motor-pump unit is also required with 500 - 600 - 700 - 800 - 900 - 1.000 mm piston strokes.
- The reversible (non locking) oil-hydraulic motor-pump unit requires an electric lock on the gate.

INSTALLATION DISTANCES

Stroke (mm)	A	B	D	Motor run time
280	140	125	70	~ 28 s
280 braking	110	130	70	~ 28 s + TR [I]
400	180	200	130	~ 44 s
400 braking	170	180	120	~ 44 s + TR [I]
500	240	240	170	~ 45 s
500 braking [K]	220	220	150	~ 45 s + TR [I]
600 braking [K]	150	380	[K]	~ 54 s + TR [I]
700 braking [K]	180	450	[K]	~ 63 s + TR [I]
800 braking [K]	200	520	[K]	~ 72 s + TR [I]
900 braking [K]	230	580	[K]	~ 81 s + TR [I]
1.000 braking [K]	240	670	[K]	~ 90 s + TR [I]



[I]: TR is the slowdown time, a value changing according to the adjustment made on the actuator.

[K]: The installation distances for the special strokes are meant to make the most of the slowdown on opening and closing. For these actuators contact our technical office in advance and provide the structural dimensions of the gate to be automated.

MEC 800 SPECIAL

SPECIFIC ACCESSORIES



CODE	DESCRIPTION
705L	Copper tube ø 8 mm - 50 m (12,5 kg)
707L	Copper tube ø 8 mm - 4 m (1 kg)
7013L	4-way pipe connecting block
7016L	Zinc-coated metal sheet protection casing for the single-tank oil-hydraulic motor pump MEC 700/80 VENTIL, complete with fastening support. Dimensions (mm): 250x350xh460
7018L	Flexible pipe x 0,6 m
7019L	Flow regulator with connecting joints
7025L	Zinc-coated metal sheet protection enclosure for the double-tank oil-hydraulic motor pump MEC 700/80 VENTIL, complete with fastening support. Dimensions (mm): 250x590xh460
7038L	6-way pipe connecting block
9730L	Thermal probe with 230 Vac - 50 Hz electric resistor, complete with power supply cable, for the oil-hydraulic motor-pump MEC 700/80 VENTIL and COS 982. Factory-fitted.
708L	Hydraulic "FADINI HF.PLI oil", in 2 liter can



7047L
ELPRO 27



BART 350

MAX 300 kg
1,8 m 24 Vdc



FOR SWINGING GATES

On-the-gate mount, irreversible, electromechanical operator with articulated arm

For residential use

DESIGN

Modern style with a blue LED lamp on the cover to indicate the gate operator status.

QUIET

24 Vdc irreversible geared motor operator on ball bearings.

SMART

Simple automatic programming by pulsing a button to set opening time and slowdown time on gate stops or limit switches. Manual programming of the gate delay times.

SAFE

Crush preventing system by encoder and constant amperometric monitoring to ensure the correct

functioning of the operator, detecting obstacles and reversing gate travel.

STRONG AND COMPACT

Zinc-coated steel fixing plate. Shearing preventing, zinc-coated steel arm either articulated or sliding on a guide. Limit switch micro-switch and gate stop in open gate (standard) and in closed gate (optional) positions. Overriding by handle and key.

TESTED AND CERTIFIED

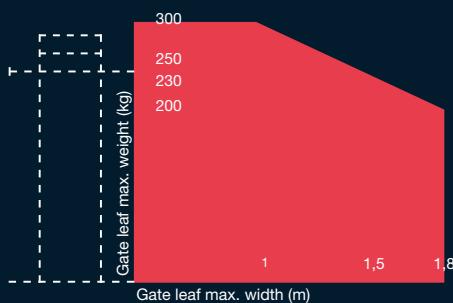
In compliance with EN 12445 and EN 12453 European Norms.



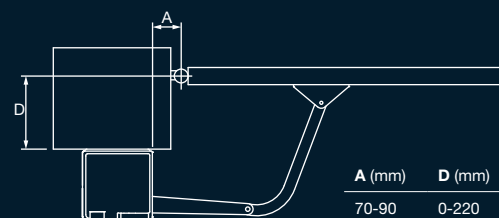
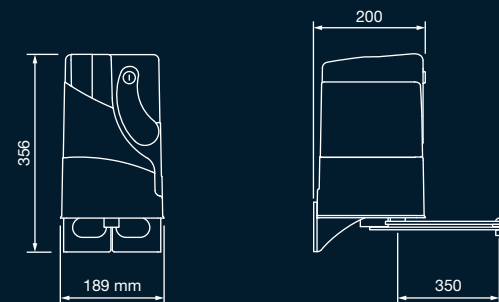
TECHNICAL DATA

Power supply (Vac – Hz)	230 - 50
Motor voltage (Vdc)	24
Absorbed power (W)	150
Absorbed current (A)	5
Max. torque (Nm)	180
Opening-closing time (s)	16 (95°)
Working temperature (°C)	-20 ÷ +50
Grade of protection IP	53
Kind of lubrication	grease
Weight (kg)	10
Frequency of use	intensive

APPLICATIONS ^[A]



OVERALL DIMENSIONS



BART 350

CODE	VERSION	INCORPORATED 	SINGLE GATE MAX. WIDTH (m) ^[A]	SINGLE GATE MAX. WEIGHT (kg) ^[A]
351L	BART 350 Master 24 Vdc	ELPRO 35M	1,8	300
352L	BART 350 Slave 24 Vdc	ELPRO 35S	1,8	300

Each code includes an electromechanical geared motor operator complete with fixing plate, two cams and three limit switch micro-switches, mechanical gate stop in open gate position, two keys for the release handle and electronic control board (ELPRO 35M for code 351L or ELPRO 35S for code 352L).

SPECIFIC ACCESSORIES

	CODE	DESCRIPTION
	358L	Zinc-coated steel articulated arm
	359L	Zinc-coated steel straight arm with sliding guide
	360L	Mechanical gate stop in closed gate position, with fixing screws



3518L
ELPRO 35M

3519L
ELPRO 35S



BART 350 kit

[A]: The gate structure, size and possible strong winds may affect the values as indicated. Always make sure the gate is adequate to be automatically operated and remove any possible friction points.



APROLI 280 BATT

MAX 400 kg
2 m 230 Vac



FOR SWINGING GATES

On-the-gate mount, oil-hydraulic operator with articulated arm

For residential and collective use

DISCREET

For installation on gates where large pillars are involved: capable of a powerful though quiet action. Easy to install.

OIL-HYDRAULIC

Wide range of versions to meet any installation requirements: reversible non locking, locking by an oil-hydraulic valve device in opening and closing, with flow regulator.

SAFE

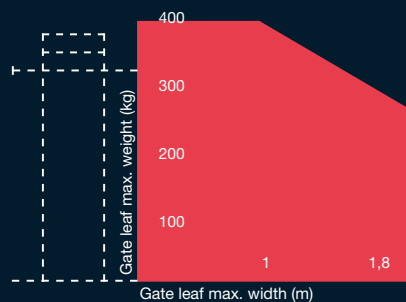
Cataphoresis treated, pressure cast aluminium, shearing preventing articulated arm. Manual override accessed by key. Anti-crush safety ensured by the by-pass valves incorporated in the operator.



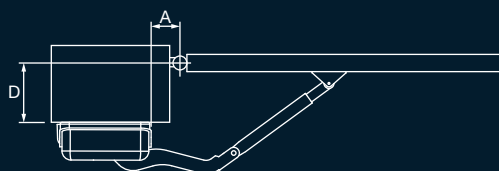
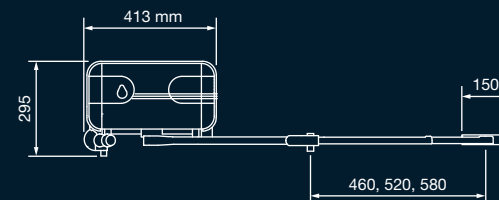
TECHNICAL DATA

Power supply (Vac – Hz)	230 - 50
Absorbed power (W)	250
Absorbed current (A)	1,2
Power yield (kW / HP)	0,18 / 0,25
Torque (Nm)	220 - 300
Shaft rotation	205°
Opening time (s)	23
Working temperature (°C)	-20 ÷ +80 [F]
Grade of protection IP	67
Oil type	708L
Weight including arm (kg)	15
Frequency of use	semi-intensive

APPLICATIONS [A]



OVERALL DIMENSIONS



A (mm)	D (mm)
70	200-500

APROLI 280 BATT

CODE	HYDRAULIC LOCKING	FLOW REGULATOR	ARTICULATED ARM	• standard	- not available
				SINGLE GATE MAX. WIDTH (m) ^[A]	SINGLE GATE MAX. WEIGHT (kg) ^[A]
281L	bidirectional	-	•	2	400
282L	bidirectional	-	-	2	400
285L	reversible	-	•	2	400
286L	reversible	-	-	2	400
287L	bidirectional	•	•	2	400

Each code includes an oil-hydraulic operator complete with cover, extendable articulated arm (where indicated), fixing bracket, two keys to access the release device. For the hydraulic non-locking (reversible) models, an electric lock is required.

SPECIFIC ACCESSORIES



CODE	DESCRIPTION
283L	Extendable articulated arm
708L	Hydraulic "FADINI HF.PLI oil", in 2 liter can



7047L

ELPRO 27

[A]: The gate structure, size and possible strong winds may affect the values as indicated. Always make sure the gate is adequate to be automatically operated and remove any possible friction points.
[F]: -40 °C with specific optional accessories, see page 16.



APROLI 280/700 ROBUSTO

MAX 400 kg
3 m 230 Vac



FOR SWINGING GATES

On-the-gate mount, oil-hydraulic operator with articulated arm

For residential and industrial use

DISCREET

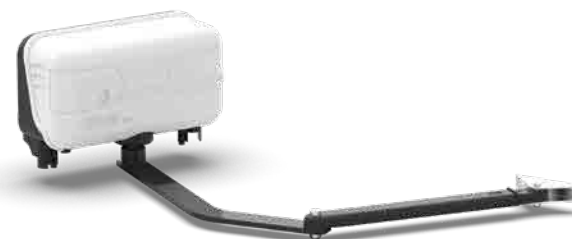
For installation on gates where large pillars are involved: capable of a powerful though quiet action. Easy to install.

OIL-HYDRAULIC

Anti-crush safety ensured by the by-pass valves incorporated in the operator. Available with bidirectional oil-hydraulic locking device (irreversible).

STRONG

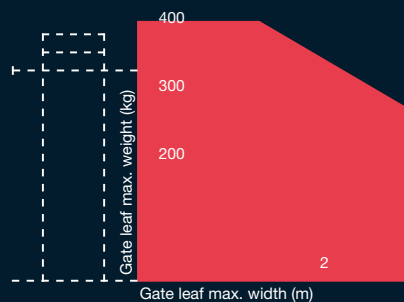
Cataphoresis treated steel, shearing preventing articulated arm. Manual override accessed by key.



TECHNICAL DATA

Power supply (Vac – Hz)	230 - 50
Absorbed power (W)	250
Absorbed current (A)	1,2
Power yield (kW / HP)	0,18 / 0,25
Torque (Nm)	250-400
Shaft rotation	130°
Opening time (s)	23
Working temperature (°C)	-20 ÷ +80 [F]
Grade of protection IP	67
Oil type	708L
Weight including arm (kg)	19
Frequency of use	semi-intensive

APPLICATIONS [A]

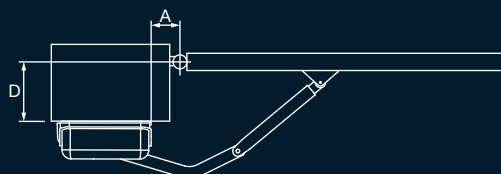
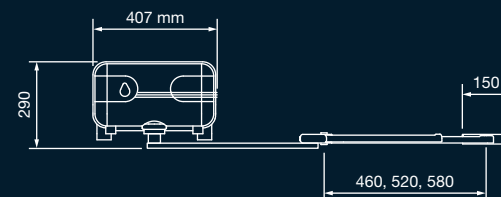


APROLI 280/700
LEFT-HANDED



APROLI 280/700
RIGHT-HANDED

OVERALL DIMENSIONS



A (mm)	D (mm)
70	150-450

APROLI 280/700 ROBUSTO

CODE	VERSION	HYDRAULIC LOCKING	ARTICULATED ARM	• standard	- not available
				SINGLE GATE MAX. WIDTH (m) ^[A]	SINGLE GATE MAX. WEIGHT (kg) ^[A]
298DXL	right-handed	bidirectional	•	3	400
298SXL	left-handed	bidirectional	•	3	400

Each code includes an oil-hydraulic operator complete with cover, extendable articulated arm, fixing bracket, two keys to access the release device. With gate leaves wider than 2 m it is required that an electric lock be fitted on to the gate.

SPECIFIC ACCESSORIES



CODE	DESCRIPTION
299DXL	Right-handed extendable articulated arm
299SXL	Left-handed extendable articulated arm
708L	Hydraulic "FADINI HF.PLI oil", in 2 liter can



7047L

ELPRO 27

[A]: The gate structure, size and possible strong winds may affect the values as indicated. Always make sure the gate is adequate to be automatically operated and remove any possible friction points.
[F]: -40 °C with specific optional accessories, see page 16.



COMBI 740

MAX 700 kg
4 m 230 Vac



FOR SWINGING GATES

Under-the-ground mount oil-hydraulic operator
For residential and industrial applications

DISCREET, STRONG AND INVISIBLE

All-in-one, oil-hydraulic operator made up of a hydraulic motor-pump unit and an integrated cylinder (jack), housed inside a foundation box made of treated steel (3 mm thickness and electrolytic galvanization) ensuring high resistance to corrosion. Foundation box (enclosure) available in AISI 304 stainless steel option. No particular maintenance required.

OIL-HYDRAULIC

Wide range of versions (right- and left-handed) to meet any installation requirements: reversible without hydraulic locking device, irreversible with bidirectional hydraulic locking device, with hydraulic slowdown (braking) in opening and closing and with

flow regulator. Anti-crush safety ensured by the by-pass valves fitted on to the operator. 110° or 175° shaft rotation options; quiet and reliable operations.

SAFE

Pressed steel emergency release bracket, easy to operate from both inside and outside the gate by means of a specially designed spanner with ergonomic grip.

TESTED AND CERTIFIED

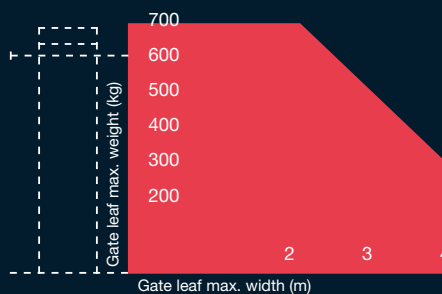
CE marking following type tests.



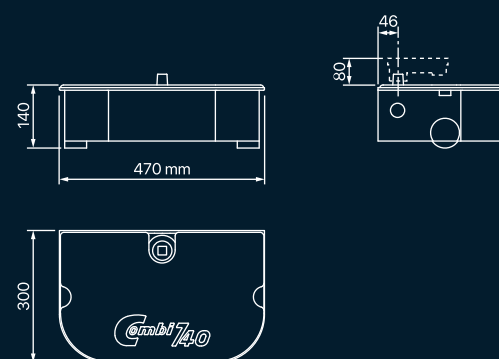
TECHNICAL DATA

Power supply (Vac – Hz)	230 - 50
Absorbed power (W)	250
Absorbed current (A)	1,2
Power yield (kW / HP)	0,18 / 0,25
Torque (Nm)	250-400
Working temperature (°C)	-20 ÷ +80 [F]
Grade of protection IP	67
Oil type	708L
Opening/closing time (s)	~ 23 [110°] ~ 28 [175°]
Weight including box (kg)	27
Frequency of use	intensive

APPLICATIONS [A]



OVERALL DIMENSIONS



COMBI 740 110°

• standard

- not available

CODE	VERSION	BIDIRECTIONAL HYDRAULIC LOCKING (irreversible)	SLOWDOWN BRAKING	FLOW REGULATOR	SINGLE GATE MAX. WIDTH (m) ^[A]	SINGLE GATE MAX. WEIGHT (kg) ^[A]
767N3DXL	right	-	-	-	3	700
767N3SXL	left	-	-	-	3	700
7677BB3DXL	right	•	-	-	3	700
7677BB3SXL	left	•	-	-	3	700
76778BB3DXL	right	•	•	-	4	700
76778BB3SXL	left	•	•	-	4	700
767789BB3DXL	right	•	•	•	4	700
767789BB3SXL	left	•	•	•	4	700
76779BB3DXL	right	•	-	•	4	700
76779BB3SXL	left	•	-	•	4	700
7678N3DXL	right	-	•	-	4	700
7678N3SXL	left	-	•	-	4	700
76789N3DXL	right	-	•	•	4	700
76789N3SXL	left	-	•	•	4	700
7679N3DXL	right	-	-	•	4	700
7679N3SXL	left	-	-	•	4	700

Each code includes an oil-hydraulic operator complete with electric power supply cable.
 With those codes that include the letter "N" (non locking - reversible) an electric lock is needed.
 With gate leaves wider than 2 m, an electric lock is also required.





COMBI 740 175°

• standard

- not available

CODE	VERSION	BIDIRECTIONAL HYDRAULIC LOCKING (irreversible)	SLOWDOWN BRAKING	FLOW REGULATOR	SINGLE GATE MAX. WIDTH (m) ^[A]	SINGLE GATE MAX. WEIGHT (kg) ^[A]
769N3DXL	right	-	-	-	3	700
769N3SXL	left	-	-	-	3	700
7697BB3DXL	right	•	-	-	3	700
7697BB3SXL	left	•	-	-	3	700
76978BB3DXL	right	•	•	-	4	700
76978BB3SXL	left	•	•	-	4	700
769789BB3DXL	right	•	•	•	4	700
769789BB3SXL	left	•	•	•	4	700
76979BB3DXL	right	•	-	•	4	700
76979BB3SXL	left	•	-	•	4	700
7698N3DXL	right	-	•	-	4	700
7698N3SXL	left	-	•	-	4	700
76989N3DXL	right	-	•	•	4	700
76989N3SXL	left	-	•	•	4	700
7699N3DXL	right	-	-	•	4	700
7699N3SXL	left	-	-	•	4	700

Each code includes an oil-hydraulic operator complete with electric power supply cable.
 With those codes that include the letter "N" (non locking - reversible) an electric lock is needed.
 With gate leaves wider than 2 m, an electric lock is also required.



COMBI 740

• standard

- not available

SPECIFIC ACCESSORIES

	CODE	DESCRIPTION	VERSION	ROTATION
	745L	Foundation box made of zinc-coated steel complete with aluminium cover	-	110°/175°
	746DXL	Zinc-coated steel plate with F-ring with square hole to be welded under the gate	right	110°/175°
	746SXL	Zinc-coated steel plate with F-ring with square hole to be welded under the gate	left	110°/175°
	747L	Zinc-coated steel, preparatory distance support with base plate and bronze washer. It is used inside the foundation box to allow manual opening and closing of the gate without any motor operator fitted to it	-	110°/175°
	748DXL	Zinc-coated, pressed steel manual emergency release bracket with spanner having an ergonomic grip, to be fitted under the gate	right	110°/175°
	748SXL	Zinc-coated, pressed steel manual emergency release bracket with spanner having an ergonomic grip, to be fitted under the gate	left	110°/175°
	761L	F-ring with square hole to be welded under the gate	-	110°/175°
	762L	Foundation box made of AISI 304 stainless steel complete with aluminium cover	-	110°/175°
	7033L	Zinc-coated steel arm and guide for off-axis gate installations. Only for COMBI 740 175° and DRIVE 700 175°	-	175°
	708L	Hydraulic “FADINI HF.PLI oil”, in 2 liter can	-	-


7047L

ELPRO 27

[A]: The gate structure, size and possible strong winds may affect the values as indicated. Always make sure the gate is adequate to be automatically operated and remove any possible friction points.
 [F]: -40 °C with specific optional accessories, see page 16.



COMBI 787

MAX 1.000 kg
6 m 230 Vac



FOR SWINGING GATES

Under-the-ground mount oil-hydraulic operator
For residential and industrial applications

DISCREET, STRONG AND INVISIBLE

All-in-one, oil-hydraulic operator made up of a hydraulic motor-pump unit and an integrated cylinder (jack), housed inside a gate supporting foundation box made of treated steel (5 mm thickness and electrolytic galvanization) ensuring high resistance to corrosion. Foundation box available in AISI 304 stainless steel as an option. It is possible to fit mechanical gate stops, adjustable in open and closed gate positions, directly inside it. The operator can be installed or removed without having to remove the gate. No particular maintenance is required.

OIL-HYDRAULIC

Wide range of versions to meet any installation requirements: reversible without hydraulic locking device, irreversible with bidirectional hydraulic

locking device, with hydraulic slowdown (braking) in opening and closing, with flow regulator. Anti-crush safety ensured by the by-pass valves fitted on to the operator. 110° shaft rotation; quiet and reliable operations.

SAFE

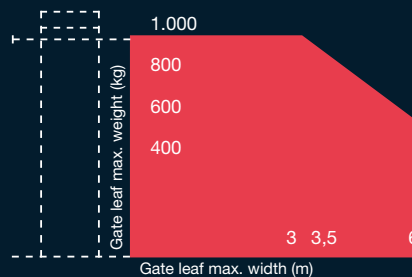
Pressed steel emergency release bracket, easy to operate from both inside and outside the gate by means of a specially designed spanner with ergonomic grip.



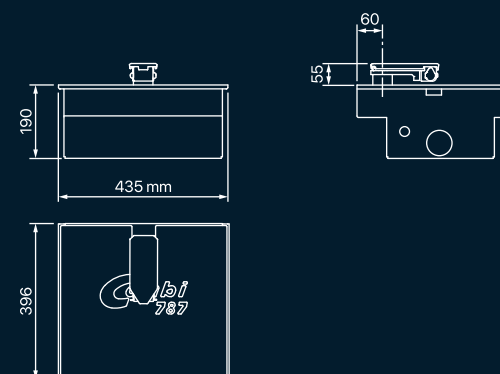
TECHNICAL DATA

Power supply (Vac – Hz)	230 - 50
Absorbed power (W)	330
Absorbed current (A)	1,8
Power yield (kW / HP)	0,24 / 0,33
Torque (Nm)	250-400
Working temperature (°C)	-20 ÷ +80 [F]
Grade of protection IP	67
Oil type	708L
Opening/closing time (s)	~ 23 [110°]
Weight including box (kg)	34
Frequency of use	intensive

APPLICATIONS ^[A]



OVERALL DIMENSIONS



COMBI 787

• standard

- not available

CODE	BIDIRECTIONAL HYDRAULIC LOCKING (irreversible)	SLOWDOWN BRAKING	FLOW REGULATOR	SINGLE GATE MAX. WIDTH (m) ^[A]	SINGLE GATE MAX. WEIGHT (kg) ^[A]
787N3L	-	-	-	6	1.000
7877BB3L	•	-	-	6	1.000
78778BB3L	•	•	-	6	1.000
787789BB3L	•	•	•	6	1.000
7878N3L	-	•	-	6	1.000
78789N3L	-	•	•	6	1.000
78779BB3L	•	-	•	6	1.000
7879N3L	-	-	•	6	1.000

Each code includes an oil-hydraulic operator complete with electric power supply cable. With those codes that include the letter "N" (non locking - reversible) an electric lock is needed. With gate leaves wider than 2 m, an electric lock is also required.



SPECIFIC ACCESSORIES



CODE	DESCRIPTION
7871L	Gate supporting foundation box, complete with cover, both made of zinc-coated steel. It makes installation and maintenance easier as there is no need to remove the gate
7872L	Pressed steel, zinc-coated complete set for emergency manual release to be fitted under the gate, spanner with ergonomic grip and open/close mechanical stops
7873L	Gate supporting foundation box with cover: both components are AISI 304 stainless steel, 3 mm. It makes installation and maintenance easier as there is no need to remove the gate
708L	Hydraulic "FADINI HF.PLI oil", in 2 liter can



7047L

ELPRO 27

[A]: The gate structure, size and possible strong winds may affect the values as indicated. Always make sure the gate is adequate to be automatically operated and remove any possible friction points.
[F]: -40 °C with specific optional accessories, see page 16.



DRIVE 700

MAX 700 kg
4 m 230 Vac



FOR SWINGING GATES

Under-the-ground mount oil-hydraulic operator with separate oil-hydraulic motor-pump

For residential and industrial applications

POWERFUL AND RELIABLE

Oil-hydraulic motor-pump installed separately from the oil-hydraulic jack which is inside an aluminium foundation box, with a fixing plate made of steel treated with electrolytic galvanization.

OIL-HYDRAULIC

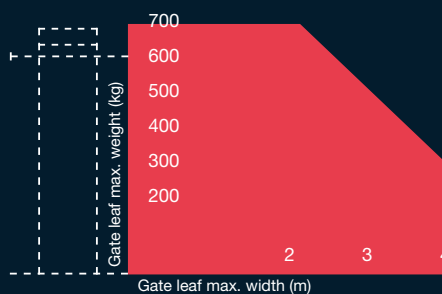
Wide range of versions to meet any installation requirements: reversible without hydraulic locking device, irreversible with bidirectional hydraulic locking device, with hydraulic slowdown (braking) in opening and closing. 110° and 175° shaft rotation options. Anti-crush safety ensured by the by-pass valves fitted on the motor-pump. Quiet and reliable operations.



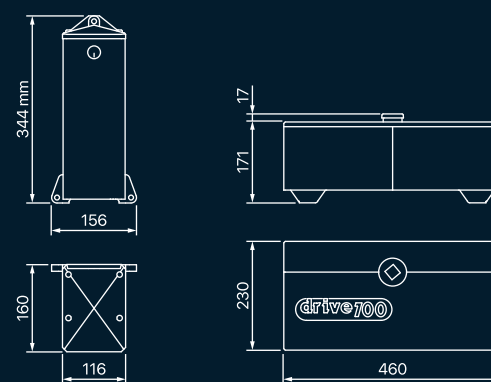
TECHNICAL DATA

Power supply (Vac – Hz)	230 - 50
Absorbed power (W)	400
Absorbed current (A)	2
Max. torque (Nm)	235
Max. pressure (atm)	30
Opening/closing time (s)	~ 23 [110°] ~ 28 [175°]
Working temperature (°C)	-20 ÷ +80 [F]
Grade of protection IP	67
Oil type	708L
Motor-pump static weight (kg)	8
Weight of jack and accessories (kg)	16
Frequency of use	semi-intensive

APPLICATIONS ^[A]



OVERALL DIMENSIONS



DRIVE 700 JACK

CODE	ROTATION	SLOWDOWN BRAKING	• standard		- not available	
			SINGLE GATE MAX. WIDTH (m) [A]	SINGLE GATE MAX. WEIGHT (kg) [A]	SINGLE GATE MAX. WIDTH (m) [A]	SINGLE GATE MAX. WEIGHT (kg) [A]
710L	110°	-	3	700		
711L	110°	•	4	700		
712L	175°	-	3	700		
713L	175°	•	4	700		

Each code includes one oil-hydraulic jack; the foundation box is not included. With gate leaves wider than 2 m, an electric lock is needed.



SPECIFIC ACCESSORIES



CODE	DESCRIPTION
7027L	Foundation box complete with aluminium cover, F-ring with square hole and zinc-coated steel anchoring plate



7029L	F-ring with square hole to be welded under the gate
-------	---



7033L	Zinc-coated steel arm and guide for off-axis gate installations. Only for COMBI 740 175° and DRIVE 700 175°
-------	---



705L	Copper tube \varnothing 8 mm - 50 m (12,5 kg)
------	---



707L	Copper tube \varnothing 8 mm - 4 m (1 kg)
------	---

708L	Hydraulic "FADINI HF.PLI oil", in 2 liter can
------	---

DRIVE 700 ESTRU HYDRAULIC MOTOR-PUMP

CODE	HYDRAULIC LOCKING
701L	reversible
7021L	bidirectional

Each code includes one oil-hydraulic motor-pump with joints, manual release knob and electric power supply cable. An electric lock is needed with the non locking - reversible version.



7047L
ELPRO 27

[A]: The gate structure, size and possible strong winds may affect the values as indicated. Always make sure the gate is adequate to be automatically operated and remove any possible friction points.
[F]: -40 °C with specific optional accessories, see page 16.

Automations for
**INDUSTRIAL
AND GARAGE
DOORS**





APROLI 380 LB

74

MEC 200 LB

76

FIBO 300 LB / FIBO 400 LB

78

APROLI 480

80



GUIDE TO CHOICE

FOR FOLDING DOORS
WITH TWO PANELS



APROLI 380 LB

max 250 kg
230 Vac



FOR SECTIONAL, FOLDING
AND INDUSTRIAL DOORS



MEC 200 LB

0,5 HP 

max 25 m²
230 Vac 1PH
230/400 Vac 3PH

1 HP 

max 50 m²
230 Vac 1PH
230/400 Vac 3PH

1,5 HP 

max 50 m²
230/400 Vac 3PH

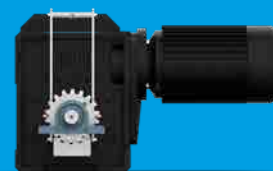
FOR INDUSTRIAL DOORS



FIBO

300 LB 

1,5 HP
3PH
> 50 m²
230/400 Vac



400 LB 

3 HP
3PH
> 50 m²
230/400 Vac

FOR OVERHEAD DOORS



APROLI 480

max 7 m²
230 Vac





APROLI 380^{LB}

MAX 250 kg 230 Vac



FOR FOLDING DOORS WITH TWO PANELS

Oil-hydraulic operator

For industrial applications

OIL-HYDRAULIC

Anti-crush safety ensured by the by-pass valves fitted on the operator. Smooth movements and reliable performance.

SAFE

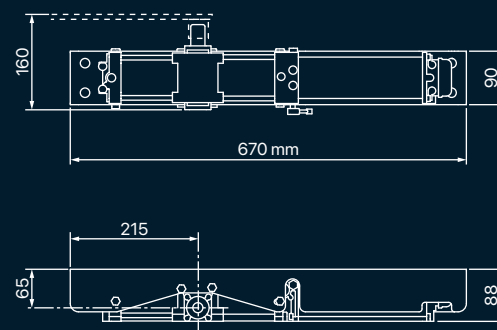
Manual overriding by lever on the operator.



TECHNICAL DATA

Power supply (Vac – Hz)	230 - 50
Absorbed power (W)	250
Absorbed current (A)	1,2
Power yield (kW – HP)	0,24 - 0,33
Opening/closing time (s)	~ 23
Max. torque (Nm)	196,2
Working temperature (°C)	-20 ÷ +80 [F]
Grade of protection IP	67
Oil type	708L
Operator static weight (kg)	10,5
Shaft rotation	max 205°
Max. 2-panel gate weight (kg)	250
Frequency of use	intensive

OVERALL DIMENSIONS



APROLI 380 LB

CODE	VERSION	HYDRAULIC LOCKING	MAX. WEIGHT (kg) ^[A]
394DXL	right-handed	bidirectional	250
394SXL	left-handed	bidirectional	250

Each code includes an oil-hydraulic operator, bidirectional hydraulic locking (irreversible) type, with release lever.

SPECIFIC ACCESSORIES



CODE	DESCRIPTION
395L	Protection cover



396L	Fixing hardware kit for one operator. The kit includes the following zinc-coated steel items: fixing bracket, bushing with square hole and telescopic arm
-------------	---



708L	Hydraulic "FADINI HF.PLI oil", in 2 liter can
-------------	---



7047L
ELPRO 27

[A]: The gate structure, size and possible strong winds may affect the values as indicated. Always make sure the gate is adequate to be automatically operated and remove any possible friction points.
[F]: -40 °C with specific optional accessories, see page 16.

MEC 200^{LB}

MAX 50 m² 230 Vac
400 Vac

FOR SECTIONAL, FOLDING AND INDUSTRIAL DOORS

Electromechanical geared motor operator with chain drive system

For industrial applications



STRONG

230 Vac and 400 Vac geared motor operator, coupling of the worm gear with the bronze crown gear in an oil bath, on ball bearings.

SIMPLE

Adjustment of the torque by mechanical clutch and of the limit switch stop positions on opening and closing.

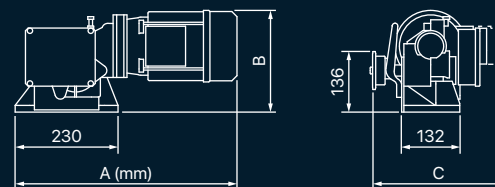
SAFE

Manual override by release lever, complete with metal cable and key to reset the device. Wide range of accessories for a complete installation.

TECHNICAL DATA

	0,5 HP - 1PH	0,5 HP - 3PH	1 HP - 1PH	1 HP - 3PH	1,5 HP - 3PH
Power supply (Vac – Hz)	230 - 50	230/400 - 50	230 - 50	230/400 - 50	230/400 - 50
Absorbed power (W)	510	575	1.130	1.030	1.500
Absorbed current (A)	2,4	2,1/1,2	5,7	3,7/2,2	5,1/3
Power yield (kW)	0,37	0,37	0,73	0,73	1,1
Rated torque (Nm)	40	40	80	80	110
Gear ratio	1/32	1/32	1/32	1/32	1/32
Working temperature (°C)	-20 ÷ +80	-20 ÷ +80	-20 ÷ +80	-20 ÷ +80	-20 ÷ +80
Travel speed (m/min)	9,6 Z20 1/2"	9,6 Z20 1/2"	9,6 Z20 1/2"	9,6 Z20 1/2"	9,6 Z20 1/2"
Limit switch	mechanical	mechanical	mechanical	mechanical	mechanical
Grade of protection IP	55	55	55	55	55
Oil type	706L	706L	706L	706L	706L
Weight (kg)	19	18	23	21	25
Door surface (m ²)	25	25	50	50	50
Frequency of use	intensive	intensive	intensive	intensive	intensive

OVERALL DIMENSIONS




ELECTRIC MOTORS		A	B	C
		0,5 HP (0,37 kW)	1PH 405	230
	3PH 390	220	225	
1 HP (0,73 kW)	1PH 470	225	290	
	3PH 460	225	255	
1,5 HP (1,1 kW)	3PH 460	225	255	

MEC 200 LB

CODE	VERSION	POWER (kW / HP)	AIR-COOLED MOTOR WITH ELECTRO-BRAKE	DOOR SURFACE (m ²)
20514L	230 Vac 1PH	0,37 / 0,5	-	25
2052567L	230 Vac 1PH	0,73 / 1	•	50
2051L	230/400 Vac 3PH	0,37 / 0,5	-	25
2052L	230/400 Vac 3PH	0,73 / 1	-	50
2058L	230/400 Vac 3PH	1,1 / 1,5	-	50
205267L	230/400 Vac 3PH	0,73 / 1	•	50
205867L	230/400 Vac 3PH	1,1 / 1,5	•	50
205148L	230 Vac 1PH reversible [B]	0,37 / 0,5	-	25
205180L	230/400 Vac 3PH reversible [B]	0,37 / 0,5	-	25

Each code includes an electromechanical geared motor operator with 1/2" Z20 pinion, incorporated clutch and cable-operated override. The limit switch is not standard, but an accessories on request (code 2059L).

SPECIFIC ACCESSORIES

CODE	DESCRIPTION		
2036L	Zinc-coated pinion 1/2" Z40, hole ø 25 mm		
2046L	Zinc-coated steel base plate for wall fixing		
2053L	Chain stretcher with 1/2" Z20 pinion and zinc-coated steel support bracket with adjusting device		
2054L	1/2" chain, 5 m length		
2055L	Zinc-coated pinion 1/2" Z20		
2056L	Zinc-coated pinion 1/2" Z20 with shaft and bearing		
2057L	Opening and closing limit switch, to be fitted externally from the geared motor operator		
706L	Gear oil type "FADINI UTTO oil", in 2 liter can		
		2044L Cable-operated release lever, complete with 7 m metal cable and key to reset the device	2049L MEC 200 LB gear box complete with base, clutch, incorporated limit switch
		2059L Incorporated limit switch complete with box, micro-switches, terminal board, gears and adjustments. Suitable to doors up to 8 m max. width. Factory fitted	2050L MEC 200 LB gear box complete with base, clutch



7087L

ELPRO 37

[B]: It is possible to open or close the gate by hand in case of power failure; no need that release handle or release spanner be operated.

FIBO 300 LB FIBO 400 LB

> 50 m²

230/400
Vac



FOR INDUSTRIAL DOORS

Electromechanical geared motor operator with chain drive system

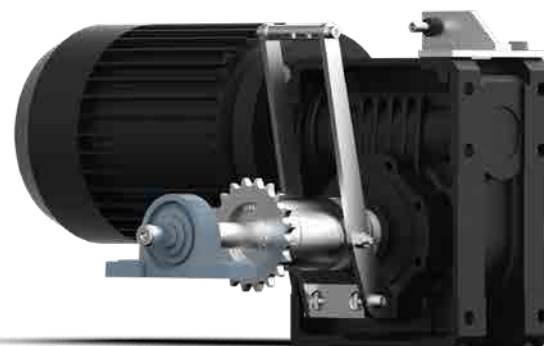
For industrial applications

RELIABLE

Geared motor operator for applications where transmission is by metal chain, specific for industrial doors sliding on a guide system, single panel or multi-panels folding to one side. Coupling of the worm gear with the bronze crown gear in an oil bath, on ball bearings.

STRONG

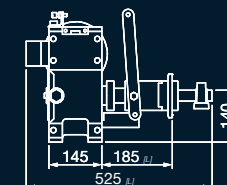
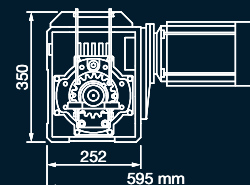
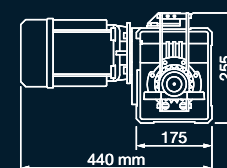
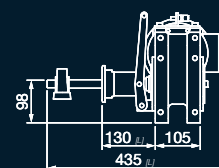
Safe thanks to the mechanical clutch. Manual release system allowing hand operations of the door in case of electric power failure.



TECHNICAL DATA

	1,5 HP - 3PH	3 HP - 3PH
Power Supply (Vac - Hz)	230/400 - 50/60	230/400 - 50/60
Absorbed power (W)	1.500	2.800
Absorbed current (A)	5,1/3	9,4/5,4
Power yield (kW / HP)	1,1 - 1,5	2,2 - 3
Motor revolutions (rpm - Hz)	1.400 - 50 1.700 - 60	1.400 - 50 1.700 - 60
Rated torque (Nm - Hz)	300 - 50	840 - 50
Rated torque (Nm - Hz)	247 - 60	700 - 60
Travel speed (m/min - rpm - Hz)	9 - 1.400 - 50	9 - 1.400 - 60
Travel speed (m/min - rpm - Hz)	11 - 1.700 - 50	11 - 1.700 - 60
Gear ratio	1/40	1/56
Working temperature (°C)	-25 ÷ +80	-25 ÷ +80
Limit switch	external	external
Grade of protection IP	55	55
Oil type	706L	706L
Weight (kg)	28	52
Frequency of use	intensive	intensive

OVERALL DIMENSIONS



FIBO 300 LB - FIBO 400 LB

CODE	MODEL	VERSION	POWER (kW / HP)	GEAR RATIO	PINION	SPEED	DOOR SURFACE (m ²)
2220L	FIBO 300 LB	230/400 Vac 50 Hz 3PH	1,1 / 1,5	1:40	Z20 - ½"	9 m/min - 50 Hz 1.400 rpm	> 50
		230/400 Vac 60 Hz 3PH	1,1 / 1,5	1:40	Z20 - ½"	11 m/min - 60 Hz 1.700 rpm	> 50
2223L	FIBO 400 LB	230/400 Vac 50 Hz 3PH	2,2 / 3	1:56	Z18 - ¾"	9 m/min - 50 Hz 1.400 rpm	> 50
		230/400 Vac 60 Hz 3PH	2,2 / 3	1:56	Z18 - ¾"	11 m/min - 60 Hz 1.700 rpm	> 50

Each code includes a geared motor operator complete with mechanical clutch, pinion for the chain and manual release system. For this kind of geared motors it is recommended that our technical office be contacted for further information and limits of application.

SPECIFIC ACCESSORIES



CODE	DESCRIPTION
706L	Gear oil type "FADINI UTTO oil", in 2 liter can



7185L
ELPRO 37 HP



APROLI 480

MAX 7 m² 230 Vac



FOR OVERHEAD DOORS

Oil-hydraulic operator

For residential applications

POWERFUL AND QUIET

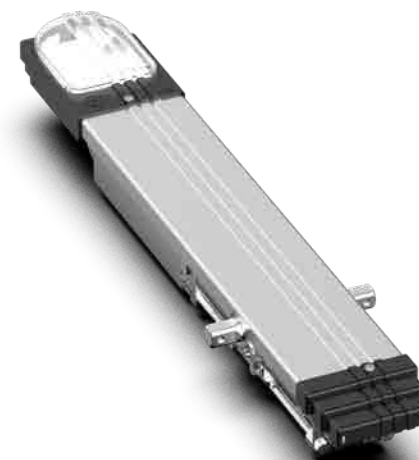
230 Vac oil-hydraulic operator for up-and-over doors, either jutting or non jutting types. By-pass valves ensure anti-crust safety.

SIMPLE

To install and fix, adaptable even to existing doors.

FUNCTIONAL

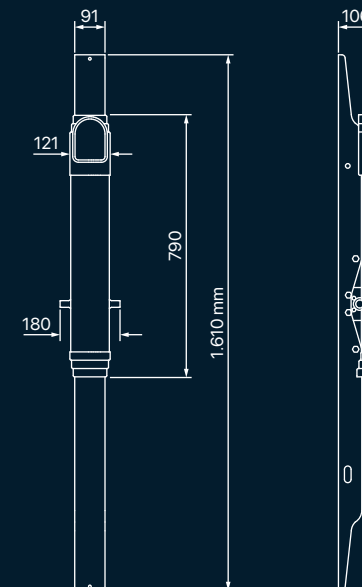
In its streamlined design with incorporated courtesy light.



TECHNICAL DATA

Power supply (Vac – Hz)	230 - 50
Absorbed power (W)	330
Absorbed current (A)	1,8
Power yield (kW – HP)	0,24 - 0,33
Torque (Nm)	220-300
Working temperature (°C)	-20 ÷ +80 [F]
Opening/closing time (s)	~ 18 [205°]
Grade of protection IP	67
Oil type	708L
Weight (kg)	11
Door surface (m ²)	7
Frequency of use	very intensive

OVERALL DIMENSIONS





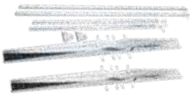





APROLI 480

CODE	HYDRAULIC LOCKING	POWER (kW / HP)	DOOR SURFACE (m ²)
------	-------------------	-----------------	--------------------------------

482L	bidirectional	0,24 / 0,33	7
-------------	---------------	-------------	---

The code number includes an oil-hydraulic operator, but not the fixing hardware.

SPECIFIC ACCESSORIES

	CODE	DESCRIPTION
	244L	External release device with lock, two keys and metal cable
	483L	Hardware fixing kit for one APROLI 480 operator. The kit includes the following zinc-coated steel items: telescopic arms, 1,5 m transmission bars, fixing bracket and two bar supports
	484L	Hardware fixing kit for two APROLI 480 operators on the same door. The kit includes the following zinc-coated steel items: telescopic arms, 1,5 m transmission bars, two fixing brackets and two bar supports
	486L	Zinc-coated steel fixing bracket
	510L	Cover complete with courtesy light
	511L	Pair of curved telescopic arms, made of zinc-coated steel
	512L	Hardware fixing kit for one operator, to suit doors up to 3,5 m width x 2,7 m height. No welding required. The kit includes the following zinc-coated steel items: fixing bracket, transmission bars, lateral supports, straight telescopic arms
	513L	Pair (right and left) of curved telescopic arms complete with: movement pivot and guide sleeves, two fixing bolts, four angle attaching plates in zinc-coated steel and two nylon bushings
	708L	Hydraulic "FADINI HF.PLI oil", in 2 liter can



243L

ELPRO 6 exp

AUTOMATIC BARRIERS





BARRI 88

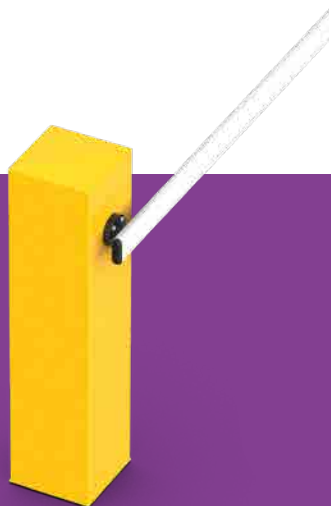
86

BAYT 980

88



GUIDE TO CHOICE



**BARRI
88**



230 Vac



FOR A BEAM OF 4 m



**BAYT
980**



230 Vac



FOR BEAMS UP TO 8 m



**BAYT
980**



FOR BEAMS UP TO 6 m
with manual movement





BARRI 88

MAX 4 m 230 Vac

BB



4 m BEAM

Automatic barrier

For residential and collective applications

ANTI-CRUSH SAFETY

230 Vac oil-hydraulic operator, beam slowdown in opening and closing. Ideal for residential and collective access control.

QUICK AND SMOOTH MOVEMENTS

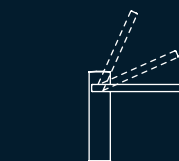
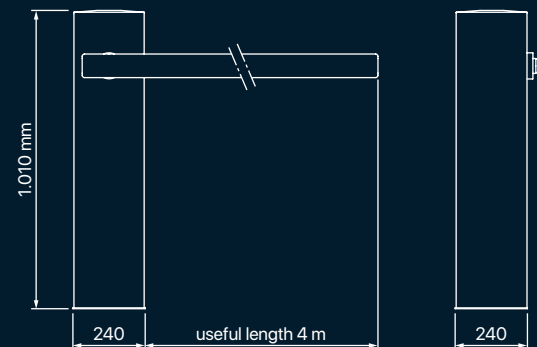
Reinforced structure made of RAL 1018 zinc yellow powder coated steel, incorporated electronic control board. Anodized aluminium beam with an oval section design.



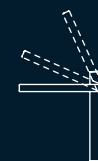
TECHNICAL DATA

Power supply (Vac – Hz)	230 - 50
Absorbed power (W)	330
Absorbed current (A)	1,8
Power yield (kW – HP)	0,24 - 0,33
Working temperature (°C)	-20 ÷ +80
Opening time (s)	~ 5
Working pressure (atm)	20
Max. pressure (atm)	40
Grade of protection IP	67
Oil type	708L
Weight without beam (kg)	58
Treatment and finishing	cataphoresis and polyester powder coating in RAL 1018 zinc yellow
Frequency of use	intensive

OVERALL DIMENSIONS



LEFT-HANDED barrier









RIGHT-HANDED barrier

BARRI 88

CODE	VERSION	OPENING TIME (s)	BEAM LENGTH (m)	BEAM ACCESSORY
1088DXL	right-handed	5	4	folding pedestal
1088SXL	left-handed	5	4	folding pedestal
1089DXL	right-handed	5	4	fixed pedestal
1089SXL	left-handed	5	4	fixed pedestal

Each code includes a housing cabinet fitted with a door, two keys, B88 motor-pump and jack assembly, ELPRO 88 exp electronic control board, electric power supply and earth cables, aluminium beam 30x80x4.000 mm, flanged bracket to take and fasten the beam, zinc-coated fixing base plate with rag bolts and nuts. The housing is cataphoresis treated and polyester powder coated in RAL 1018 zinc yellow. Folding pedestal and fixed pedestal only for the codes as indicated in the chart.

SPECIFIC ACCESSORIES

	CODE	DESCRIPTION	
	1097L	Set of 12 retroreflective red stickers for the beams	
	1098L	Zinc-coated fixing base plate	
	1099L	Voltage cut-off and re-set switch once door is closed	
	1095L	Aluminium beam 30x80x4.000 mm	
	1096L	Increase for aluminium beam 30x80 mm to come in two segments of 2 m each, complete with joining device	
	60L	Customized coating, RAL colours	
	708L	Hydraulic "FADINI HF.PLI oil", in 2 liter can	
			
			1093L Folding lift up pedestal
			
			1094L Fixed cataphoresis treated fork-end pedestal for beam support



2431L

ELPRO 88 exp

BAYT 980

MAX 8 m 230 Vac

FOR BEAMS from 3 to 8 m

Automatic barrier

For residential, industrial and urban applications

OIL-HYDRAULIC SAFETY

230 Vac oil-hydraulic operator, motor-pump and piston integrated in the assembly. Ideal for those installations where heavy duty specifications are to meet: car parks, private and public driveways, residential, urban and industrial areas. Various speed options, slowdown on opening and closing.

ROBUST

Reinforced structure made of powder coated steel to ensure a greater resistance to weathering or AISI 304 brushed stainless steel. Anodized aluminium beams with oval section, available in various lengths and coming with an aluminium expanding joint; high strength against winds.

VERSATILE

Wide range of accessories: beam with a fence underneath, beam with incorporated LED lights

highly visible in dark conditions (flashing option as traffic lights on request), folding device for roofed applications, swing-away arm fastening plate preventing breakage in case of vehicle collision.

QUICK INSTALLATION

The electronic control board is located in the upper part of the housing in a dedicated and separated box. "master/slave" option available on request for opposing barriers.

HANDY

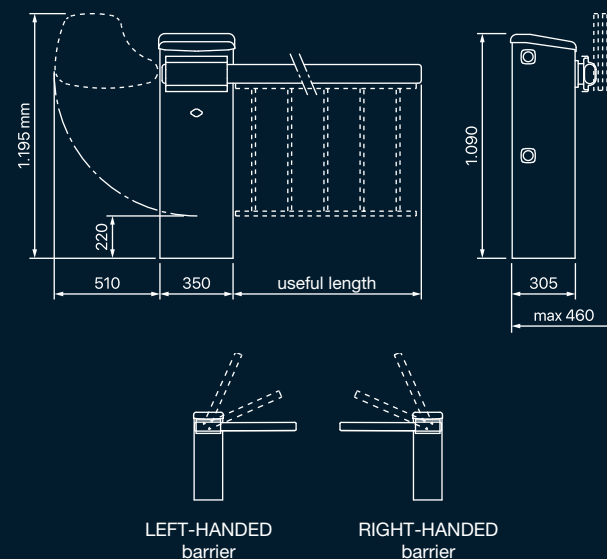
A version of this model can be fully operated by hands (max. beam length 6,40 m without fence). Ideal for places where no electric power supply is available.



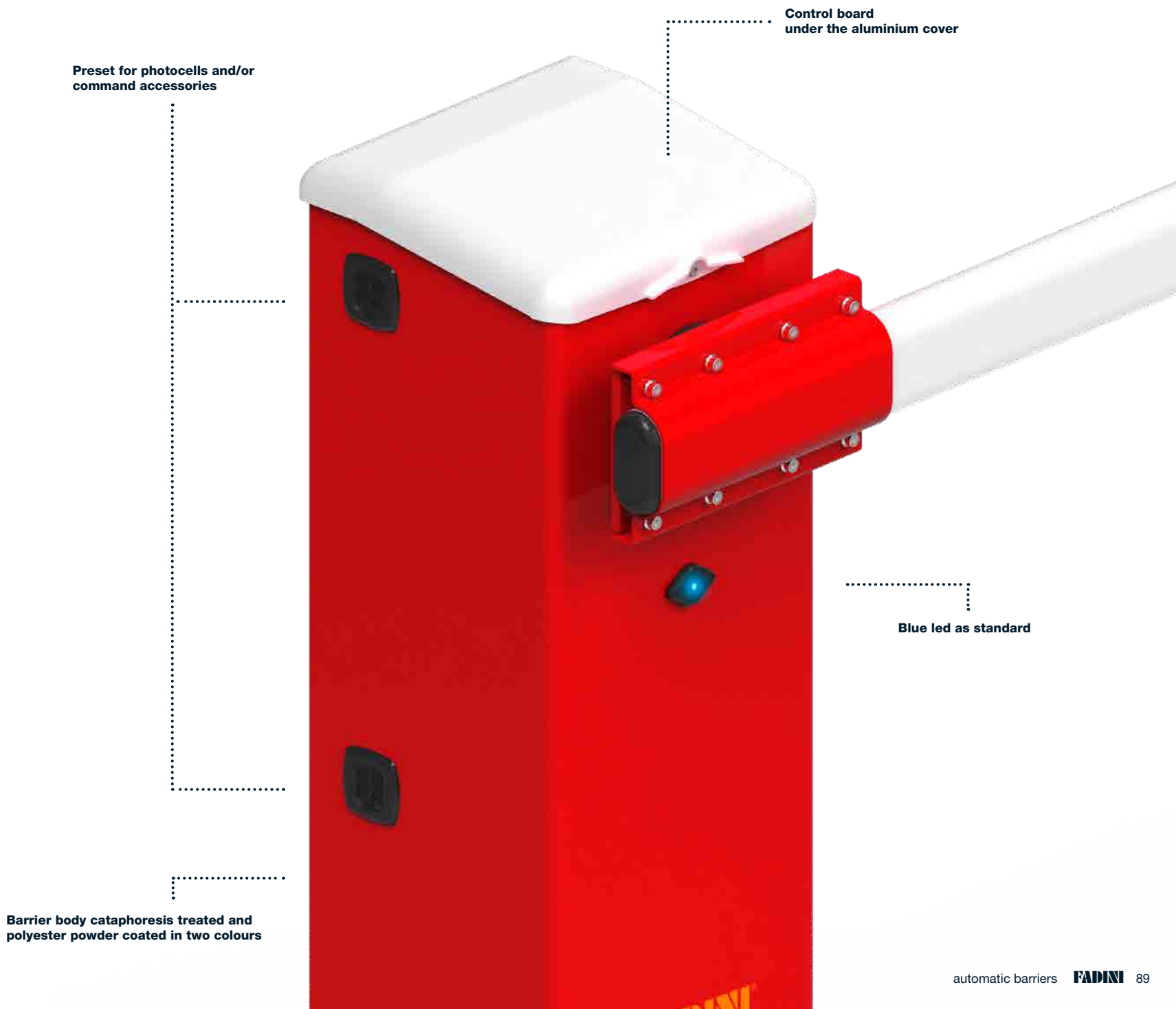
TECHNICAL DATA

Power supply (Vac – Hz)	230 - 50
Absorbed power (W)	510
Absorbed current (A)	2,4
Power yield (kW – HP)	0,37 - 0,5
Working temperature (°C)	-20 ÷ +80
Working pressure (atm)	20
Max. pressure (atm)	40
Grade of protection IP	65
Oil type	708L
Reservoir volume (l)	2,5
Weight without beam (kg)	75
Frequency of use	very intensive

OVERALL DIMENSIONS



BAYT 980



Preset for photocells and/or command accessories

Control board under the aluminium cover

Blue led as standard

Barrier body cataphoresis treated and polyester powder coated in two colours



BAYT 980



Barrier body, cover
and door in AISI 304
brushed stainless steel

FADINI



Automatic barrier
with oil-hydraulic motor-pump-piston assembly

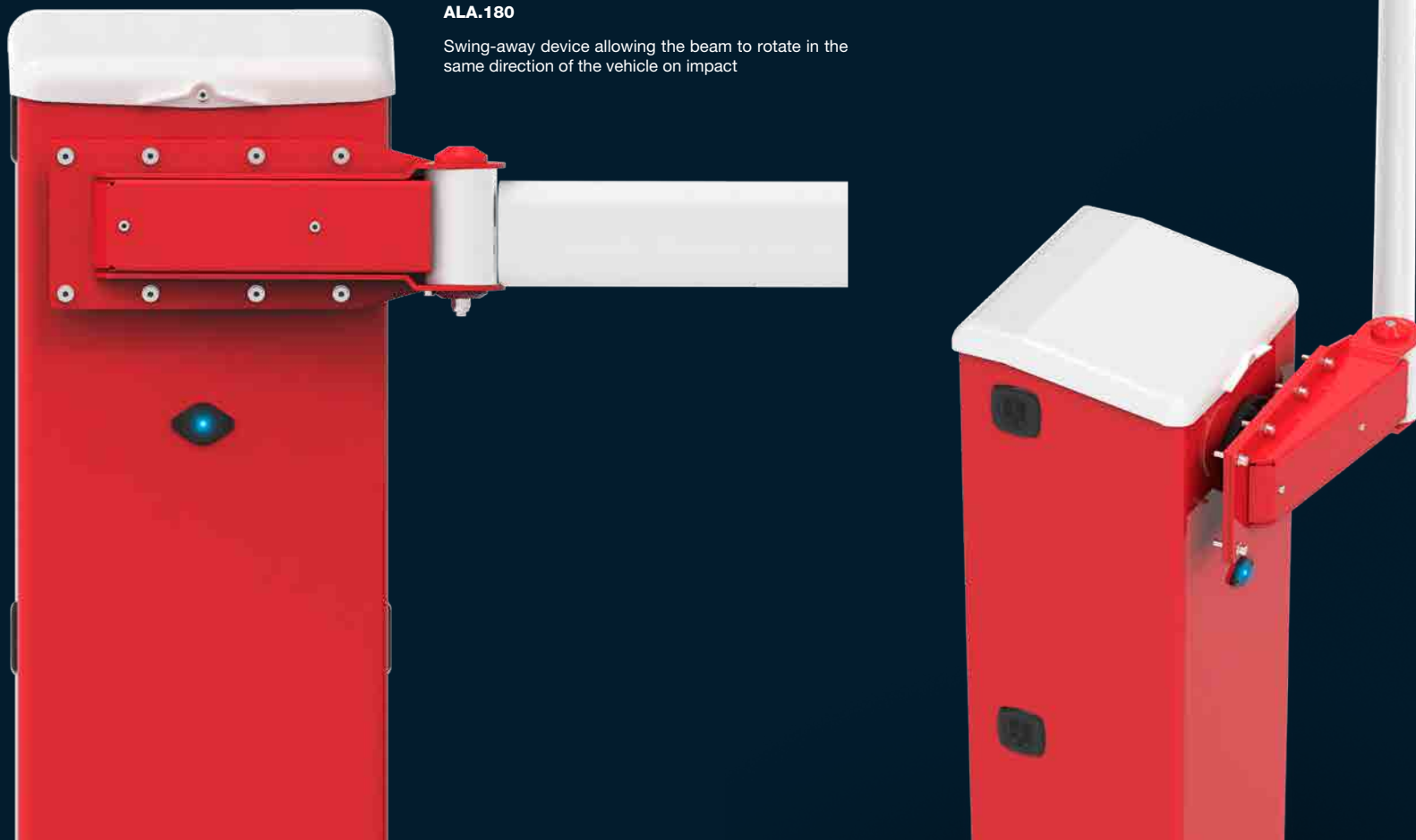


Telescopic arm
with return spring for manual operations

BAYT 980

ALA.180

Swing-away device allowing the beam to rotate in the same direction of the vehicle on impact



SPECIFICATIONS

BAYT 980 AUTOMATIC

Automatic barrier ideal for heavy duty installations: car parks, private and public driveways, residential, urban and industrial areas. 230 Vac oil-hydraulic barrier operator including housing cabinet with a door and two keys, motor-pump-piston COS 982 assembly, ELPRO 980 control board, a flange to fasten the aluminium beam, zinc-coated (or stainless steel) anchoring base plate with rag bolts and nuts, a blue LED light incorporated into the housing. Reinforced structure made of powder coated steel to better withstand the atmospheric agents, or AISI 304 brushed stainless steel. Right- and left-handed versions. Different speed options (3, 4, 8, 14, 19 s), slowdown on opening and closing. Anodized aluminium oval section beam in various lengths (from 3 to 8 m), with an aluminium expanding joint; high resistance to wind pressure. Wide range of accessories: beam with a fence underneath, beam with incorporated led lights highly visible in the dark (optional traffic-lights effect, flashing), articulated joint for roofed applications, swing-away device to protect the beam in case of impact with a vehicle.

BAYT 980 MANUAL

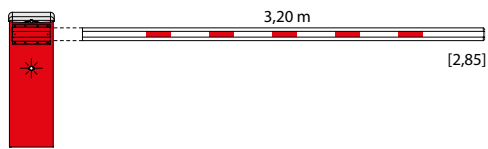
Hand-operated barrier for those places where a connection to the electric mains is not possible. It consists of a housing cabinet with a door and two keys, telescopic arm with return spring, locking ring, a flange to fasten the aluminium beam, zinc-coated (or stainless steel) anchoring base plate with rag bolts and nuts. Reinforced structure made of powder coated steel to better withstand the atmospheric agents, or AISI 304 brushed stainless steel. Right- and left-handed versions. Anodized aluminium oval section beam in various lengths (from 2 to 6 m), with an aluminium expanding joint.



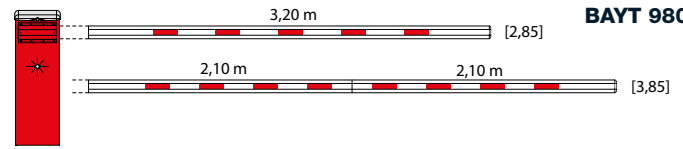
BAYT 980

GUIDE TO CHOICE

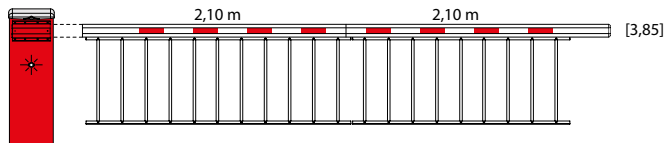
Beams and accessories



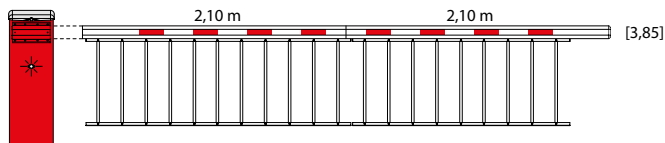
BAYT 980 3 s



BAYT 980 4 s



BAYT 980 8 s



BAYT 980 14 s



x 4



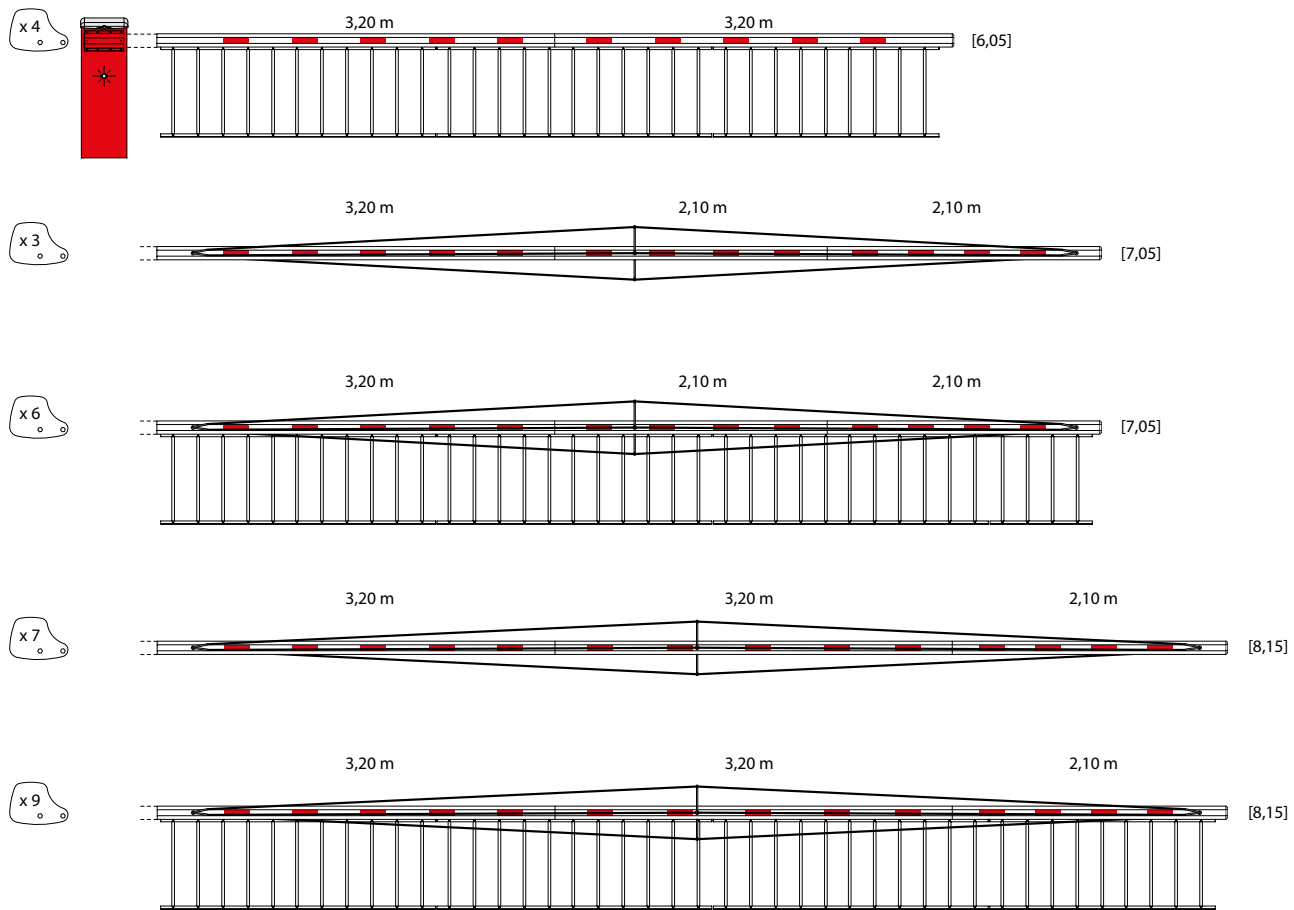
x 3



BAYT 980



BAYT 980 19 s



Beams and accessories are not included in the code number of the automatic barrier. All of the beams here indicated are also available with signalling led lights integrated in them. The measurement into the brackets indicates the length in meters of the access that can be protected by BAYT 980

BAYT 980

• applicable

- not applicable

CODE	VERSION	SPEED (s)	PISTON (mm)	PUMP	APPLICATION LIMIT			REQUIRED ACCESSORIES		
					BEAM (m) access width []	FENCE	REINFORCEMENT BEAM	CABLES KIT	COUNTERWEIGHTS (10 kg each)	
9801DXL	right-handed	3	ø 30	P16	3,20 [2,85]	-	-	-	-	
9801SXL	left-handed	3	ø 30	P16	3,20 [2,85]	-	-	-	-	
9802DXL	right-handed	4	ø 40	P16	3,20 [2,85]	-	-	-	-	
					4,20 [3,85]	-	-	-	-	
9802SXL	left-handed	4	ø 40	P16	3,20 [2,85]	-	-	-	-	
					4,20 [3,85]	-	-	-	-	
9803DXL	right-handed	8	ø 40	P8	4,20 [3,85]	•	-	-	-	
					5,30 [4,95]	-	-	-	-	
					6,40 [6,05]	-	-	-	-	
9803SXL	left-handed	8	ø 40	P8	4,20 [3,85]	•	-	-	-	
					5,30 [4,95]	-	-	-	-	
					6,40 [6,05]	-	-	-	-	
9804DXL	right-handed	14	ø 50	P6	4,20 [3,85]	•	-	-	-	
					5,30 [4,95]	•	-	-	-	
					6,40 [6,05]	•	•	-	4x 1965L	
					7,40 [7,05]	-	•	1x 1958L	3x 1962L	
					4,20 [3,85]	•	-	-	-	
9804SXL	left-handed	14	ø 50	P6	5,30 [4,95]	•	-	-	-	
					6,40 [6,05]	•	•	-	4x 1965L	
					7,40 [7,05]	-	•	1x 1958L	3x 1962L	
					6,40 [6,05]	•	•	-	4x 1965L	
					7,40 [7,05]	-	•	1x 1958L	3x 1962L	
9805DXL	right-handed	19	ø 60	P6	7,40 [7,05]	•	•	1x 1958L	6x 1968L	
					8,50 [8,15]	-	•	1x 1967L	7x 1969L	
					8,50 [8,15]	•	•	1x 1967L	9x 1970L	
					6,40 [6,05]	•	•	-	4x 1965L	
					7,40 [7,05]	-	•	1x 1958L	3x 1962L	
9805SXL	left-handed	19	ø 60	P6	7,40 [7,05]	•	•	1x 1958L	6x 1968L	
					8,50 [8,15]	-	•	1x 1967L	7x 1969L	
					8,50 [8,15]	•	•	1x 1967L	9x 1970L	

Each code includes: a housing cabinet with door, two keys, motor-pump-piston assembly COS 982, electronic control board ELPRO 980, voltage cut-off switch, power supply and ground cables, flanged fastening plate to hold the aluminium beam, zinc-coated anchoring base plate with rag bolts and nuts, a blue LED light incorporated into the housing. The barrier body is cathaphoresis treated and polyester powder coated in two colours, body in RAL 2002 orange red, while top cover and door are 9006 SW3061 textured grey. Beam and accessories (folding and fixed pedestals, etc.) not included; consult the specific section in the catalogue.

BAYT 980 INOX AISI 304

• applicable

- not applicable

CODE	VERSION	SPEED (s)	PISTON (mm)	PUMP	APPLICATION LIMIT			REQUIRED ACCESSORIES		
					BEAM (m) access width []	FENCE	REINFORCEMENT BEAM	CABLES KIT	COUNTERWEIGHTS (10 kg each)	
9811DXL	right-handed	3	ø 30	P16	3,20 [2,85]	-	-	-	-	
9811SXL	left-handed	3	ø 30	P16	3,20 [2,85]	-	-	-	-	
9812DXL	right-handed	4	ø 40	P16	3,20 [2,85]	-	-	-	-	
					4,20 [3,85]	-	-	-	-	
9812SXL	left-handed	4	ø 40	P16	3,20 [2,85]	-	-	-	-	
					4,20 [3,85]	-	-	-	-	
9813DXL	right-handed	8	ø 40	P8	4,20 [3,85]	•	-	-	-	
					5,30 [4,95]	-	-	-	-	
					6,40 [6,05]	-	-	-	-	
9813SXL	left-handed	8	ø 40	P8	4,20 [3,85]	•	-	-	-	
					5,30 [4,95]	-	-	-	-	
					6,40 [6,05]	-	-	-	-	
9814DXL	right-handed	14	ø 50	P6	4,20 [3,85]	•	-	-	-	
					5,30 [4,95]	•	-	-	-	
					6,40 [6,05]	•	•	-	4x 1965L	
					7,40 [7,05]	-	•	1x 1958L	3x 1962L	
9814SXL	left-handed	14	ø 50	P6	4,20 [3,85]	•	-	-	-	
					5,30 [4,95]	•	-	-	-	
					6,40 [6,05]	•	•	-	4x 1965L	
					7,40 [7,05]	-	•	1x 1958L	3x 1962L	
9815DXL	right-handed	19	ø 60	P6	6,40 [6,05]	•	•	-	4x 1965L	
					7,40 [7,05]	-	•	1x 1958L	3x 1962L	
					7,40 [7,05]	•	•	1x 1958L	6x 1968L	
					8,50 [8,15]	-	•	1x 1967L	7x 1969L	
					8,50 [8,15]	•	•	1x 1967L	9x 1970L	
9815SXL	left-handed	19	ø 60	P6	6,40 [6,05]	•	•	-	4x 1965L	
					7,40 [7,05]	-	•	1x 1958L	3x 1962L	
					7,40 [7,05]	•	•	1x 1958L	6x 1968L	
					8,50 [8,15]	-	•	1x 1967L	7x 1969L	
					8,50 [8,15]	•	•	1x 1967L	9x 1970L	

Each code includes: a housing cabinet with door, two keys, motor-pump-piston assembly COS 982, electronic control board ELPRO 980, voltage cut-off switch, power supply and ground cables, flanged fastening plate to hold the aluminium beam, stainless steel anchoring base plate with rag bolts and nuts, a blue LED light incorporated into the housing. The barrier body, top cover and door are AISI 304 brushed stainless steel. Beam and accessories (folding and fixed pedestals, etc.) not included; consult the specific section in the catalogue.

CODE	VERSION	HOUSING FINISHING	SPRING OUTER DIAMETER (mm)	BEAM (m) Access width []
9892DXL	right-handed	powder coating RAL 2002	light (ø 45)	2,10 [1,75]
			light (ø 45)	3,20 [2,85]
			light (ø 45)	4,20 [3,85]
9892SXL	left-handed	powder coating RAL 2002	light (ø 45)	2,10 [1,75]
			light (ø 45)	3,20 [2,85]
			light (ø 45)	4,20 [3,85]
9841DXL	right-handed	powder coating RAL 2002	heavy (ø 66)	5,30 [4,95]
			heavy (ø 66)	6,40 [6,05]
9841SXL	left-handed	powder coating RAL 2002	heavy (ø 66)	5,30 [4,95]
			heavy (ø 66)	6,40 [6,05]
9895DXL	right-handed	inox AISI 304 brushed	light (ø 45)	2,10 [1,75]
			light (ø 45)	3,20 [2,85]
			light (ø 45)	4,20 [3,85]
9895SXL	left-handed	inox AISI 304 brushed	light (ø 45)	2,10 [1,75]
			light (ø 45)	3,20 [2,85]
			light (ø 45)	4,20 [3,85]
9843DXL	right-handed	inox AISI 304 brushed	heavy (ø 66)	5,30 [4,95]
			heavy (ø 66)	6,40 [6,05]
9843SXL	left-handed	inox AISI 304 brushed	heavy (ø 66)	5,30 [4,95]
			heavy (ø 66)	6,40 [6,05]

Each code includes: a housing cabinet with door, two keys, telescopic arm with return spring, ringed locking pin, flanged fastening plate to hold the aluminium beam, zinc-coated (or stainless steel) anchoring base plate with rag bolts and nuts. The barrier body can be either cathaphoresis treated and polyester powder coated in two colours RAL 2002 orange red, white top cover and door are 9006 SW3061 textured grey, or AISI 304 brushed stainless steel. Beam and accessories (folding and fixed pedestals, etc.) not included; consult the specific section of the catalogue. It is possible to turn a manual barrier into an automatic one even at a later stage by fitting it with COS 982 motor-pump-piston assembly.

ALUMINIUM BEAMS

CODE	APPLICATION LIMIT		N. OF JOINTS AND MODULES (m)	ACCESSORIES FOR A CORRECT INSTALLATION (code)
	BEAM (m)	N. OF LEDs <i>[M]</i>		
	Access width []			
1936L	2,10 [1,75]	-	-	-
1937L	3,20 [2,85]	-	-	-
1940L	4,20 [3,85]	-	1 (2,10+2,10)	-
1941L	5,30 [4,95]	-	1 (2,10+3,20)	-
1942L	6,40 [6,05]	-	1 (3,20+3,20)	-
1943L	7,40 [7,05]	-	2 (2,10+2,10+3,20)	1945L - 1958L - 1962L
1944L	8,50 [8,15]	-	2 (2,10+3,20+3,20)	1945L - 1967L - 1969L
9861L	2,10 [1,75]	4	-	-
9862L	3,20 [2,85]	6	-	-
9863L	4,20 [3,85]	8	1 (2,10+2,10)	-
9864L	5,30 [4,95]	10	1 (2,10+3,20)	-
9865L	6,40 [6,05]	12	1 (3,20+3,20)	-
9866L	7,40 [7,05]	14	2 (2,10+2,10+3,20)	9860L - 1958L - 1962L
9867L	8,50 [8,15]	16	2 (2,10+3,20+3,20)	9860L - 1967L - 1969L

Each code includes an aluminium beam with oval section 55x100 mm complete with red retroreflective stickers, plastic plugs and all the accessories indicated in the respective configuration.



[M]: For beams fitted with led lights, AL.FLEX 34 control is to be used, code no. 9840L.

BAYT 980**FENCE**

Aluminium skirt

• applicable

- not applicable

CODE	SPECIFICATIONS		APPLICATION LIMIT	
	TOTAL LENGTH (m)	MODULES (m)	BEAM (m)	ACCESSORIES FOR A CORRECT INSTALLATION (code)
1952L	3,80	2,09 + 1,71	4,20	-
1953L	4,75	2,09 + 2,09 + 0,57	5,30	-
1954L	5,89	2,09 + 2,09 + 1,71	6,40	1945L + 1965L
1955L	6,84	3x 2,09 + 0,57	7,40	1945L + 1958L + 1968L
1956L	7,98	3x 2,09 + 1,71	8,50	1945L + 1967L + 1970L

Each code includes an aluminium skirt with bolts and fixing profile. For beams with signalling LEDs, code No. 1945L must be replaced by code no. 9860L.

**COUNTERWEIGHTS AND BEAM TRUSS CABLES**

• applicable

- not applicable

CODE	DESCRIPTION	APPLICATION LIMIT		
		COUNTERWEIGHT (10 kg each)	BEAM (m)	FENCE
1958L	Kit of 4 stainless steel truss cables	-	7,40	-
1967L	Kit of 4 stainless steel truss cables	-	8,50	-
1962L	Zinc-coated steel counterweights kit with support for beam fixing	3 pz.	7,40	-
1965L	Zinc-coated steel counterweights kit with support for beam fixing	4 pz.	6,40	•
1968L	Zinc-coated steel counterweights kit with support for beam fixing	6 pz.	7,40	•
1969L	Zinc-coated steel counterweights kit with support for beam fixing	7 pz.	8,50	-
1970L	Zinc-coated steel counterweights kit with support for beam fixing	9 pz.	8,50	•

Each code includes the complete kit in the indicated configuration, for installation on the BAYT 980 automatic barrier.



BAYT 980 ACCESSORIES



60L
Customized coating, RAL colours



708L
Hydraulic "FADINI HF.PL1 oil", in 2 liter can



2032L
Inductive detector for magnetic loops, to be used with automatic gates, barriers and bollards. Technical data: two magnetic loops with two relay outputs and one for alarm, 24 Vac/dc



2037L
6 m circumference pre-assembled loop with 10 m power supply cable



2042L
12 m circumference pre-assembled loop with 15 m power supply cable



2569L
24 Vac electro-magnet



7283L
Electronic card controlling the led lights on the beam for traffic-lights effect: green light with beam in vertical position and red light with beam in horizontal position or in motion



9321L
24 Vdc voltage stabilizer. One voltage stabilizer for each operator fitted with solenoid valve



9730L
Thermal probe with 230 Vac - 50 Hz electric resistor complete with power supply cable for oil-hydraulic MEC 700/80 VENTIL motor-pumps and COS 982 assemblies. Factory fitted.



9827L
Zinc-coated steel anchoring base plate, complete with rag bolts



9828L
Voltage cut-off and re-set switch once the door is closed



9829L
AISI 304 stainless steel anchoring base plate, complete with rag bolts

BAYT 980 ACCESSORIES



9840L
AL.FLEX 34 electronic control card allowing the LED lights on the beam to work



9888L
24 Vac blue LED light complete with lens, support and power supply cable. Fitted on the housing



9873L
Blackout device.
24 Vdc solenoid valve. In case of power failure, it is possible to raise the beam by hand. It is always to be combined with the voltage stabilizer code 9321L for the installation to work properly.
The device is factory-fitted



9897L
ALA.180. This device allows for the beam to swing away (rotate) in the direction of the collision in case a vehicle crashes against it and is so designed to prevent the structural components of BAYT 980 automatic barrier and the beam from getting damaged. The device can be supplied factory-fitted or be fitted to installations of BAYT 980 already existing. Limits of application: beam 6.400 mm max. or 4.200 mm max. with a fence

BAYT 980 BEAM ACCESSORIES



1913L
Set of 10 red reflecting beam stickers



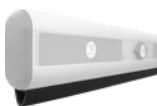
1933L
Aluminium expanding joint for beam assembling



1945L
Aluminium reinforcement beam x 3.000 mm for code 1942L (only when a fence is fitted), 1943L and 1944L



1948L
Aluminium folding lift-up pedestal, with adjustable foot



5023L
Rubber profile to be fitted under the aluminium beam



9752L
Fixed fork-end pedestal for beam support, designed for padlock. S235JRH steel, cathaphoresis treated and polyester powder coated in RAL 2002 orange red. Height from ground level: 840 mm

BAYT 980 BEAM ACCESSORIES



9755L

Adjustable fixed fork-end pedestal for beam support with various height options (min. 600 mm - max. 1.100 mm from ground level) designed for electromagnet lock (code 2569L). S235JRH steel, cataphoresis treated and RAL 2002 orange red polyester powder coated.



9756L

Fixed fork-end pedestal for beam support, designed for electromagnet lock (code 2569L). S235JRH steel, cataphoresis treated and polyester powder coated in RAL 2002 orange red. Height from ground level: 795 mm



9757L

AISI 304 stainless steel fixed fork-end pedestal for beam support, designed for electromagnet lock (code 2569L). Height from ground level: 795 mm



9758L

Fixed fork-end pedestal for beam support. S235JRH steel, cataphoresis treated and polyester powder coated in RAL 2002 orange red. Height from ground level: 840 mm



9759L

AISI 304 stainless steel fixed fork-end pedestal for beam support. Height from ground level: 840 mm



9860L

3.000 mm reinforcement aluminium beam for 9865L (only when a fence is fitted), 9866L and 9867L



9869L

12 Vdc two-colour LED light (red-green) for the beams, complete with lens, support and cable



9879DXL

Two beams cut to measure, complete with joint, arm and cable. For driveways up to 6 m, beam up to 6.400 mm, for BAYT 980 automatic, right-hand version



9879SXL

Two beams cut to measure, complete with joint, arm and cable. For driveways up to 6 m, beam up to 6.400 mm, for BAYT 980 automatic, left-hand version



9899L

ELPRO 980

Electronics for
**COMMAND
AND SAFETY**





TRIFO 11	106
DIFO 33	107
ORBITA 57	108
ARPO 58	109
ZERO.PH	110
ZERO.K / ZERO.EK	111
ZERO.DGT	112
ZERO.SAPE	113
ZERO.PB	114
ZERO.PT	115
ZERO.L	116
GECO 9	117
SAFETY EDGES	118
TRAFFIC LIGHTS	119
VIX 53	120
DIVO 71	122





GUIDE TO CHOICE

PHOTOCELLS AND SAFETY DEVICES

TRIFO 11

distance 6 m
surface mount



DIFO 33

distance 12 m
distance 30 m DIFO 33 POTENZIATA
recess mount



ZERO.PH

distance 20 m
distance 25 m synchronized
surface and recess mount



ORBITA 57

distance 6 / 15 m
adjustable, synchronized, wireless
surface mount



ARPO 58

radio safety device



SAFETY EDGES

NC contact and
resistive contact 8,2 k Ω
1,5 / 2 / 3 m



SIGNALLING LED LIGHTS

ZERO.L

led flashing light
24 Vac/dc or 230 Vac



TRAFFIC LIGHTS

lamp 70 W (one, two and three lights)
led 5 W (two and three lights)
24 Vac/dc or 230 Vac



GUIDE TO CHOICE

DIGITAL AND KEY SWITCHES

ZERO.K / ZERO.EK

key switches with half Euro cylinder or standard, surface and recess mount



ZERO.DGT

digital keypad with cable connection surface or recess mount



ZERO.PB

three-buttons switch surface or recess mount



GECO 9

token operated command device



TRANSPONDER READERS

ZERO.SAPE

proximity reader for transponder devices surface or recess mount



TRANSMITTERS

VIX 53

868,19 MHz rolling code
250 m distance, transceiver; radio link; four buttons;
four colours: lime green, mustard yellow,
candy lilac and skyline grey



DIVO 71

433,92 MHz auto-learning and rolling code
distance 120 m; four buttons;
four colours: lime green, mustard yellow,
candy lilac and skyline grey





TRIFO 11



PHOTOCELL FOR SURFACE MOUNT

Safety device with infrared modulated light type D in compliance with EN 12453 norms, one receiver and one transmitter/projector

EASY TO INSTALL

Designed to be as compact as possible for limited space applications. ABS body with a high level of resistance to atmospheric agents.

RELIABLE

6 m distance range. Relay output to be connected to any electronic control unit in the ELPRO range or any other existing installation. 24 Vac/dc voltage supply.



107L

TRIFO 11
pair of photocells, surface mount
(1 pc/pack)



108L

Pair of aluminium posts
for external applications, with
base, cover and fixing screws,
h 500 mm (1 pc/pack)



109L

Aluminium post for external
applications, with base,
cover and fixing screws,
h 500 mm (1 pc/pack)

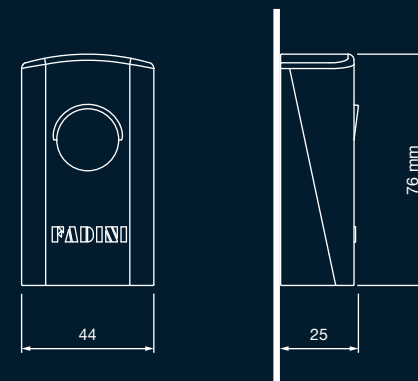


TECHNICAL DATA

Power supply (Vac/dc)	24
Projector absorption (mA)	55
Receiver absorption (mA)	35
Working temperature (°C)	-20 ÷ +70
Relay contact rating (A/Vac – VA)	1/125 - 60
Infrared modulated light (Hz)	1.500
Two relays	switching over
Distance range (m) <i>[N]</i>	6
Time of obstacle detection (ms)	6
Grade of protection IP	55
Weight of one pair TRIFO 11 (g)	85
Weight per pack of one pair posts (kg)	1,4

[N]: Distance decreases by 30-50% approx. in case of fog, rain or dusts.

OVERALL DIMENSIONS





DIFO 33

PHOTOCELL FOR RECESS MOUNT

Safety device with infrared modulated light type D in compliance with EN 12453 norms, one receiver and one transmitter/projector

ROBUST

ABS body with a high level of resistance to atmospheric agents.

RELIABLE

12 m distance range. Relay output to be connected to any electronic control unit in the ELPRO range or any existing installation. 24 Vac/dc voltage supply.
DIFO 33 POTENZIATE: 30 m distance range.



330L

DIFO 33
pair of photocells recess mount
(1 pc/pack)

331L

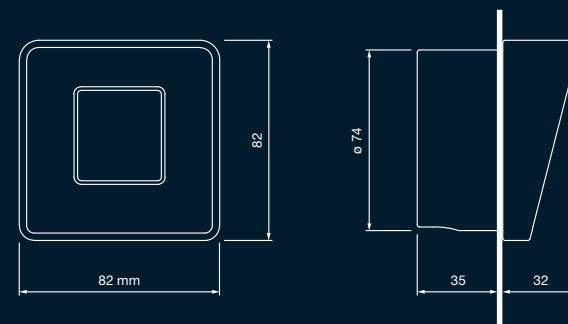
DIFO 33 POTENZIATE
pair of photocells recess mount
(1 pz./conf.)



TECHNICAL DATA

Power supply (Vac/dc)	24
Modulated light frequency (Hz)	1.100
Projector absorption (mA)	40
Receiver absorption (mA)	50
Working temperature (°C)	-10 ÷ +60
Output contact (Vac – VA)	1 A/125 - 60
Distance range (m) [N]	12/30
Grade of protection IP	44

OVERALL DIMENSIONS



[N]: Distance decreases by 30-50% approx. in case of fog, rain or dusts.



ORBITA 57

ADJUSTABLE AND SYNCHRONIZED PHOTOCELL, SURFACE

Safety device with infrared modulated light type D in compliance with EN 12453 norms, one receiver and one transmitter (wireless)

VERSATILE

A number of possible solutions in one single photocell: adjustable by rotation up to 200°, wireless and synchronized. Body in ABS with a high level of resistance to atmospheric agents. Quick and easy to install.

SYNCHRONIZED

Possibility to install up to 7 pairs of photocells to create a protective barrier, with no risk of interfering. It can be combined with an edge to achieve that level of safety required to comply with EN 12453 norms.

RELIABLE

15 m distance range, 6 m if battery operated. Relay output allowing connection to any ELPRO electronic control unit or any existing installation.

12 or 24 Vac/dc voltage supply or 2 x 1,5 V AAA batteries.

570L

ORBITA 57

pair of photocells, surface mount

(1 pc/pack)

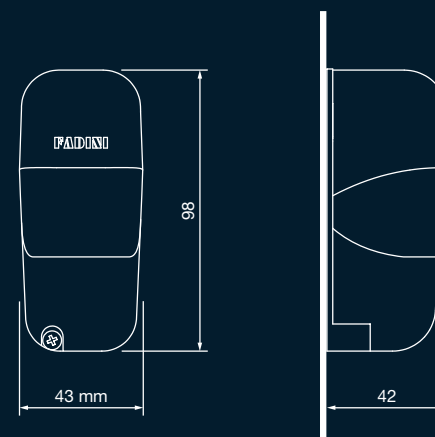


TECHNICAL DATA

Power supply (Vac/dc)	2x1,5 AAA - 12/24
TX absorption (mA - μA)	11 - 55 (by battery)
RX absorption (mA)	16
Grade of protection IP	55
Working temperature (°C)	-20 ÷ +80
Distance range (m) ^[N]	6 (by battery) - 15
Max. rotation	200°
Output contact (A/Vac - VA)	1/125 - 60
Battery life (years)	approx. 2
Recommended cable section (mm ²)	inferior to 0,5

[N]: Distance decreases by 30-50% approx. in case of fog, rain or dusts.

OVERALL DIMENSIONS



ARPO 58

WIRELESS TRANSMITTER FOR EDGES

Radio safety device to be combined with the safety edges of automatic systems for sliding and swinging gates, rolling doors, garage doors, sectional doors, fast guillotine doors and road arm barriers. No connection cables required between the transmitter and the receiver.

VERSATILE

Transmitter with 2 configurable inputs to manage both NC mechanical and 8,2 k Ω resistive edges. It is possible to associate up to 4 transmitters with one receiver and control as many installations close to one another without any danger of interferences.

INTELLIGENT

Circuit with a dedicated micro-controller separately fitted on to the board to monitor the actual integrity and perfect functionality of the safety system. In compliance with the EN 12978 and EN 13849-1 norms.

RELIABLE

It can check in real time the accessories connected to it and performs an auto-test of the battery level and radio coverage between receiver and transmitters. Bidirectional radio communication at 868 MHz frequency. In case of a fault, a safety stop contact prevents the operator from starting, by means of a third NC dedicated relay. Distance range: 100 m with an aerial and 30 m without it.

Voltage supply 12 or 24 Vac/dc or by 2 x 1,5 V AA batteries.



5801L

ARPO 58
receiver (1 pc/pack)



5802L

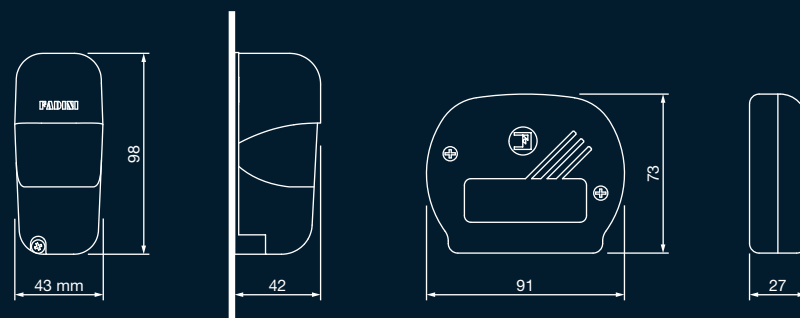
ARPO 58
transmitter (1 pc/pack)



TECHNICAL DATA

	RECEIVER	TRANSMITTER
Power supply (Vac/dc)	12/24	2x1,5 AA
Battery life (years)	-	4
Frequency (MHz)	868	868
Distance range (m)	100 with aerial 30 without aerial	100
Number of associable transmitters	4	-
Selectable frequencies	4	4
Outputs	2 (NO or NC selectable) + 1 safety stop (NC)	-
Relay (A / Vdc)	1 / 24	-
Working temperature (°C)	-20 ÷ +70	-20 ÷ +70
Max. consumption (mA)	66	12
Grade of protection IP	53	55
Compatible safety edges (k Ω)	-	mechanical and/or resistive 8,2

OVERALL DIMENSIONS





ZERO.PH



RECESS AND SURFACE MOUNT PHOTOCELLS

WHEN DESIGN CAN ILLUMINATE

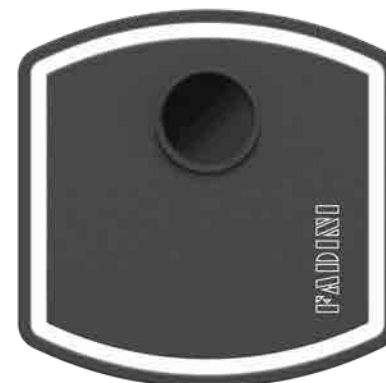
Safety device with infrared modulated light type D, conforming to EN 12453 norms. The set consists of a receiver and a transmitter. The electronic components and optic are protected inside a watertight plastic case. Luminous frame by a white led.

EASY TO INSTALL

Compact size and dimensions: only 18 mm jutting from surface line level with the recess version. ABS body with a high level of resistance to atmospheric agents. Complete line including posts and fixing supports.

RELIABLE

Distance range 20 m. Relay output enabling connection to any ELPRO control unit or any existing installation. Supply voltage 24 Vac/dc.



140L
ZERO.PH
pair of photocells
surface mount (1 pc/pack)



141L
ZERO.PH
pair of photocells
recess mount (1 pc/pack)



160L
ZERO.PH
pair of photocells
synchronized,
surface mount (1 pc/pack)



161L
ZERO.PH
pair of photocells
synchronized, recess mount
(1 pc/pack)



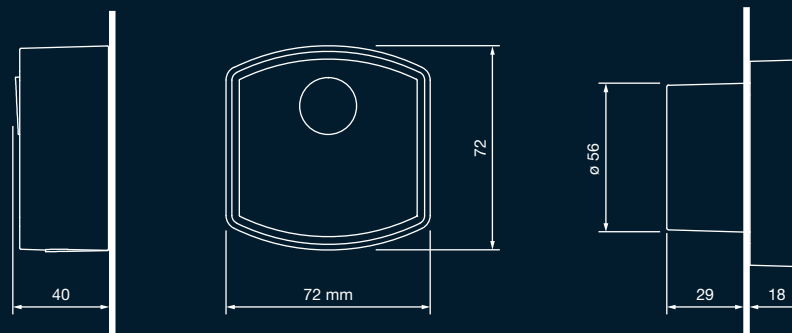
162L
Support bracket for
wall lateral application
(2 pcs/pack)



TECHNICAL DATA

Modulated light frequency (Hz)	625/320
Power supply (Vac/dc)	12/24
Transmitter max. absorption (mA)	26
Receiver max. absorption (mA)	36
Working temperature (°C)	-20 ÷ +70
Output contact (Vdc, A/Vac, A)	30, 1/125, 0,3
Distance range (m) [N]	20
Contact detection time (ms)	6
Grade of protection IP	55

OVERALL DIMENSIONS



[N]: Distance decreases by 30-50% approx. in case of fog, rain or dusts.

ZERO.K ZERO.EK



KEY-SWITCHES SURFACE AND RECESS MOUNT

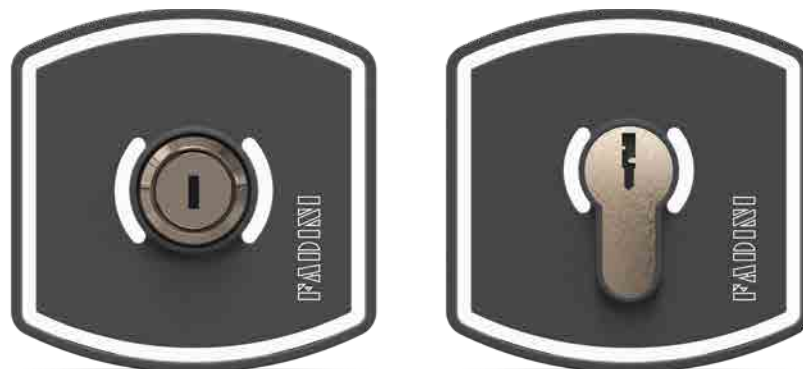
Automatic return lock: half Euro cylinder or standard profile

TOP SECURITY

Metal alloy body, powder coated and highly resistant to atmospheric agents. Opening only by key once inserted. Incorporated electronic card, complete with terminals and NO and NC contacts. Compact size and dimensions: 23 mm minimum jutting from surface line level with the recess version.

WHEN DESIGN CAN ILLUMINATE

Back-illuminated, luminous frame by a white led. Complete line of posts and fixing supports.



142L

ZERO.K

key-switch, surface mount with standard cylinder and two keys (1 pc/pack)



143L

ZERO.K

key-switch, recess mount with standard cylinder and two keys (1 pc/pack)



144L

ZERO.EK

key-switch, surface mount with half Euro cylinder and two keys (1 pc/pack)



145L

ZERO.EK

key-switch, recess mount with half Euro cylinder and two keys (1 pc/pack)



378L

Key for ZERO.K, code numbering from WA7001 to WA7030



163L

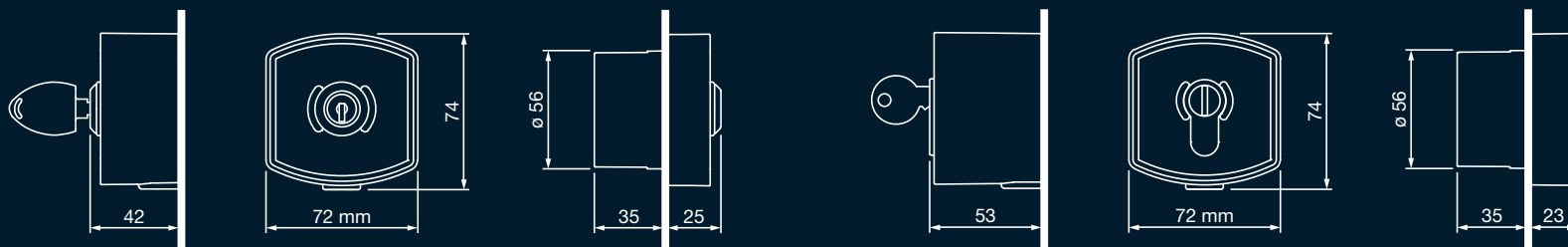
Key for ZERO.EK, code numbering from 111101 to 111115



OVERALL DIMENSIONS

ZERO.K

ZERO.EK



TECHNICAL DATA

Power supply (Vac/dc)	24	Microswitches contact	gold triple coating
Absorption (mA)	max 10	Microswitches max. load (mA - Vdc)	100 - 30
Working temperature (°C)	-30 ÷ +70	Grade of protection IP	54



ZERO.DGT



DIGITAL KEYPAD WITH CABLE CONNECTION

12 back-illuminated key-buttons. Surface or recess mount options

TOP SECURITY

Metal alloy body, powder coated and highly resistant to atmospheric agents. Compact size and dimensions: only 21 mm jutting from surface line level with the recess version. Front cover made of AISI 304 brushed stainless steel. Operations by a numerical combination of 1 to 6 digits. Complete line of posts and fixing supports.

LED BACK-ILLUMINATION

Visual signal confirming correct combination: green led for correct digit combination or red led for wrong digit combination. Acoustic signal on pressing each single key-button. Timed and bistable functions, incorporated stop button.



146L

ZERO.DGT

surface mount digital keypad
(1 pc/pack)



147L

ZERO.DGT

recess mount digital keypad
(1 pc/pack)



612L

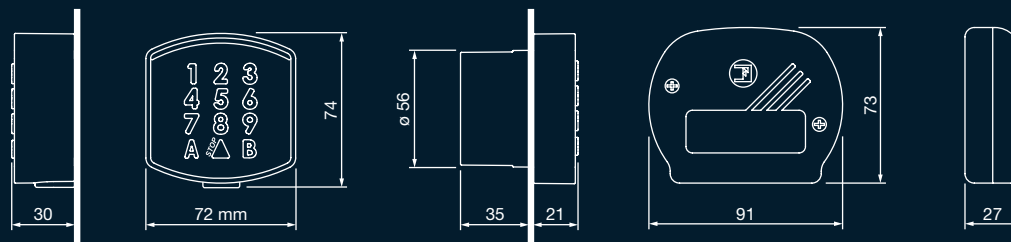
PCB for digital keypad,
with weatherproof casing.
Possibility to connect up to 4 keypads.
Memory capacity 16 codes.
(1 pc/pack)



TECHNICAL DATA

Power supply (Vac/dc)	12/24
Keypad absorption max. (mA)	25
Relay absorption on standby (mA)	4
Relay absorption activated (mA)	27
Working temperature (°C)	-20 ÷ +80
Channels (NO)	2
Channels (NC)	1
Communication distance (m)	max 100
Output contact (A/Vac, VA)	1/125, 60
Keypad grade of protection IP	54

OVERALL DIMENSIONS



ZERO.SAPE

PROXIMITY READER FOR TRANSPONDER DEVICES

Surface and recess versions

EASY TO PROGRAM

Users' configuration directly on the reader by means of programming cards. Visual and sound signalling of correct or wrong reading. The reader is equipped with a mini-USB input for direct reading of the users' memory. With ZERO.SAPE BOX interface it is possible to manage any installation and designate which cards are validated by a dedicated software. Removable memory with 4.000 possible users, divided into two lists with 2.000 users each. Connection by cable.

WEAR RESISTANT

Compact size and dimensions: only 18 mm jutting from surface line level with the recess version. ABS body with a high level of resistance to atmospheric agents and luminous frame by a white led.



148L
ZERO.SAPE
proximity reader, surface mount
(1 pc/pack)



149L
ZERO.SAPE
proximity reader, recess mount
(1 pc/pack)



692L
Receiver PCB for proximity
reader, with weatherproof box.
Memory capacity 4.000 codes
(1 pc/pack)



697L
ZERO.SAPE BOX equipment
to easily manage and program
item code 696L memory card,
even at a distance in the office
(1 pc/pack)



693L
Pair of transponder devices in
card format for programming
692L PCB. Green card to
memorize the card 694L and
the key fob 695L; red card for
deleting.

694L
Transponder device in card
format, blue colour

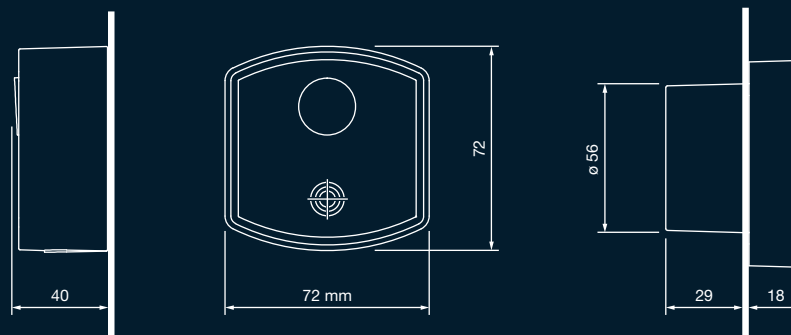
695L
Transponder device, key fob
format, blue colour

696L
Memory card, 4.000 codes

TECHNICAL DATA

Receiver power supply (Vac - Hz)	230 - 50
Reader power supply (Vac/dc)	12
Reader max. absorption (mA)	60
Receiver max. absorption (mA)	10
Working temperature (°C)	-20 ÷ +60
Communication distance (m)	max 100
Reader grade of protection IP	54
Memory (users)	4.000

OVERALL DIMENSIONS





ZERO.PB



INDOOR BUTTON-SWITCH WITH THREE BUTTONS

Surface and recess versions

TOP SECURITY

Metal alloy body, powder coated and highly resistant to atmospheric agents. Incorporated electronic card, with terminals, two NO contacts and one NC contact. Compact size and dimensions: only 20 mm jutting from surface line level with the recess version.

WHEN DESIGN CAN ILLUMINATE

Back-illuminated, luminous frame by a white led. Complete line of posts and fixing supports.



150L
ZERO.PB
switch with three buttons
surface mount (1 pc/pack)

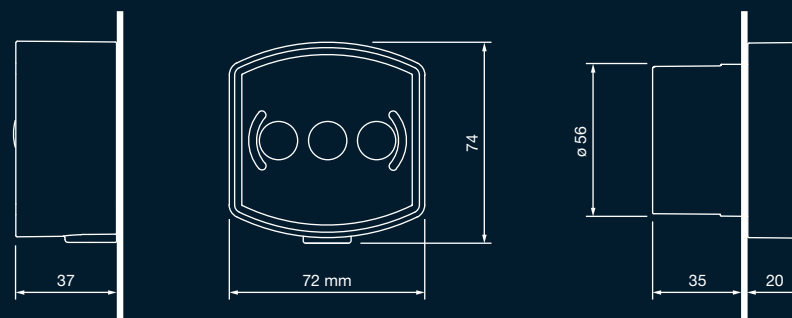
151L
ZERO.PB
switch with three buttons,
recess mount (1 pc/pack)



TECHNICAL DATA

Power supply of the led (Vac/dc)	24
Absorption of the led (mA)	max 8
Working temperature (°C)	-30 ÷ +70
Contact of microswitches	gold triple coating
Microswitch max. load (mA - Vdc)	100 - 30
Grade of protection IP	54

OVERALL DIMENSIONS



WEATHERPROOF ANODIZED ALUMINIUM POSTS

PRACTICAL USAGE

Available for photocells, key-switches, digital keypads, push buttons and proximity readers in the ZERO line. Height options: 500 - 750 - 1.200 mm

DESIGN

A complete line of posts to mount the command and safety accessories in the ZERO line. Strong construction, height options and versions with galvanized steel fixing base plate. Designed for front/back installation of the command and safety accessories.



CODE	DESCRIPTION	HEIGHT (cm)	PCS/PACK
153L	Anodized aluminium post for outdoor applications, with zinc-coated steel fixing base plate and plastic cover, for one accessory of the ZERO product line	50	2
154L	Anodized aluminium post for outdoor applications, without fixing base plate, for one accessory of the ZERO product line	75	2
155L	Anodized aluminium post for outdoor applications, with zinc-coated steel fixing base plate and plastic cover, for one accessory of the ZERO product line	75	2
156L	Anodized aluminium post for outdoor applications, with zinc-coated steel fixing base plate and plastic cover, for one accessory of the ZERO product line	120	1
157L	Anodized aluminium post for outdoor applications, with zinc-coated steel fixing base plate and plastic cover, for two accessories of the ZERO product line	120	1



ZERO.L



FLASHING SIGNAL WITH LED LIGHT. INTEGRATED AERIAL

UNIVERSAL

24 Vac/dc or 230 Vac power supply. Reduced consumption and high brightness.

MATRIX LED

System of lights with a unique design. A new system of illumination, fully customizable: the led light can be fixed, flashing or various integrated dynamic effects.

VERSATILE

Suitable for fixing to a wall or a gate post, without additional components.

152L

ZERO.L

230 Vac – 24 Vac/dc flasher

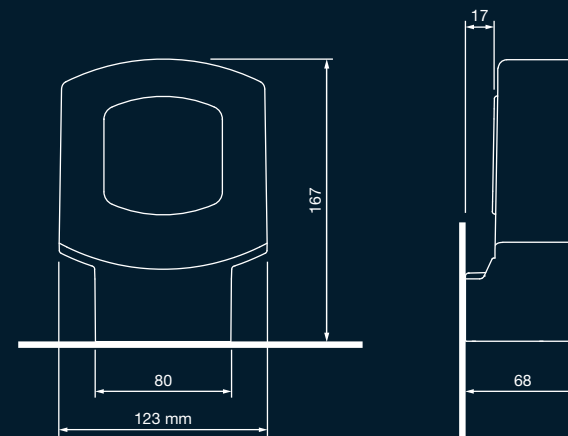
(1 pc/pack)



TECHNICAL DATA

Voltage supply (Vac / Vac/dc)	230 / 24
Power (W)	6
Frequency (Hz)	50
Absorption (A, Vac - A, Vac/dc)	0,026 (230) - 0,2 (24)
Intermittence (cycles/min)	50 approx.
Service	flashing/fixed
Working temperature (°C)	-20 ÷ +80
Transparent dome material	shock resistant methacrylate
Weight (g)	310
Grade of protection IP	54

OVERALL DIMENSIONS



GECO 9



TOKEN OPERATED COMMAND DEVICE

For residential, collective, industrial and city centres

SIMPLE

A mechanical device operated by tokens. Ideal in combination with road barriers and automatic bollards, or for access control applications in general. In case of power failure, no tokens are taken by the device.

ROBUST AND RELIABLE

Notable for its strong construction and reliability: made of steel and powder coated to ensure a high level of resistance to atmospheric agents. A brushed AISI 304 stainless steel version of GECO 9 is also available: this feature makes it suitable for applications in the most harsh weather conditions, for instance in environments with high levels of humidity, condensation and salt, such as seaside locations, or where water splashes are most likely, and aggressive agents in general. Door to access the inside by key for service and token recovery. Operating parts are made of steel and brass, static and non-operating parts are made of strong plastic material.



2028L GECO 9

token operated command device, 24 Vac, AISI 304 stainless steel, complete with anchoring base plate and log bolts (1 pc/pack)



2035L GECO 9

token operated command device, 24 Vac, RAL 2002 polyester powder coated steel, complete with anchoring base plate and log bolts (1 pc/pack)



60L

Customized powder coating, RAL colours



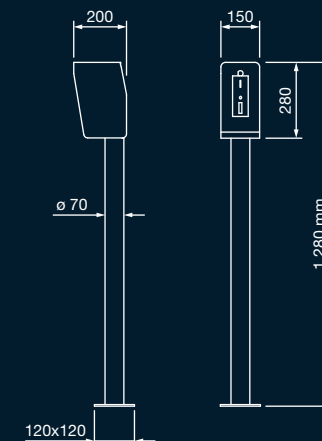
2034L

Nickel-plated steel token

TECHNICAL DATA

Power supply (Vac)	24 - 50
Resistance (Ω)	40
Current absorption (mA)	0,6
Power absorption (W)	15
Micro-contact (A - Vac)	5 - 250
Contact command	rotating
Command functioning	mechanical
Working temperature ($^{\circ}\text{C}$)	-20 ÷ +125
Grade of protection IP	43
Treatment and finishing	cataphoresis and polyester powder coating RAL 2002 orange red
Weight (kg)	8,5
Token reservoir capacity (pcs)	300

OVERALL DIMENSIONS





SAFETY EDGES



SAFETY DEVICE

Designed to prevent the mechanical hazards (impact, crushing, conveying, shearing, cutting and hooking) deriving from the movements of sliding, swinging gates and automated doors in general.

The device can be combined with the ORBITA 57 photocells or ARPO 58 radio link and meets the safety level required by the EN 12978 Norms.

SIMPLE

To be installed and extremely reliable; fastening by clip.

QUICK RESPONSE

As also the ends are made of soft material, sensitive to the slightest impact. NC contact and 8,2 kΩ resistive contact.

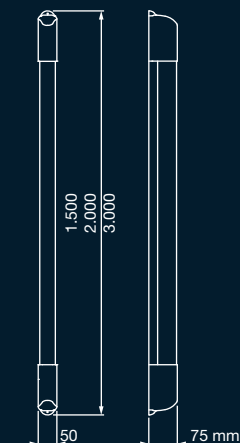


CODE	DESCRIPTION	LENGTH (m)	PC/PACK
2076L	Safety edge with NC and 8,2 kΩ contact, complete with aluminium support	1,5	1
2077L	Safety edge with NC and 8,2 kΩ contact, complete with aluminium support	2	1
2079L	Safety edge with NC and 8,2 kΩ contact, complete with aluminium support	3	1

TECHNICAL DATA

Protection grade IP	54
Working temperature(°C)	-10 ÷ +60
Rubber profile colours	RAL 7045 telegrey 1 / RAL 5003 sapphire blue
Rating of the contacts (Vac/dc)	12 - 24
Belonging category	2/3 EN954-1

OVERALL DIMENSIONS





TRAFFIC LIGHTS

VISUAL SIGNALLING

Signalling traffic lights to control vehicle priority on entry/exit where required, for instance block of flats, residential areas, car parks, etc. Available in various options: 70 W lamp (one, two and three lights) or 5 W LEDs (two and three lights). Other LED options available (two and three lights), either 24 Vac/dc or 230 Vac, dedicated for applications inside VISUAL 344 housing post.

CODE	DESCRIPTION
3200L	Traffic light with red light, 70 W 230 Vac lamp
3201L	Traffic light with yellow light, 70 W 230 Vac lamp
3202L	Traffic light with green light, 70 W 230 Vac lamp
3203L	Traffic lights with red and green lights, 70 W 230 Vac lamp
3204L	Traffic lights with red, yellow and green lights, 70 W 230 Vac lamp
3210L	Traffic lights with red and green lights, 5 W 230 Vac LED
3218L	Traffic lights with red and green lights, 5 W 24 Vac/dc LED
3219L	Traffic lights with red, yellow and green lights, 5 W 230 Vac LED
3221L	Traffic lights with red, yellow and green lights, 5 W 24 Vac/dc LED
3206L	Pair of brackets to fix the traffic lights to a round pole
3212L	Control unit for traffic lights with two or three lights

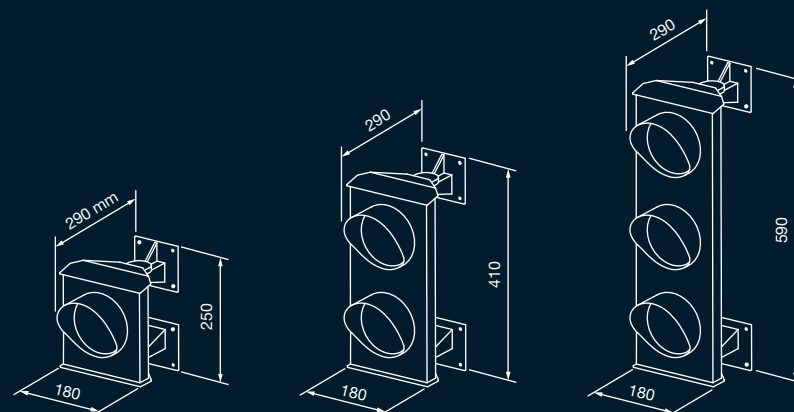
Codes 3200L, 3201L, 3202L, 3203L, 3204L, 3210L, 3218L, 3219L, 3221L include: traffic light/s with extruded aluminium body, 125 mm diameter lens, lamp or LEDs, two wall-fixing brackets with expanding bolts and screws.



TECHNICAL DATA

Power supply (Vac – Hz, Vac/dc)	230 - 50, 24
Lamp absorbed power (W)	70
Pcb absorbed power (W)	5
Lamp average life (hours)	8.000
Pcb average life (hours)	100.000
Technology (for LED version)	1÷3 pcb with 25 LEDs
Lens diameter (mm)	125
Weight with one light (kg)	1,35
Weight with two lights (kg)	2,7
Weight with three lights (kg)	3,25
Grade of protection IP	65
Working temperature (°C)	-30 ÷ +80

OVERALL DIMENSIONS





VIX 53

BIDIRECTIONAL TRANSMITTERS AND RADIO RECEIVERS

868,19 MHz rolling code

DESIGN

Ergonomic and stylish: 4 colours available. It can also be a handy and latest state-of-the-art key fob.

ROLLING CODE

Secure encoding with a 128 bit algorithm. Plug-in or stand alone options with radio receivers, up to 4 channels. Removable memory up to 2.000 users max. Distance: 250 m (open space).

TRANSCIEVER

The transmission of the radio signal is bidirectional, there is a feedback on the transmitter confirming reception of the signal.

RADIO LINK

Extension of the distance of a transmitter radio signal by creating a radio link between several radio receivers.

SECURE

The RED VIX 53 equipment allows for protection key codes to be entered on to the transmitters and radio receivers. SOFTVIXARE enables the creation of a data base and manages complex installations: at a distance it is possible to add, replace or delete a transmitter from the system in case of theft or loss.

FUNCTIONAL

Possibility for a transmitter to be copied, replaced or cancelled at a distance from the installation system.

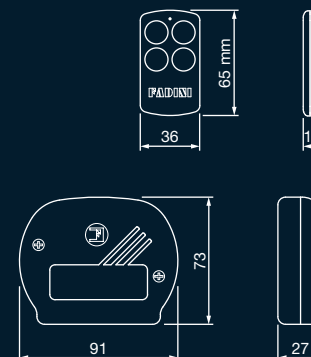


Direct copying and validating between transmitters:
new one and one already memorized

TECHNICAL DATA

	RADIO RECEIVER	TRANSMITTER	RED VIX 53 DEVICE
Working frequency (MHz)	868,19	868,19	868,19
Distance (m) [O]	250	250	-
Power supply (Vac/dc - Vac/dc - Vdc - Vdc)	12/24 (Vix 53/1 R) 24 (Vix 53/2 R)	3 (1x CR2032)	3 (1x CR2032)
Max. absorption (mA)	73	27	27
Technology	transceiver	transceiver	transceiver
Encoding	rolling code - 128 bit	rolling code - 128 bit	rolling code - 128 bit
N. of channels	1 - 4	4	4
Working temperature (°C)	-10 ÷ +55	-40 ÷ +85	-40 ÷ +85
Grade of protection IP stand alone casing	53	-	-
Memory (users)	2.000	-	-

OVERALL DIMENSIONS



[O]: The transmission and receiving distance can be affected by external factors (eg. devices such as alarms, signal repeaters, etc.) using the same frequency. Meccanica Fadini cannot guarantee the actual distance range of one's own accessories in such cases.



VIX 53

TRANSMITTERS

5313GL

VIX 53/4 TR
4-channel transmitter, 868,19 MHz
lime green colour



20 pcs/pack

5313YL

VIX 53/4 TR
4-channel transmitter, 868,19 MHz
mustard yellow colour



20 pcs/pack

5313CL

VIX 53/4 TR
4-channel transmitter, 868,19 MHz
candy lilac colour



20 pcs/pack

5313SL

VIX 53/4 TR
4-channel transmitter, 868,19 MHz
skyline grey colour



20 pcs/pack

RADIO RECEIVERS

5310L

VIX 53/1 R
stand alone radio receiver.
Channels: 1 + 3 (optional)
(1 pc/pack)



5311L

VIX 53/2 R
plug-in radio receiver.
Channels: 2
(1 pc/pack)



ACCESSORIES

CODE	DESCRIPTION
4317L	NO relay module
4605L	BIRIO A8 rod aerial complete with support for wall-fixing
4607L	Coaxial cable RG 58, 50 Ω, 100 m
5314L	Micro USB interface device with management software for VIX 53
5315L	REDVIX53 device to insert protection key codes on transmitters and memories
5316L	Memory card, 2.000 codes
7809L	NC relay module
8619L	Button battery CR2032 3 Vdc

5314L

Micro USB interface device with management software for VIX 53
(1 pc/pack)



5315L

REDVIX53 device to insert protection key codes on transmitters and memories
(1 pc/pack)





DIVO 71



TRANSMITTERS COMPATIBLE WITH ASTRO 43 AND JUBI 433 SERIES

433,92 MHz auto-learning and rolling code



DESIGN

Ergonomic and stylish: 4 colours available. It can also be a handy and latest state-of-the-art key fob.

AUTO-LEARNING AND ROLLING CODE

Compatible with the previous series ASTRO 43 and JUBI 433, and with the respective radio receivers, either plug-in or stand alone, up to 4 channels. Distance: 120 m (open space).

FUNCTIONAL

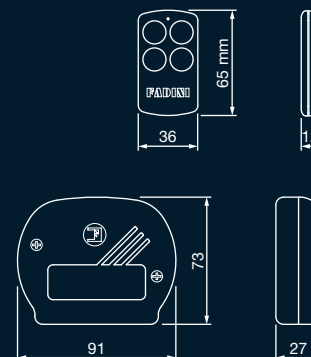
Possibility for a transmitter to be copied at a distance from the installation system.



TECHNICAL DATA

	RADIO RECEIVER ASTRO 43 M.Q.B.	RADIO RECEIVER JUBI 433	TRANSMITTER DIVO 71
Working frequency (MHz)	433,92	433,92	433,92
Distance (m) [O]	120	120	120
Power supply (Vac/dc – Vac – Vdc – Vdc)	12/24	24 (±10%) 12 (+20% -5%)	3 (1x CR2032)
Max. absorption (mA)	23	23	21
Technology	-	-	-
Encoding	fixed code	fixed code	rolling code - 128 bit and fixed code
N. of channels	1 - 4	1 - 4	4
Working temperature (°C)	-10 ÷ +55	-10 ÷ +55	-40 ÷ +85
Grade of protection IP stand alone casing	53	53	-
Memory (users)	800	800	-

OVERALL DIMENSIONS



[O]: The transmission and receiving distance can be affected by external factors (eg. devices such as alarms, signal repeaters, etc.) using the same frequency. Meccanica Fadini cannot guarantee the actual distance range of one's own accessories in such cases.

DIVO 71

TRANSMITTERS

7113GL

DIVO 71/4 TR
4-channel transmitter, 433,92 MHz,
lime green colour



20 pcs/pack

7113YL

DIVO 71/4 TR
4-channel transmitter, 433,92 MHz,
mustard yellow colour



20 pcs/pack

7113CL

DIVO 71/4 TR
4-channel transmitter, 433,92 MHz,
candy lilac colour



20 pcs/pack

7113SL

DIVO 71/4 TR
4-channel transmitter, 433,92 MHz,
skyline grey colour



20 pcs/pack

RADIO RECEIVERS

4327L

ASTRO 43/1 R M.Q.B.
stand alone radio receiver
Channels: 1 + 3 (optional)
(1 pc/pack)



4329L

ASTRO 43/2 R M.Q.B.
plug-in radio receiver
Channels: 2
(1 pc/pack)



4330L

JUBI 433/1 R
stand alone radio receiver
Channels: 1 + 3 (optional)
(1 pc/pack)



4332L

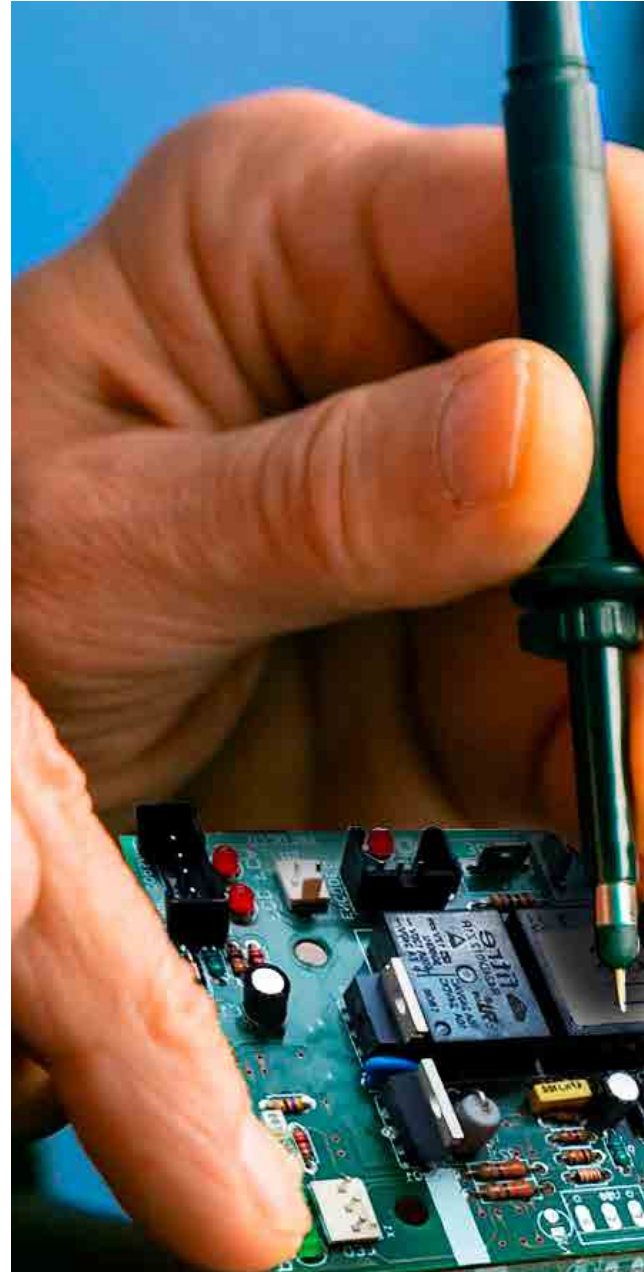
JUBI 433/2 R
plug-in radio receiver
Channels: 2
(1 pc/pack)

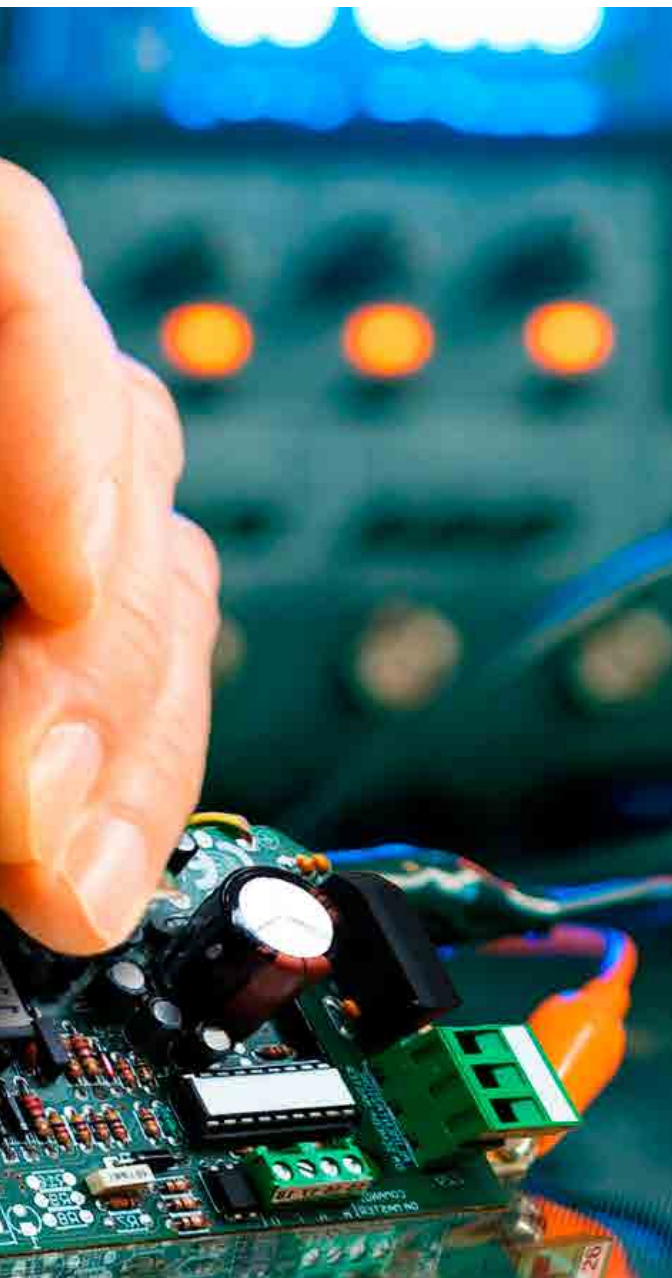


ACCESSORIES

CODE	DESCRIPTION
4060L	Memory card, 800 users
4317L	NO relay module
4605L	BIRIO A8 rod aerial complete with support for wall-fixing
4607L	Coaxial cable RG 58, 50 Ω, 100 m
7809L	NC relay module
8619L	Button battery CR2032 3 Vdc

ELECTRONIC CONTROL UNITS





ELPRO 62	130
ELPRO 63	130
ELPRO 12 EVO	131
ELPRO 12 PLUS FN	131
ELPRO 70/3 PLUS	132
ELPRO 37	132
ELPRO 37 DS	133
ELPRO 37 FN	133
ELPRO 37 HP	134
ELPRO 35M	135
ELPRO 35S	135
ELPRO 42	136
ELPRO 42 - 110 V	136
ELPRO 43	137
ELPRO 7 RP	137
ELPRO 27	138
ELPRO 27 HP - 110 V	138
ELPRO 27 HP - 230 V	139
ELPRO 37 DB	139
ELPRO 6 exp	140
ELPRO 88 exp	141
ELPRO 980	141
ELPRO XE	142
ELECTRONIC BOARD ACCESSORIES	143





GUIDE TO CHOICE



FOR SLIDING GATES



ELPRO 62
for JUNIOR 624
for one motor, 24 Vdc
with encoder



ELPRO 63
for JUNIOR 633 - 650
for one motor, 230 Vac 1PH
with encoder



ELPRO 12 EVO
for NYOTA 115 EVO
for one motor, 230 Vac 1PH
with encoder



ELPRO 12 PLUS FN
for NYOTA 115 EVO rev.
for one motor, 230 Vac 1PH



ELPRO 70/3 PLUS
for MEC 200
for one motor, 230 Vac 1PH or
230/400 Vac 3PH



ELPRO 37
for one motor, 230 Vac 1PH
or 230/400 Vac 3PH



ELPRO 37 DS
for two motors, 230 Vac 1PH
or 230/400 Vac 3PH



ELPRO 37 FN
for one motor, 230 Vac 1PH
or 230/400 Vac 3PH
with negative brake



ELPRO 37 HP
for one motor
230/400 Vac 3PH



FOR SWINGING GATES



ELPRO 35M
for BART 350 Master
for one motor, 24 Vdc
with encoder



ELPRO 35S
electronic board
for BART 350 Slave for one
motor 24 Vdc with encoder



ELPRO 42
for DARDO 424
for two motors 24 Vdc
with encoder



ELPRO 42 - 110 V
for DARDO 424
for two motors, 24 Vdc
with encoder



ELPRO 43
for DARDO 430
for two motors, 230 Vac 1PH
with encoder



ELPRO 7 RP
for NUPI 66
for two motors, 230 Vac 1PH



ELPRO 27
for two motors, 230 Vac 1PH



ELPRO 27 HP - 110 V
for two motors, 110 Vac 1PH



ELPRO 27 HP - 230 V
for two motors, 230 Vac 1PH



ELPRO 37 DB
for two motors, 230 Vac 1PH
or 230/400 Vac 3PH



FOR INDUSTRIAL AND GARAGE DOORS



ELPRO 6 exp
for one motor, 230 Vac 1PH



ELPRO 37
for one motor, 230 Vac 1PH or
230/400 Vac 3PH



ELPRO 37 DS
for two motors, 230 Vac 1PH or
230/400 Vac 3PH



ELPRO 37 HP
for one motor
230/400 Vac 3PH



FOR AUTOMATIC BARRIERS



ELPRO 88 exp
for BARRI 88
for one motor, 230 Vac 1PH



ELPRO 980
for BAYT 980
for one motor, 230 Vac 1PH



ELPRO XE
for two motors, 230 Vac 1PH

ELPRO CONTROL UNITS

The electronic control units are completely designed and produced in the workshops of Meccanica Fadini.

They comply with the existing regulations and directives for electromagnetic compatibility and can meet any installation requirements: for swinging and sliding gates, automatic beam barriers, doors, double or single industrial doors as well as folding doors and automatic oil-hydraulic bollards.

Each type of ELPRO control unit incorporates a dedicated circuitry of logic functions for a specific type of operator. Easy to program.

All of the boards are fitted with a connector for Fadini plug-in radio receivers.

It is possible to incorporate into them a disconnecting switch, having a knob locking the box lid.





FUNCTIONS AND CONNECTIONS OF THE CONTROL UNITS

• supported

- not supported

	ELPRO 62 ELPRO 63	ELPRO 12 EVO	ELPRO 70/3 PLUS	ELPRO 37	ELPRO 35	ELPRO 42 ELPRO 43
Three-phase operators	-	-	•	•	-	-
Photocell stop on opening	•	•	•	•	•	•
2 ^a pair photocell input	•	•	-	•	•	•
Safety edge dedicated input	•	•	-	•	•	•
2 ^a safety edge dedicated input	•	•	-	•	•	•
Device for photocell Safety Autotest (DSA)	•	-	-	•	•	•
Device for safety edge Autotest (DACs)	•	•	-	•	•	•
Electronic brake	•	•	-	•	-	-
Memorize remaining motor run time on interrupted cycles	-	-	-	-	-	-
Gradual acceleration and slowdown	•	•	-	-	•	•
Torque control adjustment	•	•	-	-	•	•
RT data	•	•	-	-	•	•
Run times learning by radio remote control	•	•	-	-	•	•
Secondary board activation (slave mode)	•	•	-	-	•	-
Electric lock	-	-	•	•	-	•
Step-by-step mode	•	•	•	•	•	•
Deadman control (hold-on-switched)	-	•	•	•	-	-
Pedestrian opening	•	•	•	•	•	•
Pedestrian opening by remote control	•	•	•	•	•	•
Stroke reversing pulse	-	•	-	-	-	•
External clock	•	•	•	•	•	•
Courtesy light	•	•	•	•	•	•
Automation status indication light	•	•	•	•	•	•
Semiautomatic mode	•	•	•	•	•	•
Automatic mode	•	•	•	•	•	•
Pre-flashing	•	•	•	•	•	•
No flashing in dwell time, automatic mode	•	•	•	•	•	•
Plug-in radio card	•	•	•	•	•	•
No travel reverse by remote control on opening	•	•	•	•	•	•
Auto-close: gate recloses on crossing photocells	•	•	-	•	•	•
Pre-set for traffic light, up to 3 lights	-	-	-	•	-	-



• supported - not supported

ELPRO 7 RP ELPRO 27 ELPRO 6 exp ELPRO 88 exp ELPRO 980 ELPRO XE

Three-phase operators	-	-	-	-	-	-
Photocell stop on opening	•	•	-	-	•	•
2 ^a pair photocell input	-	•	-	-	-	•
Safety edge dedicated input	-	•	-	-	-	-
2 ^a safety edge dedicated input	-	•	-	-	-	-
Device for photocell Safety Autotest (DSA)	-	•	-	-	-	-
Device for safety edge Autotest (DACS)	-	•	-	-	-	-
Electronic brake	-	-	-	-	-	-
Memorize remaining motor run time on interrupted cycles	•	•	-	-	-	•
Gradual acceleration and slowdown	-	-	-	-	-	-
Torque control adjustment	•	-	-	-	-	•
RT data	-	-	-	-	-	-
Run times learning by radio remote control	•	-	-	-	-	-
Secondary board activation (slave mode)	-	-	-	-	•	-
Electric lock	•	•	-	-	-	•
Step-by-step mode	•	•	•	•	•	•
Deadman control (hold-on-switched)	-	•	-	-	•	•
Pedestrian opening	•	•	-	-	-	•
Pedestrian opening by remote control	•	•	-	-	-	•
Stroke reversing pulse	-	•	-	-	-	•
External clock	-	•	-	-	•	•
Courtesy light	-	•	•	-	-	•
Automation status indication light	•	•	-	-	•	•
Semiautomatic mode	•	•	•	•	•	•
Automatic mode	•	•	•	•	•	•
Pre-flashing	•	•	-	-	•	•
No flashing in dwell time, automatic mode	•	•	-	-	•	•
Plug-in radio card	•	•	•	•	•	•
No travel reverse by remote control on opening	•	•	-	-	•	•
Auto-close: gate recloses on crossing photocells	-	•	-	-	•	•
Pre-set for traffic light, up to 3 lights	-	•	-	-	•	-



FOR SLIDING GATES

620L ELPRO 62

COMPATIBILITY

Electronic control unit for JUNIOR 624.

OPERATING MODES

Automatic, semiautomatic, step by step automatic, pedestrian and pre-flashing.

MAIN FUNCTIONS

Simple programming by one button: gate travel settings by auto-learning, slowdowns, gate travel reversing on obstacle impact, preset for a second sliding gate (master/slave), electronic brake. Green/red diagnostic LED lights for an easy assessment of the operator status. Possibility to connect 2 x 2,6 Ah - 12 V batteries. (DSA) photocells autotest, (DACs) safety edges autotest, logic system (RT DATA). Working temperature -20 °C +55 °C.



630L ELPRO 63

COMPATIBILITY

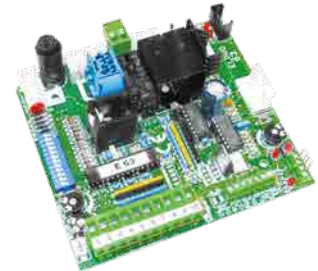
Electronic control unit for JUNIOR 633 and JUNIOR 650.

OPERATING MODES

Automatic, semiautomatic, step by step automatic, pedestrian and pre-flashing.

MAIN FUNCTIONS

Simple programming by one button: gate travel settings by auto-learning, slowdowns, gate travel reversing on obstacle impact, preset for a second sliding gate (master/slave), electronic brake. Green/red diagnostic LED lights for an easy assessment of the operator status. (DSA) photocells autotest, (DACs) safety edges autotest, logic system (RT DATA). Working temperature -20 °C +55 °C.



TECHNICAL FEATURES

	620L ELPRO 62	630L ELPRO 63
Board supply voltage 1PH (Vac - Hz)	230 - 50	230 - 50
Board supply voltage 3PH (Vac - Hz)	-	-
Motor max. power (W)	200	375
Courtesy light output (Vdc - mA)	24 - 50	24 - 50
Output for photocells/keyswitch/radio receiver (Vdc - mA)	24 - 500	24 - 500
Pilot light output (Vdc - W)	24 - 1	24 - 1
DSA control output (Vdc - mA)	24 - 150	24 - 150
Flashing light output (Vdc - W Vac - W)	24 - 15	230 - 25
Motor run time (s)	-	-
Dwell time (s)	1 - 120	1 - 120
Gate delay time on closing (s)	-	-
Pedestrian opening time (min)	max 3	max 3

FOR SLIDING GATES

7063L ELPRO 12 EVO

COMPATIBILITY

Electronic control unit for NYOTA 115 EVO.

OPERATING MODES

Automatic, semiautomatic, step by step automatic, deadman control, pedestrian and pre-flashing.

MAIN FUNCTIONS

Simple programming by one button: electronic brake, programmable slowdowns, preset to take an external clock, master/slave option, gate travel reversing on obstacle detection by encoder, (DSA) photocells autotest, (DACS) safety edges autotest, logic system (RT DATA). Working temperature -20 °C +55 °C.



7064L ELPRO 12 PLUS FN

COMPATIBILITY

Electronic control unit for NYOTA 115 EVO.

OPERATING MODES

Automatic, semiautomatic, step by step automatic, deadman control, pedestrian and pre-flashing.

MAIN FUNCTIONS

Negative brake (the operator is turned into a reversible unit only in case of power disconnection), preset to take an external clock, (DSA) photocells autotest, (DACS) safety edges autotest. Working temperature -20 °C +55 °C.



TECHNICAL FEATURES

	7063L ELPRO 12 EVO	7064L ELPRO 12 PLUS FN
Board supply voltage 1PH (Vac - Hz)	230 - 50	230 - 50
Board supply voltage 3PH (Vac - Hz)	-	-
Motor max. power (W)	-	-
Courtesy light output (Vac - W - min)	230 - 100 - 3	230 - 100 - 3
Output for photocells/keyswitch/radio receiver (Vac - mA)	24 - 500	24 - 500
Pilot light output (Vac - W)	24 - 3	24 - 3
DSA control output (Vdc - mA)	-	-
Flashing light output (Vac - W)	230 - 25	230 - 25
Motor run time (s)	1 - 200	1 - 200
Dwell time (s)	2 - 128	2 - 128
Gate delay time on closing (s)	-	-
Pedestrian opening time (s)	2 - 30	2 - 30



FOR SLIDING GATES

7060L ELPRO 70/3 PLUS

COMPATIBILITY

Electronic control unit for MEC 200.

OPERATING MODES

Automatic, semiautomatic, step by step automatic, deadman control, pedestrian and pre-flashing.

MAIN FUNCTIONS

Intuitive settings by trimmers and dip-switches: electric lock power supply, radio card plug-in connector, connections for photocells, preset for external clock, operator status indication. Single- and three-phase power supply. Working temperature -20 °C +55 °C.



7087L ELPRO 37

COMPATIBILITY

Electronic control unit for sliding gates.

OPERATING MODES

Automatic, semiautomatic, step by step automatic, deadman control, pedestrian and pre-flashing.

MAIN FUNCTIONS

Intuitive settings by trimmers and dip-switches: electric lock power supply, preset for external clock, electronic brake, operator status indication. (DSA) photocells autotest, (DACS) safety edges autotest, preset for traffic lights up to 3 lights. Single- and three-phase power supply. Box size 210x295x110 mm. Grade of protection IP 64. Working temperature -20 °C +55 °C.



TECHNICAL FEATURES

	7060L ELPRO 70/3 PLUS	7087L ELPRO 37
Board supply voltage 1PH (Vac - Hz)	230 - 50	230 - 50/60
Board supply voltage 3PH (Vac - Hz)	230/400 - 50	400 - 50/60
Motor max. power (W)	375	750 1PH - 1.200 3PH
Courtesy light output (Vac)	Relay 12	Relay 12
Output for photocells/keyswitch/radio receiver (Vac - mA)	24 - 500	24 - 500
Pilot light output (Vac - W)	24 - 3	24 - 3
DSA control output (Vac - mA)	-	24 - 150
Flashing light output (Vac - W)	230 - 25	230 - 25
Motor run time (s)	5 - 150	0 - 120
Dwell time (s)	5 - 150	1 - 220
Gate delay time on closing (s)	-	-
Pedestrian opening time (s)	3 - 30	1 - 45

FOR SLIDING GATES

7180L ELPRO 37 DS

COMPATIBILITY

Electronic control unit for two motors for sliding gates.

OPERATING MODES

Automatic, semiautomatic, step by step automatic, deadman control, pedestrian and pre-flashing.

MAIN FUNCTIONS

Intuitive settings by trimmers and dip-switches: electric lock power supply, preset for external clock, electronic brake, operator status indication, (DSA) photocells autotest, (DACS) safety edges autotest, preset for traffic lights up to 3 lights. Single- and three-phase power supply. Box size 210x295x110 mm. Grade of protection IP 64. Working temperature -20 °C +55 °C.



7184L ELPRO 37 FN

COMPATIBILITY

Electronic control unit for sliding gate motors.

OPERATING MODES

Automatic, semiautomatic, step by step automatic, deadman control, pedestrian and pre-flashing.

MAIN FUNCTIONS

Intuitive settings by trimmers and dip-switches: negative brake (the operator is turned into a reversible unit only in case of power disconnection), electric lock power supply, preset to take an external clock, operator status indication, (DSA) photocells autotest, (DACS) safety edges autotest, preset for traffic lights up to 3 lights. Single- and three-phase power supply. Box size 210x295x110 mm. Grade of protection IP 64. Working temperature -20 °C +55 °C.



TECHNICAL FEATURES

	7180L ELPRO 37 DS	7184L ELPRO 37 FN
Board supply voltage 1PH (Vac - Hz)	230 - 50/60	230 - 50/60
Board supply voltage 3PH (Vac - Hz)	400 - 50/60	400 - 50/60
Motor max. power (W)	750 1PH - 1.200 3PH	750 1PH - 1.200 3PH
Courtesy light output (Vac)	Relay 12	Relay 12
Output for photocells/keyswitch/radio receiver (Vac - mA)	24 - 500	24 - 500
Pilot light output (Vac - W)	24 - 3	24 - 3
DSA control output (Vac - mA)	24 - 150	24 - 150
Flashing light output (Vac - W)	230 - 25	230 - 25
Motor run time (s)	0 - 120	0 - 120
Dwell time (s)	1 - 220	1 - 220
Gate delay time on closing (s)	-	-
Pedestrian opening time (s)	1 - 45	1 - 45



FOR SLIDING GATES

7185L ELPRO 37 HP

COMPATIBILITY

Electronic control unit with power contactors and electronic brake for sliding gate motors and motors with or without limit switches (max 3 HP single-phase or 5 HP three-phase).

OPERATING MODES

Automatic, semiautomatic, step by step automatic, deadman control, pedestrian and pre-flashing.

MAIN FUNCTIONS

Intuitive settings by trimmers and dip-switches: electric lock power supply, preset to take an external clock, electronic brake, operator status indication, (DSA) photocells autotest, (DACS) safety edges autotest, preset for traffic lights up to 3 lights. Single- and three-phase power supply. Box size 210x295x110 mm. Grade of protection IP 64. Working temperature -20 °C +55 °C.



TECHNICAL FEATURES

Board supply voltage 1PH (Vac - Hz)

Board supply voltage 3PH (Vac - Hz)

Motor max. power (W)

Courtesy light output (Vac)

Output for photocells/keyswitch/radio receiver (Vac - mA)

Pilot light output (Vac - W)

DSA control output (Vac - mA)

Flashing light output (Vac - W)

Motor run time (s)

Dwell time (s)

Gate delay time on closing (s)

Pedestrian opening time (s)

7185L ELPRO 37 HP

230 - 50/60

400 - 50/60

2.200 1PH - 3.650 3PH

Relay 12

24 - 500

24 - 3

24 - 150

230 - 25

0 - 120

1 - 220

-

1 - 45

FOR SWINGING GATES

3518L ELPRO 35M

COMPATIBILITY

Electronic control unit for BART 350 Master.

OPERATING MODES

Automatic, semiautomatic, step by step automatic, pedestrian and pre-flashing.

MAIN FUNCTIONS

Simple programming by one button: gate travel settings by auto-learning, slowdowns, gate travel reversing on obstacle impact, preset for connection to ELPRO 35S, slave control board. Intuitive settings by trimmers and dip-switches, green/red diagnostic LED lights for an easy assessment of the operator status, (DSA) photocells autotest, (DACs) safety edges autotest, logic system (RT DATA). Working temperature -20 °C +55 °C.



3519L ELPRO 35S

COMPATIBILITY

Electronic control board for the operator BART 350 Slave.

MAIN FUNCTIONS

Working temperature -20 °C +55 °C.



TECHNICAL FEATURES

Board supply voltage 1PH (Vac - Hz)	230 - 50
Board supply voltage 3PH (Vac - Hz)	-
Motor max. power (W)	200
Courtesy light output (Vdc - mA)	24 - 50
Output for photocells/keyswitch/radio receiver (Vdc - mA)	24 - 500
Pilot light output (Vdc - W)	24 - 1
DSA control output (Vdc)	24
Flashing light output (Vdc)	24
Motor run time (s)	-
Dwell time (s)	1 - 120
Gate delay time on closing (s)	-
Pedestrian opening time (s)	-

3518L ELPRO 35M



FOR SWINGING GATES

4200L ELPRO 42

COMPATIBILITY

Electronic control unit for DARDO 424.

OPERATING MODES

Automatic, semiautomatic, step by step automatic, pedestrian, stroke reversing pulse and pre-flashing.

MAIN FUNCTIONS

Simple programming by one button: motor run time, with or without gate delays, fixed slowdown on opening and closing phases. Amperometric function and encoder for gate travel reversing on impact. (DSA) photocells autotest, (DACS) safety edges autotest, logic system (RT DATA), dedicated output for electric lock, dedicated inputs for safety edges, speed adjustment, force adjustment and dwell time adjustment by trimmers. Dedicated outputs for two motors. Possibility to connect two x 2,6 Ah – 12 V batteries. Box size 210x295x110 mm. Grade of protection IP 64. Working temperature -20 °C +55 °C. Power supply by 12 V battery.



4202L ELPRO 42 - 110 V

COMPATIBILITY

Electronic control unit for DARDO 424. 110 Vac board power supply.

OPERATING MODES

Automatic, semiautomatic, step by step automatic, pedestrian, stroke reversing pulse and pre-flashing.

MAIN FUNCTIONS

Simple programming by one button: motor run time, with or without gate delays, fixed slowdown on opening and closing phases. Amperometric function and encoder for gate travel reversing on impact. (DSA) photocells autotest, (DACS) safety edges autotest, logic system (RT DATA), dedicated output for electric lock, dedicated inputs for safety edges, speed adjustment, force adjustment and dwell time adjustment by trimmers. Dedicated outputs for two motors. Possibility to connect two x 2,6 Ah – 12 V batteries. Box size 210x295x110 mm. Grade of protection IP 64. Working temperature -20 °C +55 °C. Power supply by 12 V battery.



TECHNICAL FEATURES

	4200L ELPRO 42	4202L ELPRO 42 - 110 V
Board supply voltage 1PH (Vac - Hz)	230 - 50	110 - 50/60
Board supply voltage 3PH (Vac - Hz)	-	-
Motor max. power (W)	200	200
Courtesy light output (Vdc - mA)	24 - 50	24 - 50
Output for photocells/keyswitch/radio receiver (Vdc - mA)	24 - 500	24 - 500
Pilot light output (Vdc - W)	24 - 3	24 - 3
DSA control output (Vdc - mA)	24 - 150	24 - 150
Flashing light output (Vdc - W)	24 - 15	24 - 15
Motor run time (s)	-	-
Dwell time (s)	1 - 120	1 - 120
Gate delay time on closing (s)	-	-
Pedestrian opening time (s)	-	-

FOR SWINGING GATES

4300L ELPRO 43

COMPATIBILITY

Electronic control unit for DARDO 430.

OPERATING MODES

Automatic, semiautomatic, step by step automatic, pedestrian, stroke reversing pulse and pre-flashing.

MAIN FUNCTIONS

Simple programming by one button: motor run time, with or without gate delays, fixed slowdown on opening and closing phases. Amperometric function and encoder for gate travel reversing on impact. (DSA) photocells autotest, (DACS) safety edges autotest, logic system (RT DATA), dedicated output for electric lock, dedicated inputs for safety edges, speed adjustment, force adjustment and dwell time adjustment by trimmers. Dedicated outputs for two motors. Box size 210x295x110 mm. Grade of protection IP 64. Working temperature -20 °C +55 °C.



6610L ELPRO 7 RP

COMPATIBILITY

Electronic control unit for NUPI 66.

OPERATING MODES

Automatic, semiautomatic, step by step automatic, pedestrian and pre-flashing.

MAIN FUNCTIONS

Simple programming by one button: torque control, electric lock power supply, radio card plug-in connector, connections for photocells and open-stop-close push buttons, green/red diagnostic LED lights for an easy assessment of the operator status, low and high voltage fuses, storing of the time settings. Box size 210x295x110 mm. Grade of protection IP 64. Working temperature -20 °C +55 °C.



TECHNICAL FEATURES

	4300L ELPRO 43	6610L ELPRO 7 RP
Board supply voltage 1PH (Vac - Hz)	230 - 50	230 - 50
Board supply voltage 3PH (Vac - Hz)	-	-
Motor max. power (W)	500	500
Courtesy light output (Vdc - mA)	24 - 50	-
Output for photocells/keyswitch/radio receiver (Vdc - mA)	24 - 500	24 - 500
Pilot light output (Vdc - W Vac - W)	24 - 3	24 - 3
DSA control output (Vdc)	24	-
Flashing light output (Vac - W)	230 - 25	230 - 25
Motor run time (s)	-	~ 20
Dwell time (s)	1 - 120	on automatic 15, max 90
Gate delay time on closing (s)	-	6
Pedestrian opening time (s)	-	-



FOR SWINGING GATES

7047L ELPRO 27

COMPATIBILITY

Electronic control unit for single or double swinging gate motors, with or without limit switches. For single or double sliding gate motors (max 0,5 HP with mechanical clutch).

OPERATING MODES

Automatic, semiautomatic, step by step automatic, deadman control, pedestrian, stroke reversing pulse and pre-flashing.

MAIN FUNCTIONS

Intuitive settings by trimmers and dip-switches: electric lock power supply, (DSA) photocells autotest, (DACS) safety edges autotest, preset for traffic lights up to 3 lights, storing of time settings, operator status indication. Box size 210x295x110 mm. Grade of protection IP 64. Working temperature -20 °C +55 °C.



7048L ELPRO 27 HP - 110 V

COMPATIBILITY

Electronic control unit for single or double swinging gate motors, with or without limit switches. For single or double sliding gate motors (max 0,5 HP with mechanical clutch). 110 Vac board power supply.

OPERATING MODES

Automatic, semiautomatic, step by step automatic, deadman control, pedestrian, stroke reversing pulse and pre-flashing.

MAIN FUNCTIONS

Intuitive settings by trimmers and dip-switches: electric lock power supply, (DSA) photocells autotest, (DACS) safety edges autotest, preset for traffic lights up to 3 lights, storing of time settings, operator status indication. Box size 210x295x110 mm. Grade of protection IP 64. Working temperature -20 °C +55 °C.



TECHNICAL FEATURES

	7047L ELPRO 27	7048L ELPRO 27 HP - 110 V
Board supply voltage 1PH (Vac - Hz)	230 - 50/60	110 - 50/60
Board supply voltage 3PH (Vac - Hz)	-	-
Motor max. power (W)	750	750
Courtesy light output (Vac - W)	230 - 100	230 - 100
Output for photocells/keyswitch/radio receiver (Vac)	24	24
Pilot light output (Vac - W)	24 - 3	24 - 3
DSA control output (Vac - mA)	24 - 150	24 - 150
Flashing light output (Vac - W)	230 - 25	230 - 25
Motor run time (s)	0 - 120 (sliding) 0 - 60 (swinging)	0 - 120 (sliding) 0 - 60 (swinging)
Dwell time (s)	1 - 220	1 - 220
Gate delay time on closing (s)	0 - 10	0 - 10
Pedestrian opening time (s)	1 - 45	1 - 45

FOR SWINGING GATES

7042L ELPRO 27 HP - 230 V

COMPATIBILITY

Electronic control unit for single or double swinging gate motors, with or without limit switches. For single or double sliding gate motors (max 1,5 HP with mechanical clutch). 230 Vac board power supply.

OPERATING MODES

Automatic, semiautomatic, step by step automatic, deadman control, pedestrian, stroke reversing pulse and pre-flashing.

MAIN FUNCTIONS

Intuitive settings by trimmers and dip-switches: electric lock power supply, (DSA) photocells autotest, (DACS) safety edges autotest, preset for traffic lights up to 3 lights, storing of time settings, operator status indication. Box size 210x295x110 mm. Grade of protection IP 64. Working temperature -20 °C +55 °C.



7183L ELPRO 37 DB

COMPATIBILITY

Electronic control unit for double swinging gate motors (max 1,5 HP three-phase or 1,0 HP single-phase).

OPERATING MODES

Automatic, semiautomatic, step by step automatic, deadman control, pedestrian, stroke reversing pulse and pre-flashing.

MAIN FUNCTIONS

Intuitive settings by trimmers and dip-switches: electric lock power supply, preset for external clock, electronic brake, operator status indication. (DSA) photocells autotest, (DACS) safety edges autotest, preset for traffic lights up to 3 lights. Single- and three-phase power supply. Box size 210x295x110 mm. Grade of protection IP 64. Working temperature -20 °C +55 °C.



TECHNICAL FEATURES

	7042L ELPRO 27 HP - 230 V	7183L ELPRO 37 DB
Board supply voltage 1PH (Vac - Hz)	230 - 50/60	230 - 50/60
Board supply voltage 3PH (Vac - Hz)	-	400 - 50/60
Motor max. power (W)	2.200	750 1PH - 1.200 3PH
Courtesy light output (Vac - W Vac)	230 - 100	Relay 12
Output for photocells/keyswitch/radio receiver (Vac - mA)	24	24 - 500
Pilot light output (Vac - W)	24 - 3	24 - 3
DSA control output (Vac - mA)	24 - 150	24 - 150
Flashing light output (Vac - W)	230 - 25	230 - 25
Motor run time (s)	0 - 120 (sliding) 0 - 60 (swinging)	0 - 120
Dwell time (s)	1 - 220	1 - 220
Gate delay time on closing (s)	0 - 10	0 - 10
Pedestrian opening time (s)	1 - 45	-



FOR INDUSTRIAL AND GARAGE DOORS

243L ELPRO 6 exp

COMPATIBILITY

Electronic control unit for APROLI 480.

OPERATING MODES

Automatic, semiautomatic, step by step automatic.

MAIN FUNCTIONS

Intuitive settings by trimmers and dip-switches: button switch to open/stop/close operations, radio card plug-in connector, photocells connections, low and high voltage fuses, automatic closing. Box size 147x197x80 mm. Grade of protection IP 56. Working temperature -20 °C +55 °C.



7087L ELPRO 37

(see page 132 for the technical features)



7180L ELPRO 37 DS

(see page 133 for the technical features)



7185L ELPRO 37 HP

(see page 134 for the technical features)



TECHNICAL FEATURES

Board supply voltage 1PH (Vac - Hz)	230 - 50
Board supply voltage 3PH (Vac - Hz)	-
Motor max. power (W)	400
Courtesy light output (Vac - W)	230 - 25
Output for photocells/keyswitch/radio receiver (Vac - mA)	24 - 500
Pilot light output (Vac - W)	-
DSA control output (Vac - mA)	-
Flashing light output (Vac - W)	230 - 25
Motor run time (s)	-
Dwell time (s)	-
Gate delay time on closing (s)	-
Pedestrian opening time (s)	-

243L ELPRO 6 exp

FOR AUTOMATIC BARRIERS

2431L ELPRO 88 exp

COMPATIBILITY

Electronic control unit for BARRI 88.

OPERATING MODES

Automatic, semiautomatic, step by step automatic.

MAIN FUNCTIONS

Intuitive settings by trimmers and dip-switches: radio card plug-in connector, photocells connections, low and high voltage fuses, automatic closing. Box size 147x197x80 mm. Grade of protection IP 56.

Working temperature -20 °C +55 °C.



9899L ELPRO 980

COMPATIBILITY

Electronic control unit for BAYT 980.

OPERATING MODES

Automatic, semiautomatic, step by step automatic, deadman control and pre-flashing.

MAIN FUNCTIONS

Intuitive settings by trimmers and dip-switches: preset to operate two synchronized barriers at a time (master/slave), external clock, traffic lights up to 3 lights, operator status indication. Box size 235x314x139 mm.

Grade of protection IP 53. Working temperature -20 °C +55 °C.



TECHNICAL FEATURES

	2431L ELPRO 88 exp	9899L ELPRO 980
Board supply voltage 1PH (Vac - Hz)	230 - 50	230 - 50
Board supply voltage 3PH (Vac - Hz)	-	-
Motor max. power (W)	400	1.200
Courtesy light output (Vac)	-	-
Output for photocells/keyswitch/radio receiver (Vac - mA)	24 - 500	24 - 500
Pilot light output (Vac - W)	-	24 - 3
DSA control output (Vac - mA)	-	-
Flashing light output (Vac - W)	230 - 25	230 - 25
Motor run time (s)	60	25 max
Dwell time (s)	-	0 - 180
Gate delay time on closing (s)	-	-
Pedestrian opening time (s)	-	-



FOR TWO 230 Vac 1PH MOTORS

7271L ELPRO XE

COMPATIBILITY

Electronic control unit for motors with or without mechanical limit switch.

OPERATING MODES

Automatic, semiautomatic, step by step automatic, deadman control, pedestrian, stroke reversing pulse and pre-flashing.

MAIN FUNCTIONS

Intuitive settings by trimmers and dip-switches: dedicated output for electric lock, storing of time settings, torque control for electromechanical motor operators, external clock, traffic lights up to 3 lights, diagnostic green/red LED lights to easily assess the operator status. Box size 210x295x110 mm. Grade of protection IP 64.

Working temperature -20 °C +55 °C.



TECHNICAL FEATURES

Board supply voltage 1PH (Vac - Hz)	230 - 50
Board supply voltage 3PH (Vac - Hz)	-
Motor max. power (W)	750
Courtesy light output (Vac - W)	230 - 100
Output for photocells/keyswitch/radio receiver (Vac)	24
Pilot light output (Vac - W)	24 - 3
DSA control output (Vac - mA)	24 - 150
Flashing light output (Vac - W)	230 - 25
Motor run time (s)	0 - 120 (sliding) 0 - 60 (swinging)
Dwell time (s)	0 - 220
Gate delay time on closing (s)	0 - 10
Pedestrian opening time (s)	0 - 30

7271L ELPRO XE

ACCESSORIES FOR ELECTRONIC BOARDS

2746L HELIOS 29

COMPATIBILITY

Plug-in electronic pcb studied for ELPRO 27/S40/7RP/XE control units.

MAIN FUNCTIONS

It allows, in the most cold environments (-40 °C), for the oil inside Fadini oil-hydraulic actuators to stay within its normal working temperature range. It is easy to select the temperature at which HELIOS 29 is activated by a trimmer on the board, using the thermostat integrated inside HELIOS 29. Complete with temperature probe with 5 m cable and connector. It is also possible to connect an external thermostat (optional accessory) to take the temperature at a distance from the HELIOS 29 card and therefore pilot the same.

Board size 50x110x160 mm. Probe size 60x67x70 mm.



7230L DUPCO 72

COMPATIBILITY

Electronic pcb studied for the entire range of ELPRO control units.

MAIN FUNCTIONS

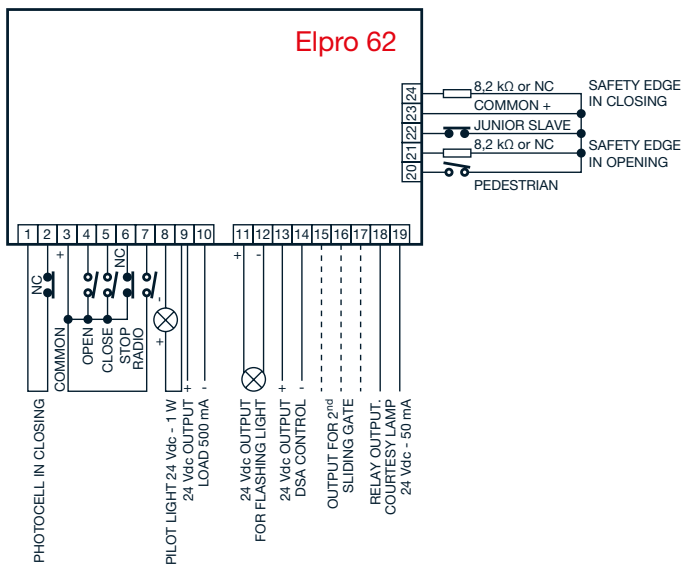
By DUPCO 72 it is possible to get two dry output contacts by duplicating the single contact inputs of the limit switches. It is possible to connect to it up to two motor operators fitted with limit switches.

Board size 32x61x100 mm.

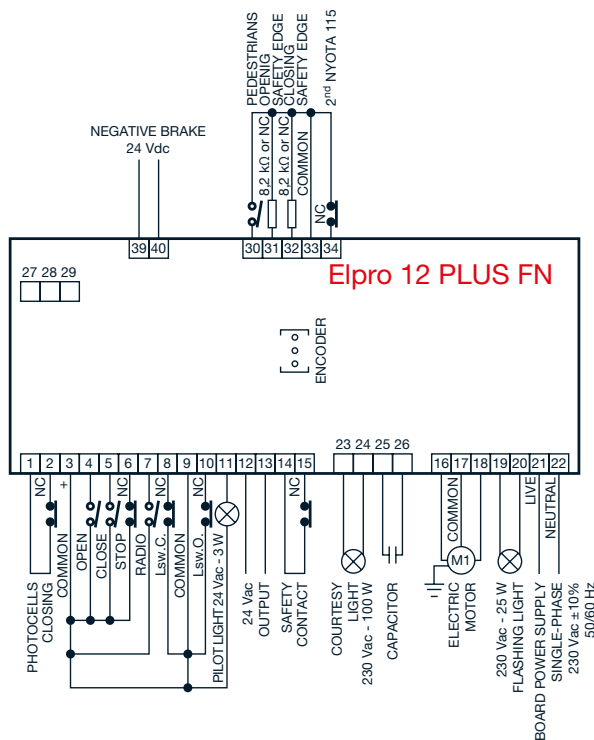
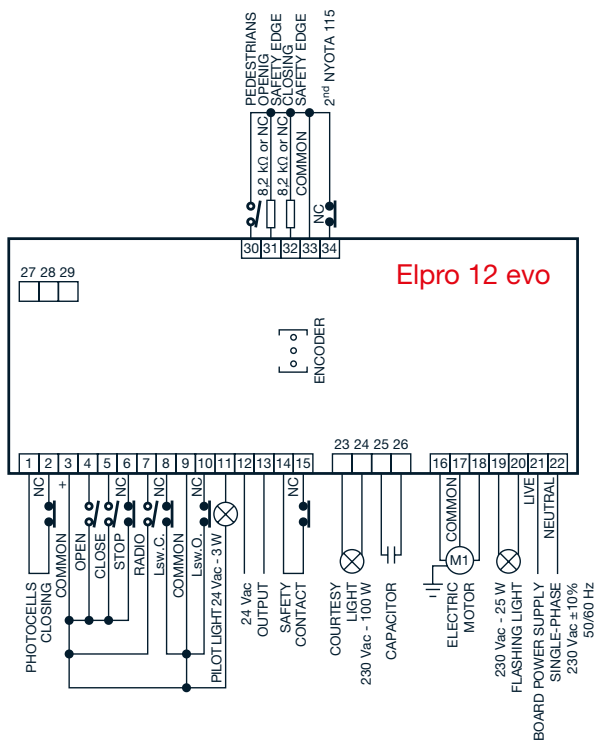
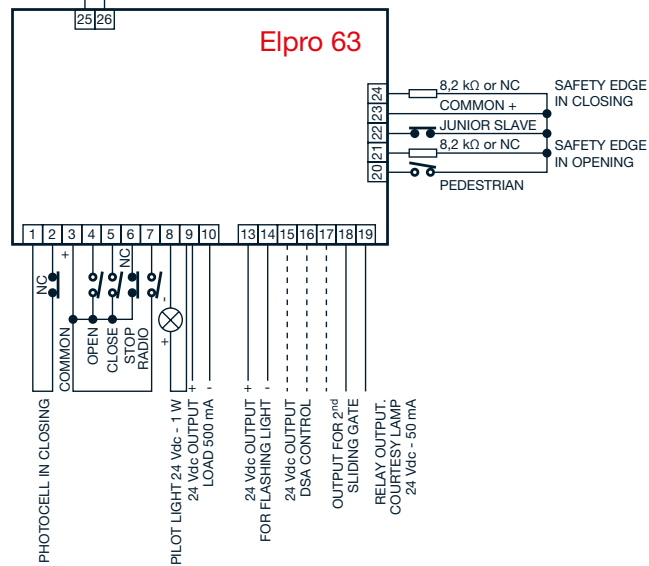


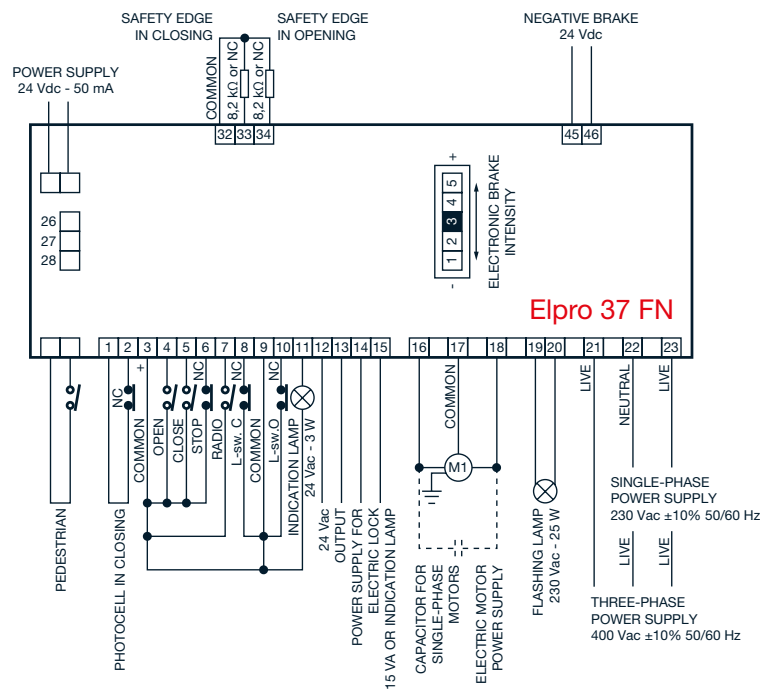
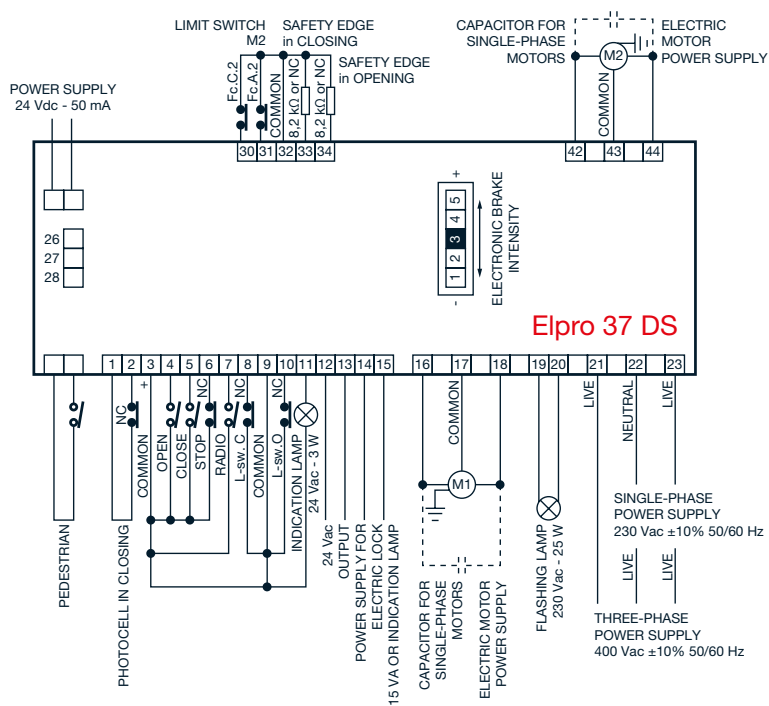
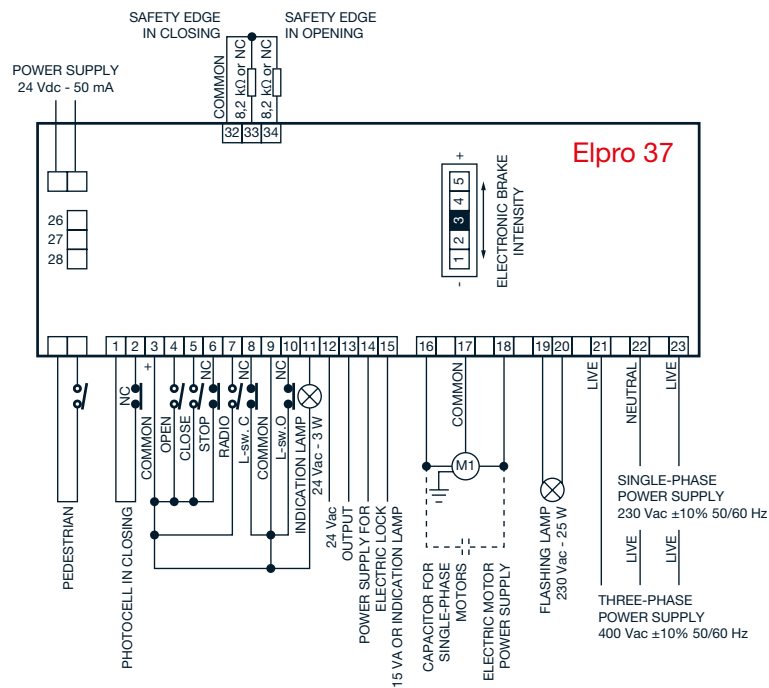
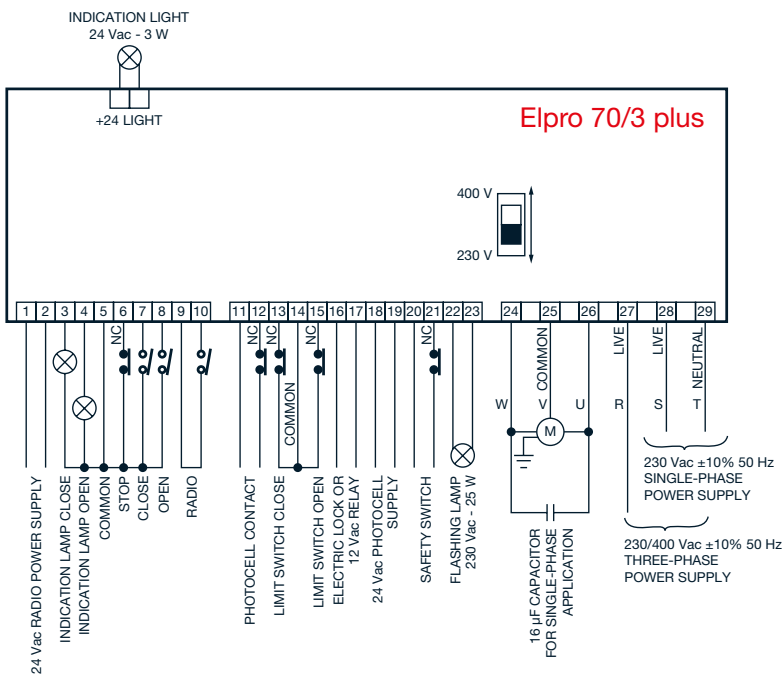
SPECIFIC ACCESSORIES

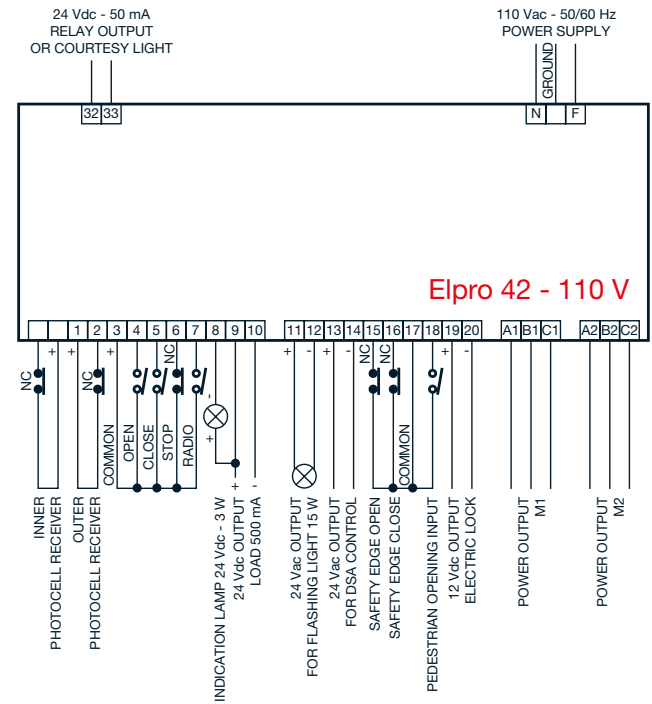
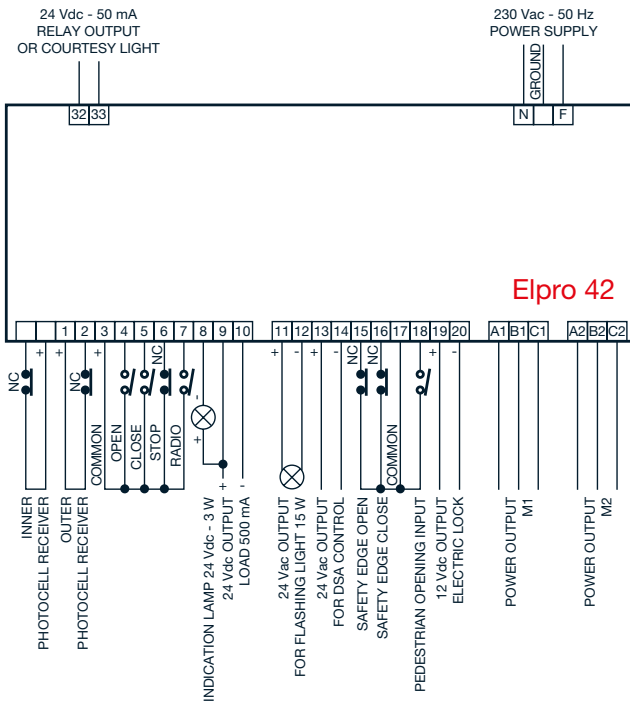
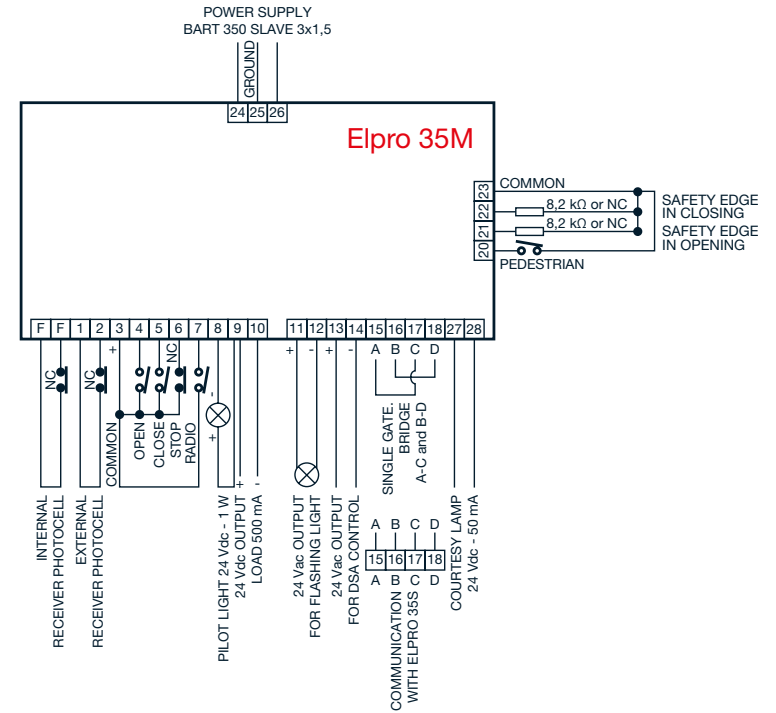
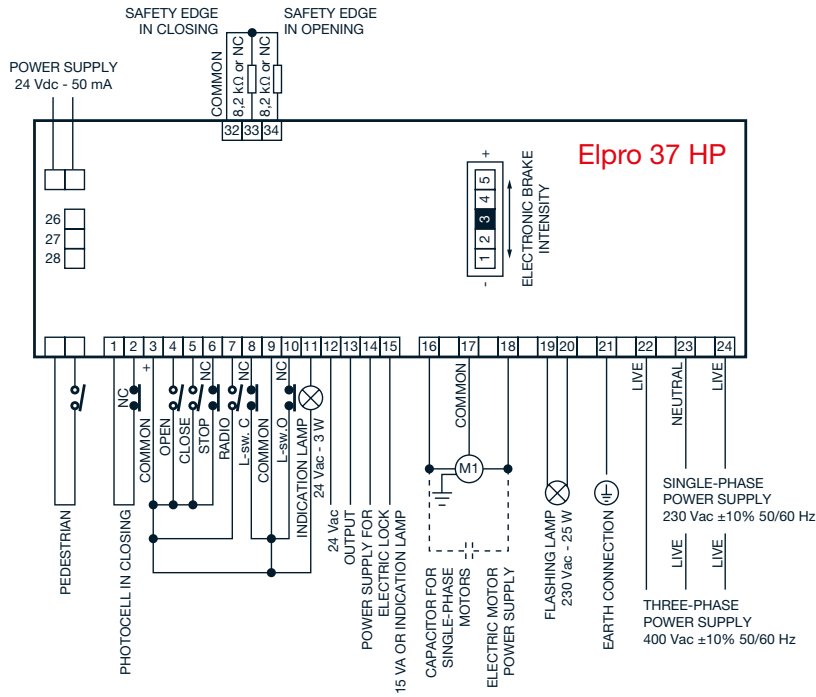
CODE	DESCRIPTION
	2729L Polycarbonate box for external applications, with hinged lid, for the ELPRO control units. Grade of protection IP 64. Dimensions of the box 210x295x110 mm
	2731L Lockable door knob complete with front cover plate 48x48 mm, yellow-red and screws
	2732L 3-pole disconnecter switch for door knob control
	7062L Microprocessor for ELPRO control units
	7282L Plug-in electronic card for traffic lights control, for the ELPRO control units (where applicable)



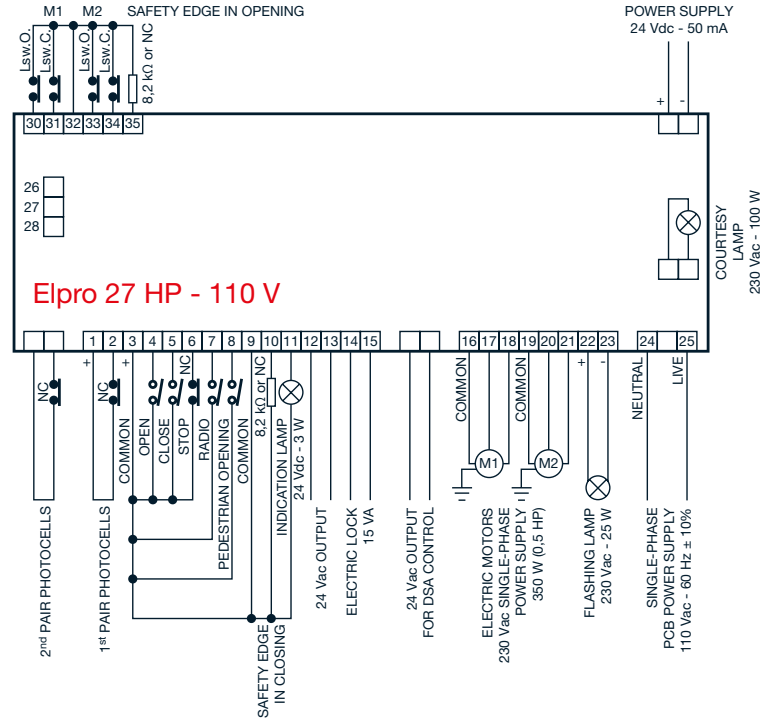
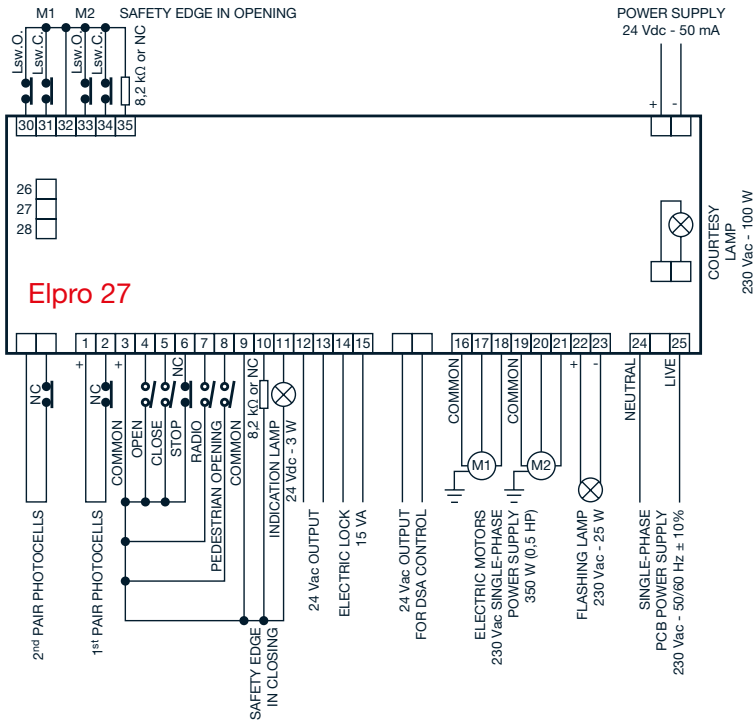
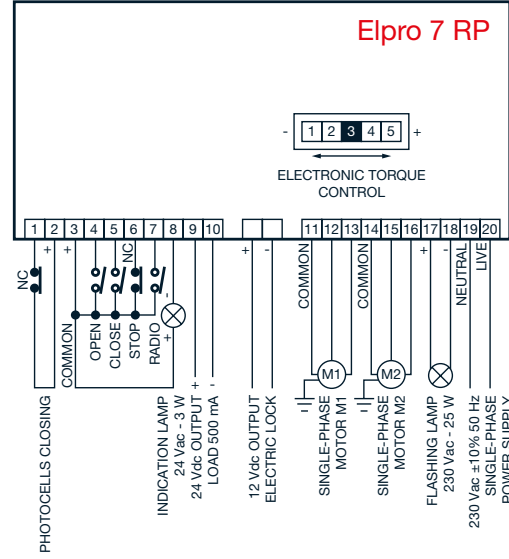
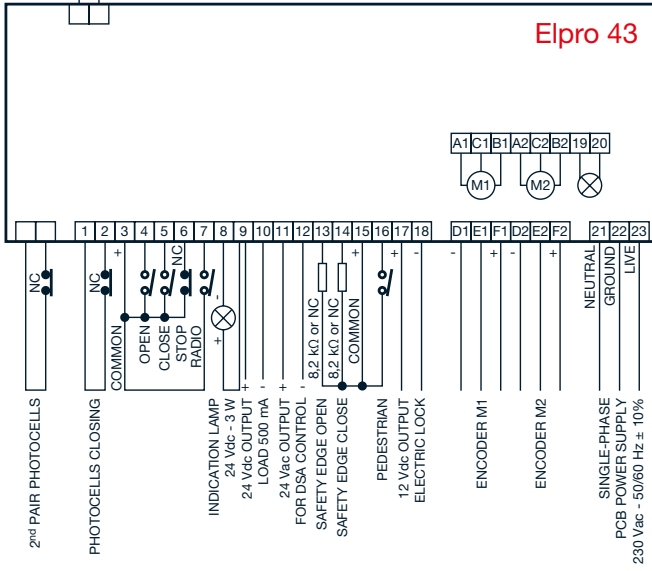
OUTPUT FOR FLASHING LIGHT
230 Vac - 25 W

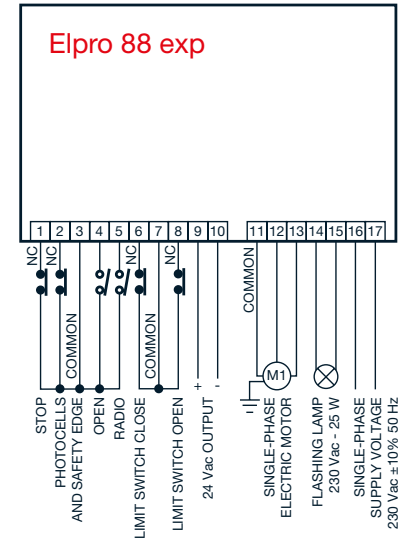
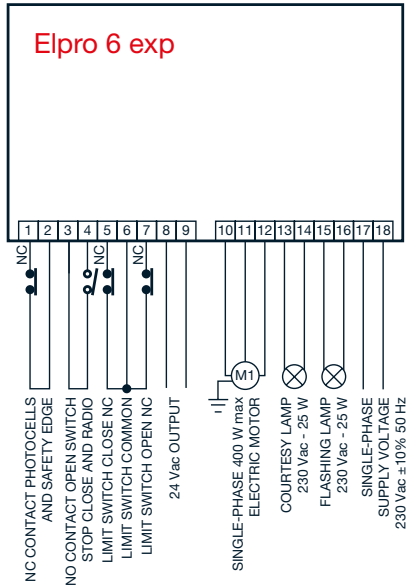
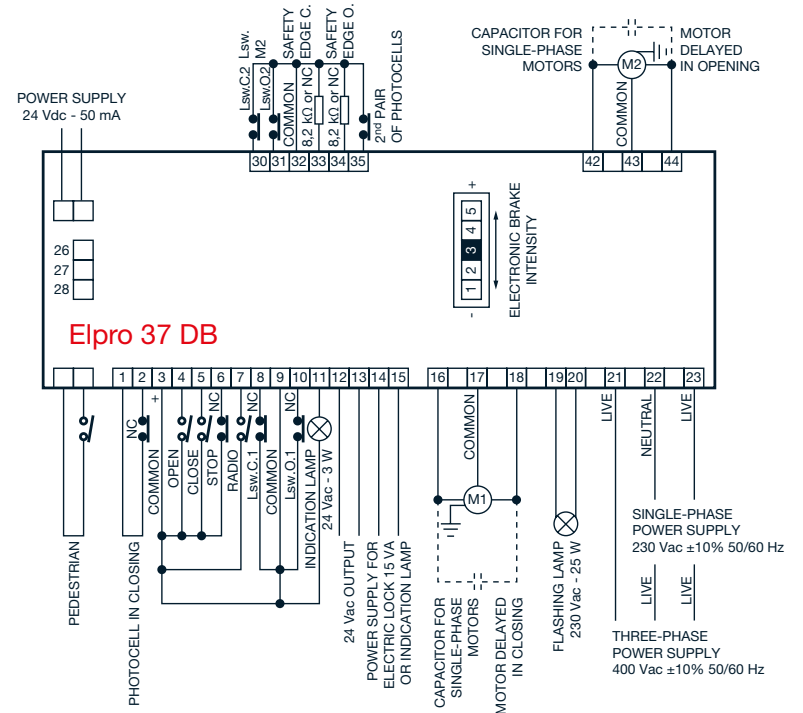
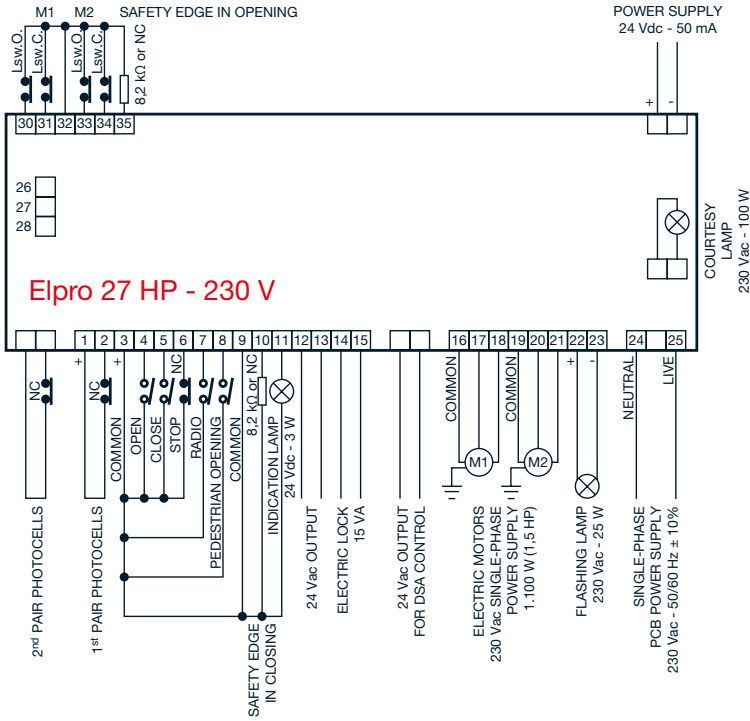


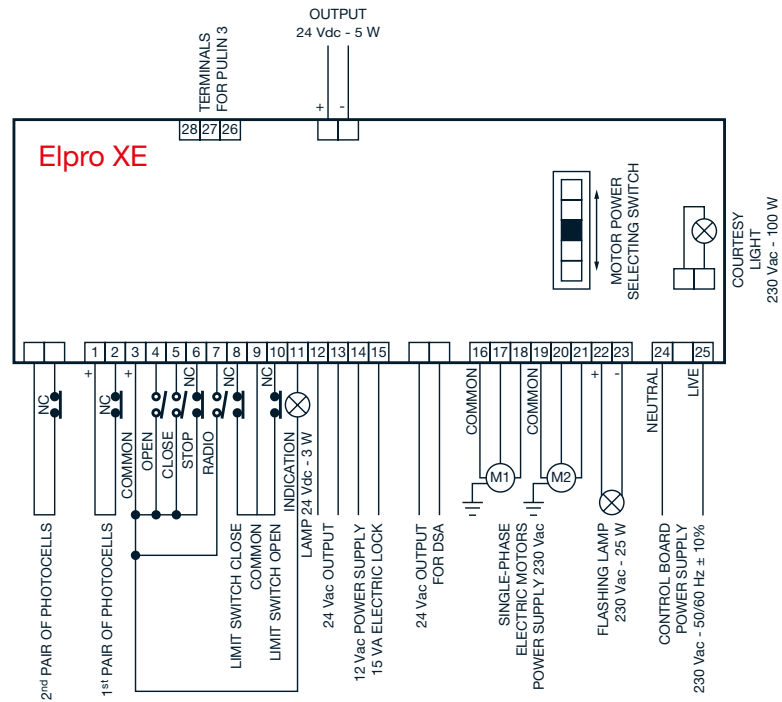
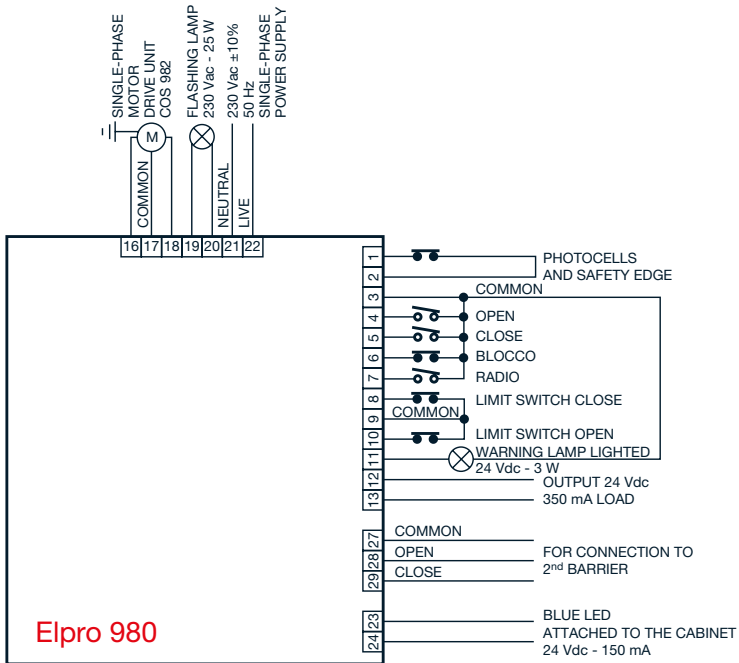




24 Vdc - 50 mA
RELAY OUTPUT
OR COURTESY LIGHT







Automations in

KIT





FOR SLIDING GATES

JUNIOR 624 kit 152

JUNIOR 633 kit 153

JUNIOR 650 kit 154

FOR SWINGING GATES

DARDO 424 kit 155

DARDO 430 kit 156

HINDI 880 SPRINT kit 157

NUPI 66 kit 158

BART 350 kit 159

FOR OVERHEAD DOORS

APROLI 480 kit 160





KIT JUNIOR 624

624K0VL kit

for sliding gates up to 400 kg
residential applications



624L

24 Vdc geared motor operator with
ELPRO 62 control unit, magnetic limit switch,
speed 12 m/min

1x

625K0VL kit

for sliding gates up to 400 kg
residential applications



624L

24 Vdc geared motor operator with
ELPRO 62 control unit, magnetic limit switch,
speed 12 m/min

1x



1x

142L

ZERO.K
key-switch, surface mount
standard cylinder



1x

140L

ZERO.PH
pair of photocells, surface mount



1x

5313GL

VIX 53/4 TR
4-channel transmitter, 868,19 MHz
lime green colour



1x

5311L

VIX 53/2 R
plug-in radio receiver



1x

152L

ZERO.L
Flashing light, 230 Vac - 24 Vac/dc



1x

2127L

Warning plate

18 kits / pallet



1x

140L

ZERO.PH
pair of photocells, surface mount



2x

5313GL

VIX 53/4 TR
4-channel transmitter, 868,19 MHz
lime green colour



1x

5311L

VIX 53/2 R
plug-in radio receiver



1x

152L

ZERO.L
Flashing light, 230 Vac - 24 Vac/dc



1x

2127L

Warning plate

18 kits / pallet



KIT JUNIOR 633

633K0VL kit

for sliding gates up to 600 kg
residential, collective and industrial applications



633L

230 Vac geared motor operator with
ELPRO 63 control unit, magnetic limit switch,
speed 10 m/min

1x

634K0VL kit

for sliding gates up to 600 kg
residential, collective and industrial applications



633L

230 Vac geared motor operator with
ELPRO 63 control unit, magnetic limit switch,
speed 10 m/min

1x



1x

142L

ZERO.K
key-switch, surface mount
standard cylinder



1x

140L

ZERO.PH
pair of photocells, surface mount



1x

5313GL

VIX 53/4 TR
4-channel transmitter, 868,19 MHz
lime green colour



1x

5311L

VIX 53/2 R
plug-in radio receiver



1x

152L

ZERO.L
Flashing light, 230 Vac - 24 Vac/dc



1x

2127L

Warning plate

18 kits / pallet



1x

140L

ZERO.PH
pair of photocells, surface mount



2x

5313GL

VIX 53/4 TR
4-channel transmitter, 868,19 MHz
lime green colour



1x

5311L

VIX 53/2 R
plug-in radio receiver



1x

152L

ZERO.L
Flashing light, 230 Vac - 24 Vac/dc



1x

2127L

Warning plate

18 kits / pallet



KIT JUNIOR 650

650K0VL kit
for sliding gates up to 1.200 kg
industrial applications



650L
230 Vac geared motor operator with
ELPRO 63 control unit, magnetic limit switch,
speed 10 m/min

1x

651K0VL kit
for sliding gates up to 1.200 kg
industrial applications



650L
230 Vac geared motor operator with
ELPRO 63 control unit, magnetic limit switch,
speed 10 m/min

1x



1x **142L**
ZERO.K
key-switch, surface mount
standard cylinder



1x **140L**
ZERO.PH
pair of photocells, surface mount



1x **5313GL**
VIX 53/4 TR
4-channel transmitter, 868,19 MHz
lime green colour



1x **5311L**
VIX 53/2 R
plug-in radio receiver



1x **152L**
ZERO.L
Flashing light, 230 Vac - 24 Vac/dc



1x **2127L**
Warning plate

18 kits / pallet



1x **140L**
ZERO.PH
pair of photocells, surface mount



2x **5313GL**
VIX 53/4 TR
4-channel transmitter, 868,19 MHz
lime green colour



1x **5311L**
VIX 53/2 R
plug-in radio receiver



1x **152L**
ZERO.L
Flashing light, 230 Vac - 24 Vac/dc



1x **2127L**
Warning plate

18 kits / pallet



KIT DARDO 424

4240K0VL kit

for swinging gates with leaves up to 400 kg weight and 2,5 m length, residential applications

424L

24 Vdc operator

2x



4241K0VL kit

for swinging gates with leaves up to 400 kg weight and 2,5 m length, residential applications

424L

24 Vdc operator

2x



1x **4200L**
ELPRO 42
control unit



1x **142L**
ZERO.K
key-switch, surface mount
standard cylinder



1x **140L**
ZERO.PH
pair of photocells, surface mount



1x **5313GL**
VIX 53/4 TR
4-channel transmitter, 868,19 MHz
lime green colour



1x **5311L**
VIX 53/2 R
plug-in radio receiver



1x **152L**
ZERO.L
Flashing light, 230 Vac - 24 Vac/dc



1x **2127L**
Warning plate

15 kits / pallet



1x **4200L**
ELPRO 42
control unit



1x **140L**
ZERO.PH
pair of photocells, surface mount



2x **5313GL**
VIX 53/4 TR
4-channel transmitter, 868,19 MHz
lime green colour



1x **5311L**
VIX 53/2 R
plug-in radio receiver



1x **152L**
ZERO.L
Flashing light, 230 Vac - 24 Vac/dc



1x **2127L**
Warning plate

15 kits / pallet



KIT DARDO 430

4301K0VL kit

for swinging gates with leaves up to 350 kg weight and 2,8 m length, residential applications

430L

230 Vac operator

2x



4302K0VL kit

for swinging gates with leaves up to 350 kg weight and 2,8 m length, residential applications

430L

230 Vac operator

2x



1x **4300L**
ELPRO 43
control unit



1x **142L**
ZERO.K
key-switch, surface mount
standard cylinder



1x **140L**
ZERO.PH
pair of photocells, surface mount



1x **5313GL**
VIX 53/4 TR
4-channel transmitter, 868,19 MHz
lime green colour



1x **5311L**
VIX 53/2 R
plug-in radio receiver



1x **152L**
ZERO.L
Flashing light, 230 Vac - 24 Vac/dc



1x **2127L**
Warning plate

15 kits / pallet



1x **4300L**
ELPRO 43
control unit



1x **140L**
ZERO.PH
pair of photocells, surface mount



2x **5313GL**
VIX 53/4 TR
4-channel transmitter, 868,19 MHz
lime green colour



1x **5311L**
VIX 53/2 R
plug-in radio receiver



1x **152L**
ZERO.L
Flashing light, 230 Vac - 24 Vac/dc



1x **2127L**
Warning plate

15 kits / pallet



KIT HINDI 880 SPRINT

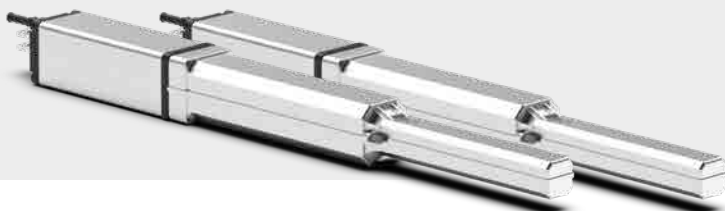
8820K0VL kit

for swinging gates with leaves up to 400 kg weight and 2,3 m length, residential applications

888L

230 Vac oil-hydraulic operator, locking in closed position

2x



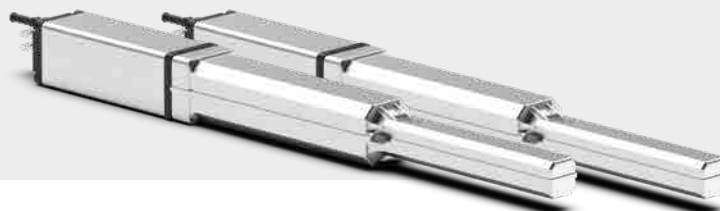
8821K0VL kit

for swinging gates with leaves up to 400 kg weight and 2,3 m length, residential applications

888L

230 Vac oil-hydraulic operator, locking in closed position

2x



1x **7047L**
ELPRO 27
control unit



1x **142L**
ZERO.K
key-switch, surface mount
standard cylinder



1x **107L**
TRIFO 11
pair of photocells, surface mount



1x **5313GL**
VIX 53/4 TR
4-channel transmitter, 868,19 MHz
lime green colour



1x **5311L**
VIX 53/2 R
plug-in radio receiver



1x **152L**
ZERO.L
Flashing light, 230 Vac - 24 Vac/dc



1x **2127L**
Warning plate

12 kits / pallet



1x **7047L**
ELPRO 27
control unit



1x **107L**
TRIFO 11
pair of photocells, surface mount



2x **5313GL**
VIX 53/4 TR
4-channel transmitter, 868,19 MHz
lime green colour



1x **5311L**
VIX 53/2 R
plug-in radio receiver



1x **152L**
ZERO.L
Flashing light, 230 Vac - 24 Vac/dc



1x **2127L**
Warning plate

12 kits / pallet



KIT NUPI 66

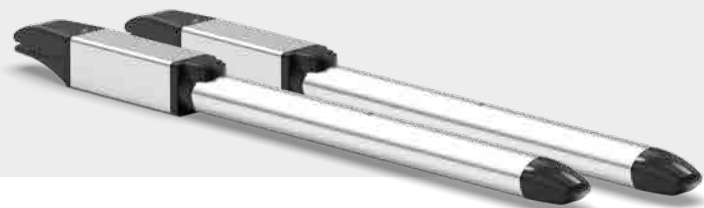
6660K0VL kit

for swinging gates with leaves up to 400 kg weight and 2,5 m length, residential applications

661L

230 Vac oil-hydraulic operator, locking in closed position

2x



1x **6610L**
ELPRO 7 RP
control unit



1x **142L**
ZERO.K
key-switch, surface mount
standard cylinder



1x **107L**
TRIFO 11
pair of photocells, surface mount



1x **5313GL**
VIX 53/4 TR
4-channel transmitter, 868,19 MHz
lime green colour



1x **5311L**
VIX 53/2 R
plug-in radio receiver



1x **152L**
ZERO.L
Flashing light, 230 Vac - 24 Vac/dc



1x **2127L**
Warning plate

15 kits / pallet

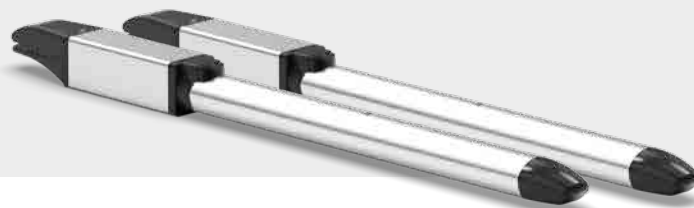
6661K0VL kit

for swinging gates with leaves up to 400 kg weight and 2,5 m length, residential applications

661L

230 Vac oil-hydraulic operator, locking in closed position

2x



1x **6610L**
ELPRO 7 RP
control unit



1x **107L**
TRIFO 11
pair of photocells, surface mount



2x **5313GL**
VIX 53/4 TR
4-channel transmitter, 868,19 MHz
lime green colour



1x **5311L**
VIX 53/2 R
plug-in radio receiver



1x **152L**
ZERO.L
Flashing light, 230 Vac - 24 Vac/dc



1x **2127L**
Warning plate

15 kits / pallet



KIT BART 350

3520K0VL kit

for swinging gates with leaves up to 300 kg weight and 2,3 m length, residential applications



- 1x **351L** Master geared motor operator 24 Vdc with ELPRO 35M control unit
- 1x **352L** Slave geared motor operator 24 Vdc with ELPRO 35S control board
- 2x **358L** Articulated arm

3521K0VL kit

for swinging gates with leaves up to 300 kg weight and 2,3 m length, residential applications



- 1x **351L** Master geared motor operator 24 Vdc with ELPRO 35M control unit
- 1x **352L** Slave geared motor operator 24 Vdc with ELPRO 35S control board
- 2x **358L** Articulated arm



- 1x **142L** ZERO.K key-switch, surface mount standard cylinder



- 1x **140L** ZERO.PH pair of photocells, surface mount



- 1x **5313GL** VIX 53/4 TR 4-channel transmitter, 868,19 MHz lime green colour



- 1x **5311L** VIX 53/2 R plug-in radio receiver



- 1x **152L** ZERO.L Flashing light, 230 Vac - 24 Vac/dc



- 1x **2127L** Warning plate

12 kits / pallet



- 1x **140L** ZERO.PH pair of photocells, surface mount



- 2x **5313GL** VIX 53/4 TR 4-channel transmitter, 868,19 MHz lime green colour



- 1x **5311L** VIX 53/2 R plug-in radio receiver



- 1x **152L** ZERO.L Flashing light, 230 Vac - 24 Vac/dc



- 1x **2127L** Warning plate

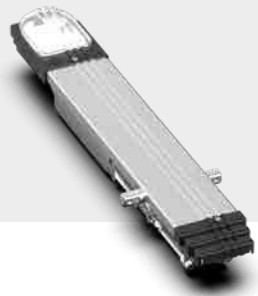
12 kits / pallet



KIT **APROLI 480**

465K0VL kit

for garage doors, up to 7 m² door surface



1x 482L
230 Vac oil-hydraulic operator

1x 510L
Cover complete with courtesy light



1x 483L
Fixing hardware kit for one operator



1x 243L
ELPRO 6 exp
control unit



1x 107L
TRIFO 11
pair of photocells, surface mount



1x 5313GL
VIX 53/4 TR
4-channel transmitter, 868,19 MHz
lime green colour



1x 5311L
VIX 53/2 R
plug-in radio receiver



1x 4605L
BIRIO A8 rod aerial
complete with support for wall fixing



1x 2127L
Warning plate

6 kits / pallet





COMPONENTS FOR GATES

2061L

Wheel \varnothing 90 mm V groove with ball bearing and fixing bolt.
For sliding gates



2064L

Wheel \varnothing 120 mm V groove, with inner support. For sliding gates



2065L

Wheel \varnothing 160 mm V groove with ball bearing and fixing bolt.
For sliding gates



2066L

Wheel \varnothing 200 mm V groove with ball bearing and fixing bolt.
For sliding gates



2068L

Roller \varnothing 25x32 mm.
For sliding gates



2069L

Roller \varnothing 40x44 mm.
For sliding gates



2127L

Warning plate



7089L

Latch with sliding stop bolt.
For swinging gates



7098L

V96 vertical electric lock, with rotating bolt and European cylinder, 12 Vac power supply.
For swinging gates



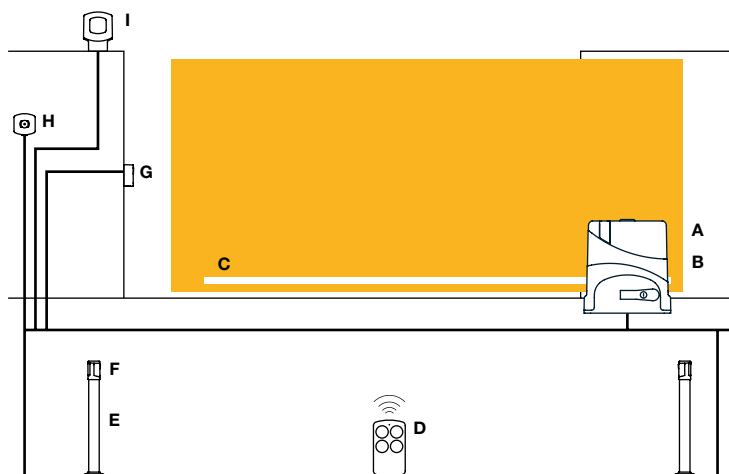
7099L

V90 horizontal electric lock, with rotating bolt and round cylinder, 12 Vac power supply.
For swinging gates

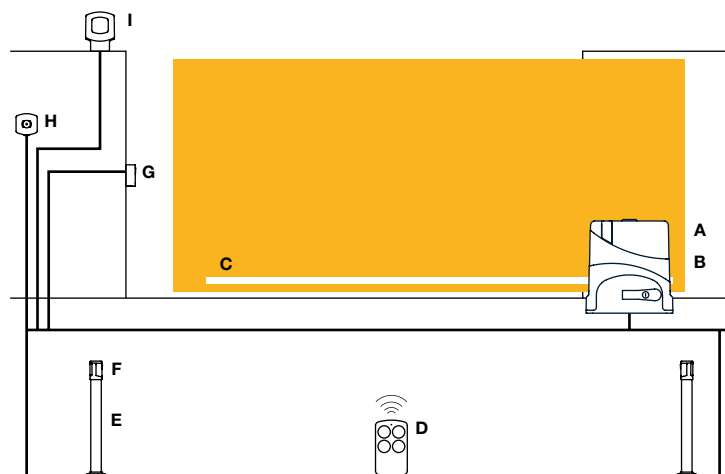




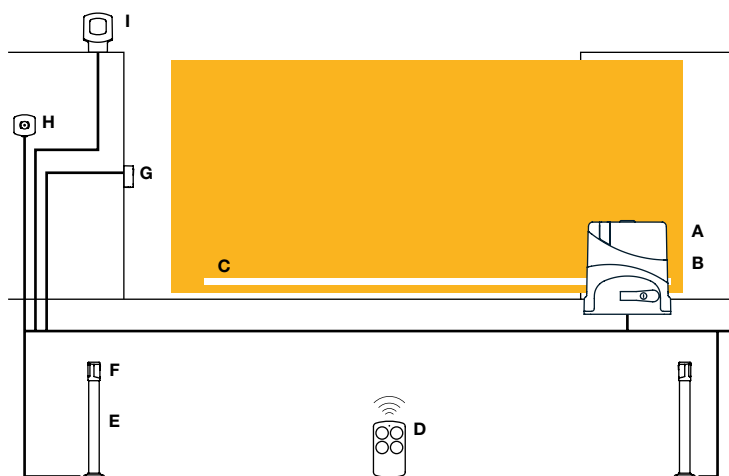
FOR SLIDING GATES



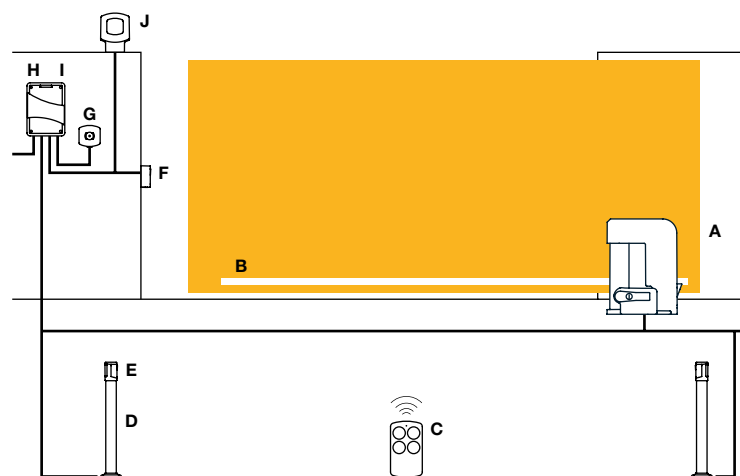
A - 1x 624L, B - 1x 5311L, C - 1x 2118L, D - 1x 5313GL, E - 1x 153L, F - 1x 141L,
G - 1x 140L, H - 1x 142L, I - 1x 152L



A - 1x 633L, B - 1x 5311L, C - 1x 2118L, D - 1x 5313GL, E - 1x 153L, F - 1x 141L,
G - 1x 140L, H - 1x 142L, I - 1x 152L

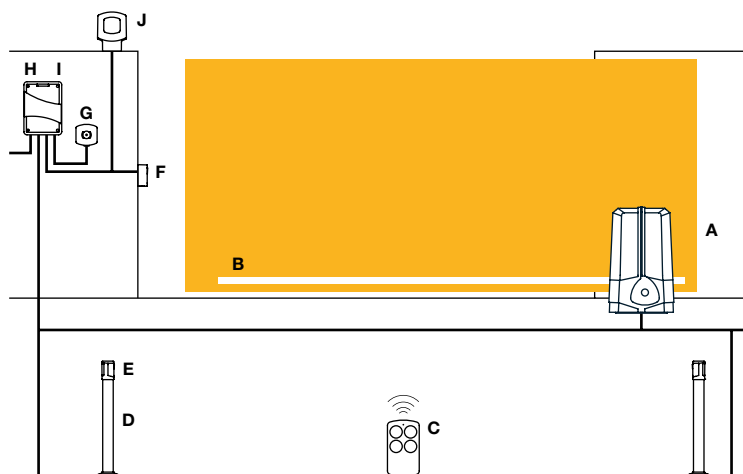


A - 1x 650L, B - 1x 5311L, C - 1x 2118L, D - 1x 5313GL, E - 1x 153L, F - 1x 141L,
G - 1x 140L, H - 1x 142L, I - 1x 152L

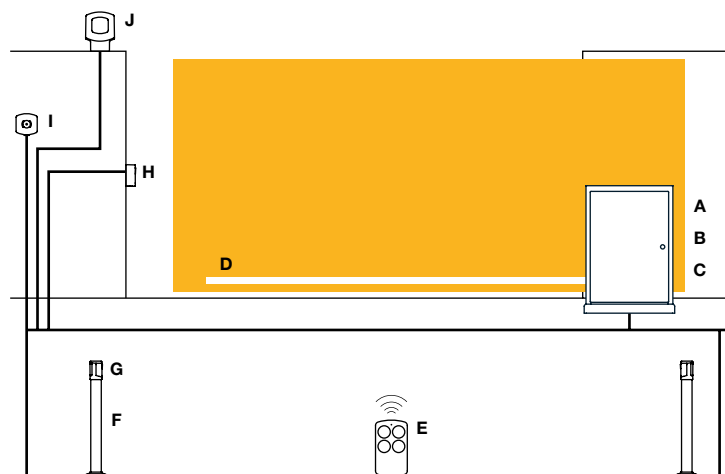


A - 1x 1117L, B - 1x 2118L, C - 1x 5313GL, D - 1x 153L, E - 1x 141L, F - 1x 140L,
G - 1x 142L, H - 1x 7087L, I - 1x 1x 5311L, J - 1x 152L

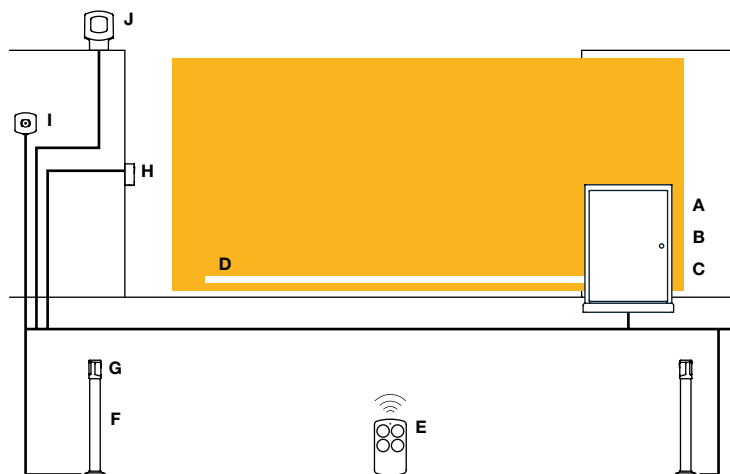
FOR SLIDING GATES



A - 1x 212567L, B - 3x 2039L, C - 1x 5313GL, D - 1x 153L, E - 1x 141L, F - 1x 140L,
G - 1x 142L, H - 1x 7087L, I - 1x 5311L, J - 1x 152L

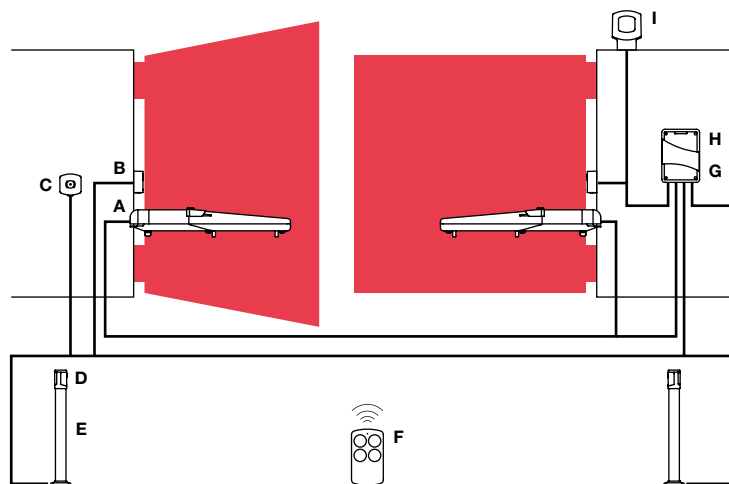


A - 1x 3002L, B - 1x 5311L, C - 1x 7185L, D - 10x 2039L, E - 1x 5313GL, F - 1x 155L,
G - 1x 141L, H - 1x 140L, I - 1x 142L, J - 1x 152L

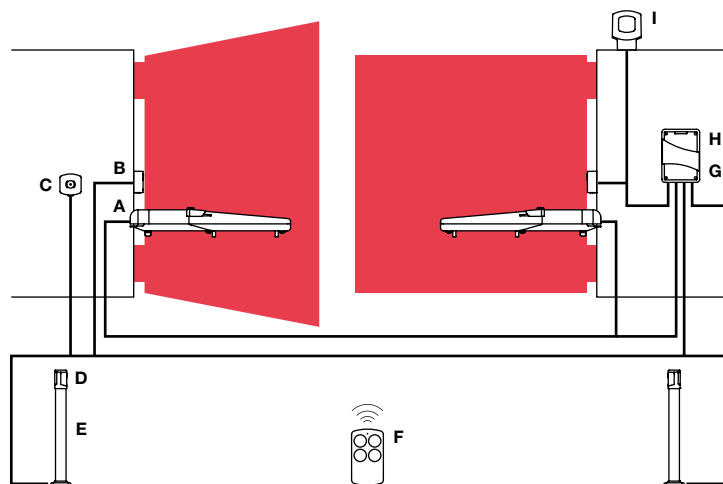


A - 1x 4002L, B - 1x 5311L, C - 1x 7185L, D - 10x 2039L, E - 1x 5313GL, F - 1x 155L,
G - 1x 141L, H - 1x 140L, I - 1x 142L, J - 1x 152L

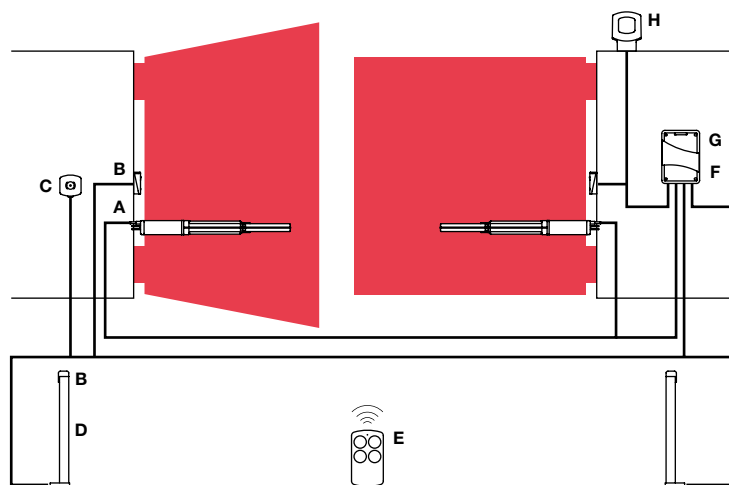
FOR SWINGING GATES



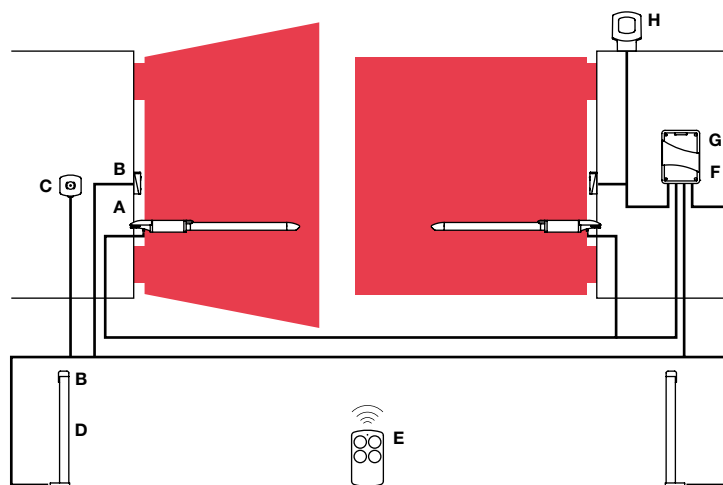
A - 2x 424L, **B** - 1x 140L, **C** - 1x 142L, **D** - 1x 141L, **E** - 1x 153L, **F** - 1x 5313GL,
G - 1x 4200L, **H** - 1x 5311L, **I** - 1x 152L



A - 2x 430L, **B** - 1x 140L, **C** - 1x 142L, **D** - 1x 141L, **E** - 1x 153L, **F** - 1x 5313GL,
G - 1x 4300L, **H** - 1x 5311L, **I** - 1x 152L

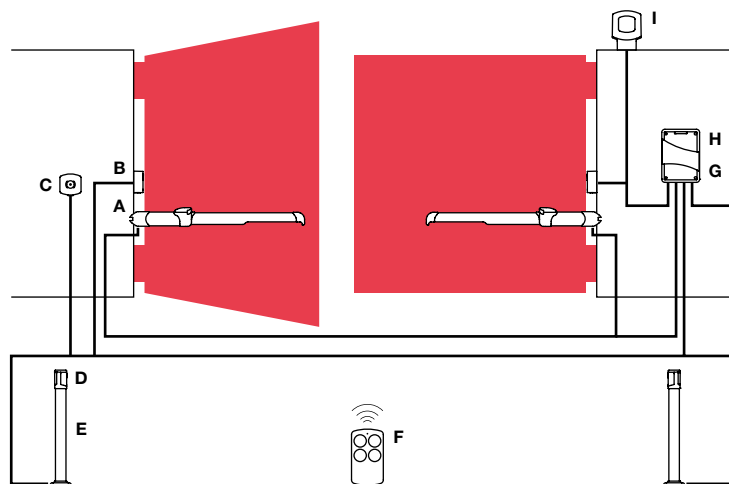


A - 2x 888L, **B** - 2x 107L, **C** - 1x 142L, **D** - 1x 108L, **E** - 1x 5313GL, **F** - 1x 7047L,
G - 1x 5311L, **H** - 1x 152L

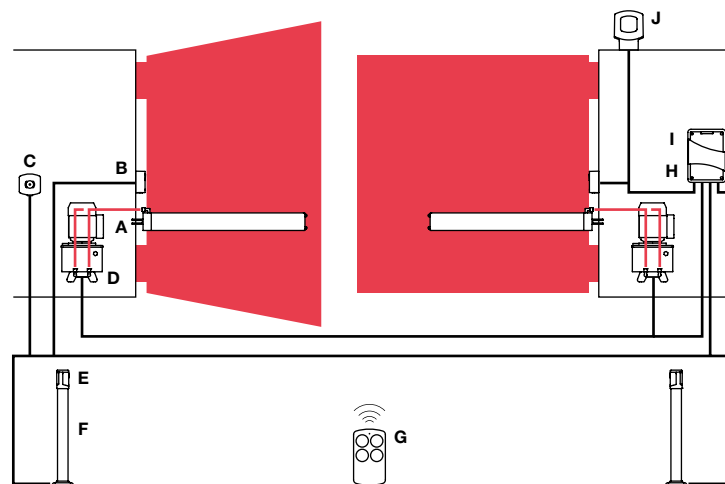


A - 2x 661L, **B** - 2x 107L, **C** - 1x 142L, **D** - 1x 108L, **E** - 1x 5313GL, **F** - 1x 6610L,
G - 1x 5311L, **H** - 1x 152L

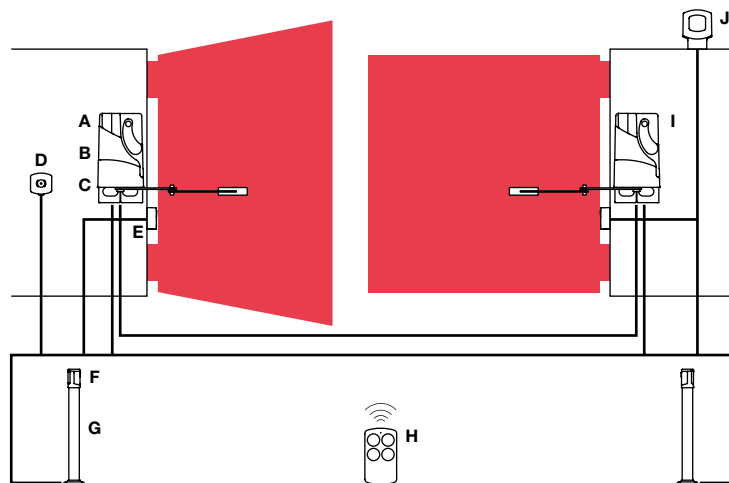
FOR SWINGING GATES



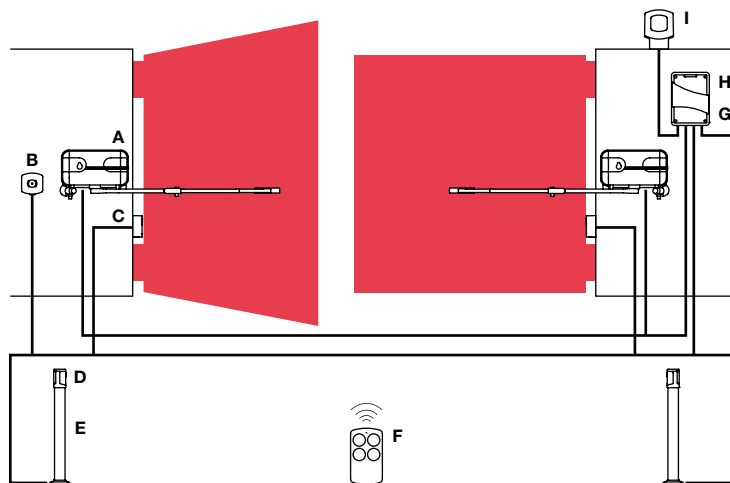
A - 2x 880P5L, B - 1x 140L, C - 1x 142L, D - 1x 141L, E - 1x 155L, F - 1x 5313GL, G - 1x 7047L, H - 1x 5311L, I - 1x 152L



A - 2x 7012L, B - 1x 140L, C - 1x 142L, D - 2x 7022P6L, E - 1x 141L, F - 1x 156L, G - 1x 5313GL, H - 1x 7047L, I - 1x 5311L, J - 1x 152L

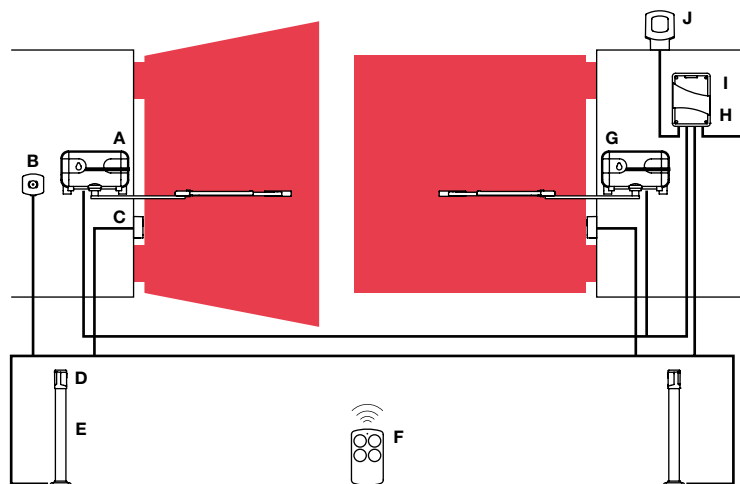


A - 1x 351L, B - 1x 5311L, C - 2x 358L, D - 1x 142L, E - 1x 140L, F - 1x 141L, G - 1x 153L, H - 1x 5313GL, I - 1x 352L, J - 1x 152L

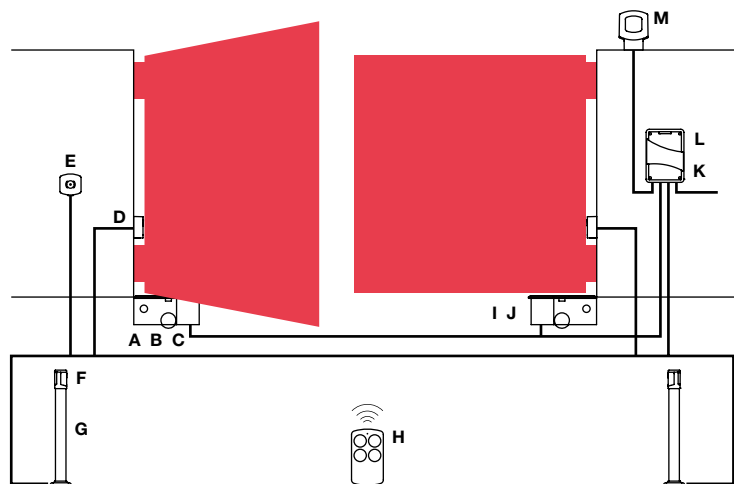


A - 2x 281L, B - 1x 142L, C - 1x 140L, D - 1x 141L, E - 1x 153L, F - 1x 5313GL, G - 1x 7047L, H - 1x 5311L, I - 1x 152L

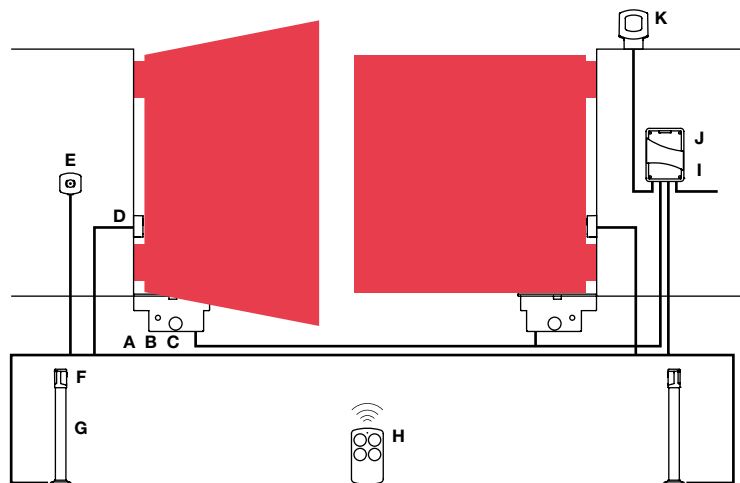
FOR SWINGING GATES



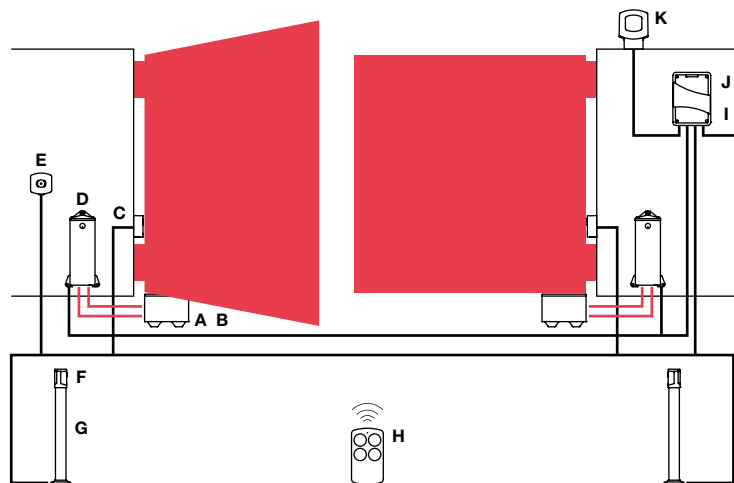
A - 1x 298SXL, **B** - 1x 142L, **C** - 1x 140L, **D** - 1x 141L, **E** - 1x 155L, **F** - 1x 5313GL,
G - 1x 298DXL, **H** - 1x 7047L, **I** - 1x 5311L, **J** - 1x 152L



A - 1x 7677BB3SXL, **B** - 2x 745L, **C** - 1x 748SXL, **D** - 1x 140L, **E** - 1x 142L, **F** - 1x 141L,
G - 1x 153L, **H** - 1x 5313GL, **I** - 1x 7677BB3DXL, **J** - 1x 748DXL, **K** - 1x 7047L,
L - 1x 5311L, **M** - 1x 152L

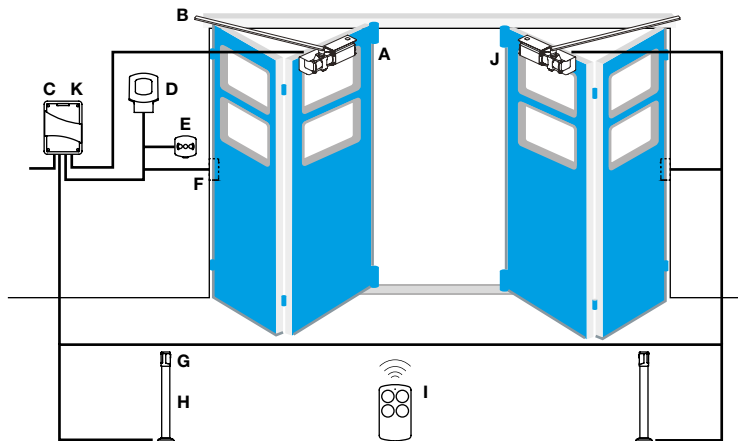


A - 2x 7877BB3L, **B** - 2x 7871L, **C** - 2x 7872L, **D** - 1x 140L, **E** - 1x 142L, **F** - 1x 141L,
G - 1x 155L, **H** - 1x 5313GL, **I** - 1x 7047L, **J** - 1x 5311L, **K** - 1x 152L

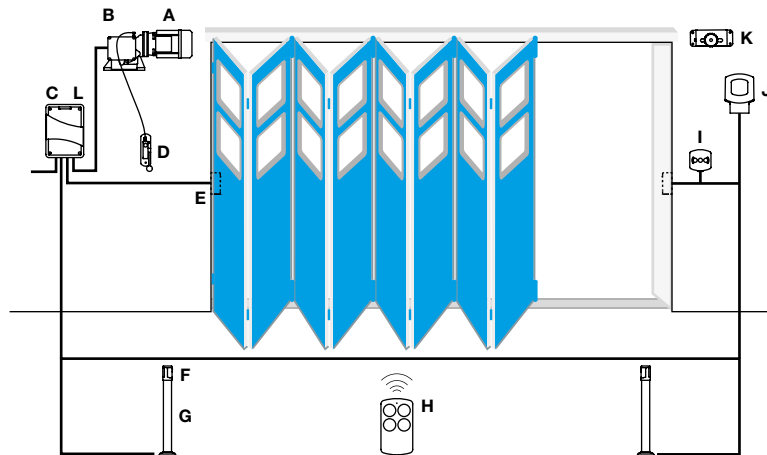


A - 2x 710L, **B** - 2x 7027L, **C** - 1x 140L, **D** - 2x 7021L, **E** - 1x 142L, **F** - 1x 141L,
G - 1x 155L, **H** - 1x 5313GL, **I** - 1x 7047L, **J** - 1x 5311L, **K** - 1x 152L

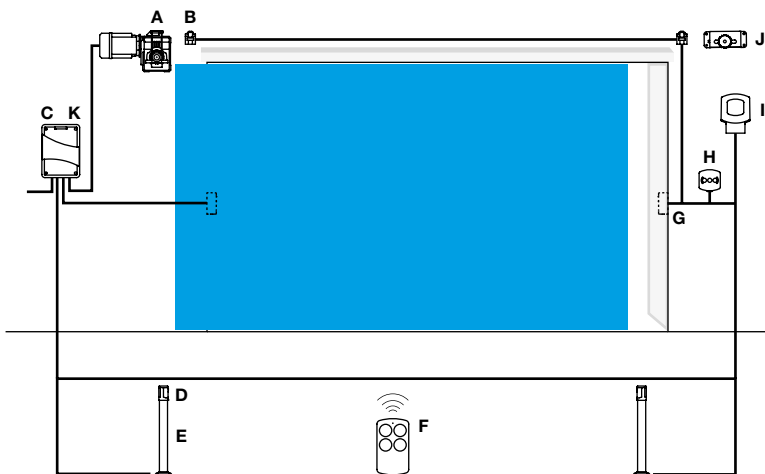
FOR GARAGE AND INDUSTRIAL DOORS



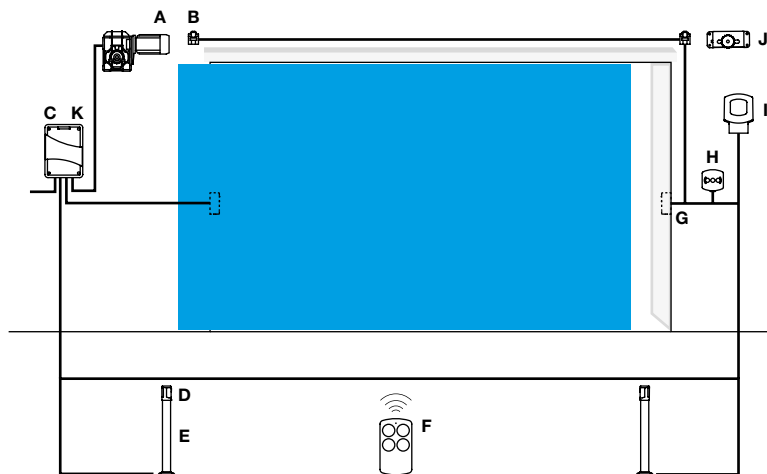
A - 1x 394DXL, **B** - 2x 396L, **C** - 1x 7047L, **D** - 1x 152L, **E** - 1x 150L, **F** - 1x 140L, **G** - 1x 141L, **H** - 1x 153L, **I** - 1x 5313GL, **J** - 1x 394SXL, **K** - 1x 5311L



A - 1x 2052L, **B** - 1x 2059L, **C** - 1x 7087L, **D** - 1x 2044L, **E** - 1x 140L, **F** - 1x 141L, **G** - 1x 153L, **H** - 1x 5313GL, **I** - 1x 150L, **J** - 1x 152L, **K** - 1x 2053L, **L** - 1x 5311L

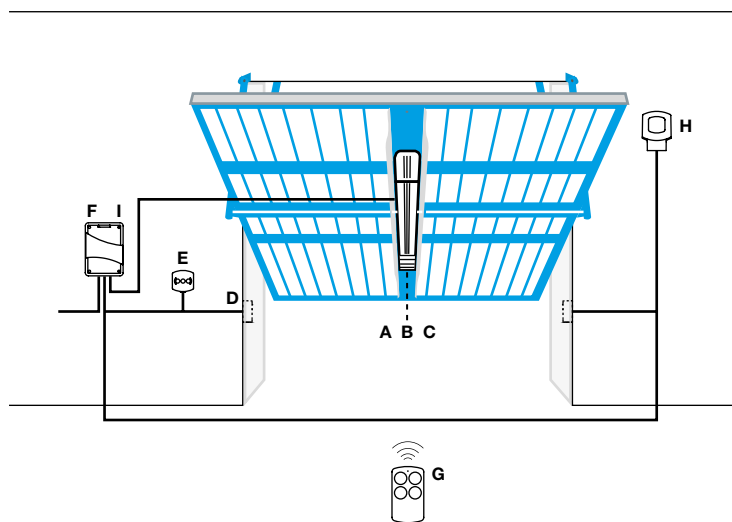


A - 1x 2220L, **B** - 1x 2057L, **C** - 1x 7185L, **D** - 1x 141L, **E** - 1x 153L, **F** - 1x 5313GL, **G** - 1x 140L, **H** - 1x 150L, **I** - 1x 152L, **J** - 1x 2053L, **K** - 1x 5311L



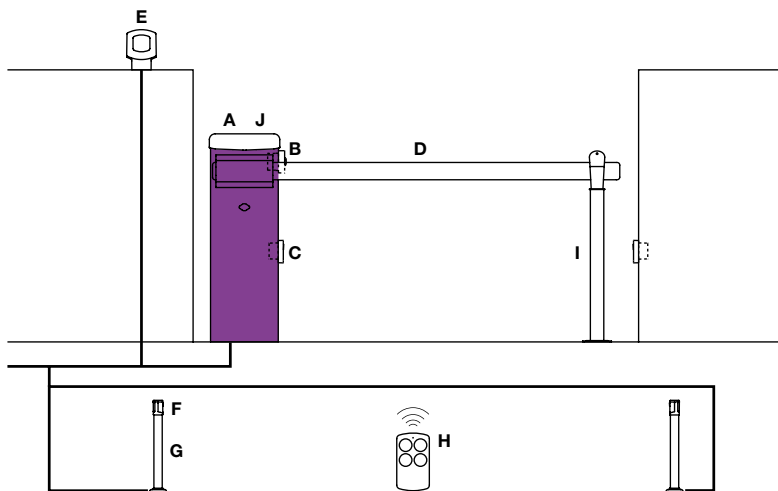
A - 1x 2223L, **B** - 1x 2057L, **C** - 1x 7185L, **D** - 1x 141L, **E** - 1x 155L, **F** - 1x 5313GL, **G** - 1x 140L, **H** - 1x 150L, **I** - 1x 152L, **J** - 1x 2053L, **K** - 1x 5311L

FOR GARAGE AND INDUSTRIAL DOORS

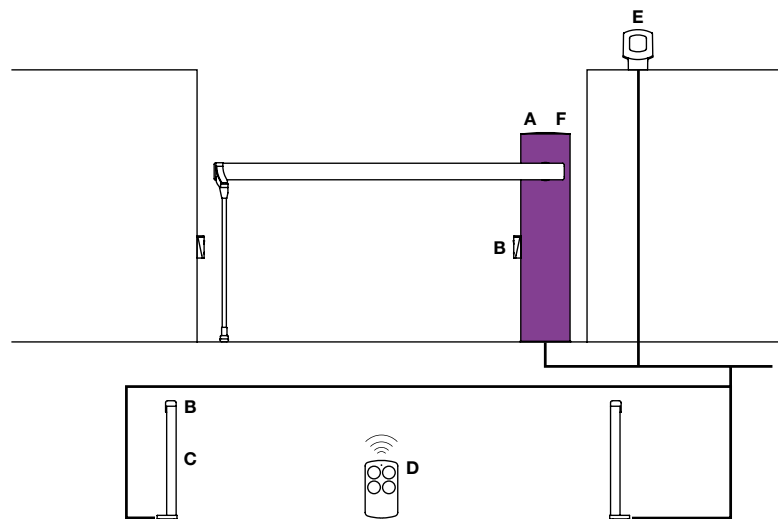


A - 1x 482L, **B** - 1x 483L, **C** - 1x 510L, **D** - 1x 140L, **E** - 1x 150L, **F** - 1x 243L,
G - 1x 5313GL, **H** - 1x 152L, **I** - 1x 5311L

FOR AUTOMATIC BARRIERS



A - 1x 9803SXL, **B** - 1x 143L, **C** - 1x 141L, **D** - 1x 1942L, **E** - 1x 152L, **F** - 1x 141L,
G - 1x 153L, **H** - 1x 5313GL, **I** - 1x 9758L, **J** - 1x 5311L



A - 1x 1088DXL, **B** - 2x 107L, **C** - 1x 108L, **D** - 1x 5313GL, **E** - 1x 152L, **F** - 1x 5311L

PROGRESSIVE INDEX OF CODES

CODE	PAGE	CODE	PAGE	CODE	PAGE
60L	87	204L	31	395L	75
107L	106	206L	33	396L	75
108L	106	207L	31	424L	41
109L	106	208L	31	430L	43
140L	110	211L	33	465K0VL	160
141L	110	212L	33	482L	81
142L	111	213L	33	483L	81
143L	111	215L	33	484L	81
144L	111	243L	140	486L	81
145L	111	244L	81	510L	81
146L	112	281L	59	511L	81
147L	112	282L	59	512L	81
148L	113	283L	59	513L	81
149L	113	285L	59	570L	108
150L	114	286L	59	612L	112
151L	114	287L	59	620L	130
152L	116	298DXL	61	624L	25
153L	115	298SXL	61	624K0VL	152
154L	115	299DXL	61	625K0VL	152
155L	115	299SXL	61	630L	130
156L	115	330L	107	632L	25
157L	115	331L	107	633L	27
160L	110	351L	57	633K0VL	153
161L	110	352L	57	634K0VL	153
162L	110	358L	57	650L	29
163L	111	359L	57	650K0VL	154
196L	33	360L	57	651K0VL	154
197L	33	378L	111	661L	47
198L	33	394DXL	75	671L	25
199L	33	394SXL	75	692L	113

CODE	PAGE
693L	113
694L	113
695L	113
696L	113
697L	113
701L	69
702L	69
705L	55
706L	25
707L	55
708L	45
710L	69
711L	69
712L	69
713L	69
745L	65
746DXL	65
746SXL	65
747L	65
748DXL	65
748SXL	65
761L	65
762L	65
767N3DXL	63
767N3SXL	63
769N3DXL	64
769N3SXL	64
787N3L	67
870P5L	49
880P3L	49

CODE	PAGE
880P5L	49
884P3L	49
887L	45
888L	45
889L	45
890P3L	49
890P5L	49
1088DXL	87
1088SXL	87
1089DXL	87
1089SXL	87
1093L	87
1094L	87
1095L	87
1096L	87
1097L	87
1098L	87
1099L	87
1113L	31
1114L	31
1116L	31
1117L	31
1121L	31
1122L	31
1269L	31
1271L	31
1913L	100
1933L	100
1936L	97
1937L	97

CODE	PAGE
1940L	97
1941L	97
1942L	97
1943L	97
1944L	97
1945L	100
1948L	100
1952L	98
1953L	98
1954L	98
1955L	98
1956L	98
1958L	98
1962L	98
1964L	33
1965L	98
1967L	98
1968L	98
1969L	98
1970L	98
1994L	33
2028L	117
2032L	99
2034L	117
2035L	117
2036L	77
2037L	99
2039L	31
2044L	77
2046L	77

CODE	PAGE
2049L	77
2050L	77
2051L	77
2052L	77
2053L	77
2054L	77
2055L	77
2056L	77
2057L	77
2058L	77
2059L	77
2061L	162
2064L	162
2065L	162
2066L	162
2068L	162
2069L	162
2076L	118
2077L	118
2079L	118
2097L	33
2098L	33
2114L	33
2118L	25
2127L	162
2154L	33
2220L	79
2223L	79
2431L	141
2569L	99

CODE	PAGE
2729L	143
2731L	143
2732L	143
2746L	143
3002L	35
3200L	119
3201L	119
3202L	119
3203L	119
3204L	119
3206L	119
3210L	119
3212L	119
3218L	119
3219L	119
3221L	119
3518L	135
3519L	135
3520K0VL	159
3521K0VL	159
4002L	35
4060L	123
4200L	136
4202L	136
4240K0VL	155
4241K0VL	155
4300L	137
4301K0VL	156
4302K0VL	156
4317L	121

CODE	PAGE
4327L	123
4329L	123
4330L	123
4332L	123
4605L	121
4607L	121
5023L	100
5310L	121
5311L	121
5313CL	121
5313GL	121
5313SL	121
5313YL	121
5314L	121
5315L	121
5316L	121
5801L	109
5802L	109
6610L	137
6660K0VL	158
6661K0VL	158
7012L	53
7013L	55
7014P6L	53
7014P12L	53
7016L	55
7018L	55
7019L	55
7021L	69
7022P6L	53

CODE	PAGE
7022P12L	53
7025L	55
7027L	69
7029L	69
7032L	69
7033L	65
7037L	53
7038L	55
7042L	139
7047L	138
7048L	138
7060L	132
7062L	143
7063L	131
7064L	131
7069L	31
7087L	132
7089L	162
7098L	162
7099L	162
7113CL	123
7113GL	123
7113SL	123
7113YL	123
7114L	53
7115L	53
7116L	53
7117L	53
7118L	53
7119L	53

CODE	PAGE
7154L	33
7155L	33
7180L	133
7183L	139
7184L	133
7185L	134
7230L	143
7231L	31
7271L	142
7282L	143
7283L	99
7677BB3DXL	63
7677BB3SXL	63
7678N3DXL	63
7678N3SXL	63
7679N3DXL	63
7679N3SXL	63
7697BB3DXL	64
7697BB3SXL	64
7698N3DXL	64
7698N3SXL	64
7699N3DXL	64
7699N3SXL	64
7809L	121
7871L	67
7872L	67
7873L	67
7877BB3L	67
7878N3L	67
7879N3L	67

CODE	PAGE
8310L	50
8311L	50
8312L	50
8619L	121
8820K0VL	157
8821K0VL	157
9321L	99
9730L	55
9752L	100
9755L	101
9756L	101
9757L	101
9758L	101
9759L	101
9767L	97
9801DXL	94
9801SXL	94
9802DXL	94
9802SXL	94
9803DXL	94
9803SXL	94
9804DXL	94
9804SXL	94
9805DXL	94
9805SXL	94
9811DXL	95
9811SXL	95
9812DXL	95
9812SXL	95
9813DXL	95

CODE	PAGE
9813SXL	95
9814DXL	95
9814SXL	95
9815DXL	95
9815SXL	95
9827L	99
9828L	99
9829L	99
9840L	100
9841DXL	96
9841SXL	96
9843DXL	96
9843SXL	96
9860L	101
9861L	97
9862L	97
9863L	97
9864L	97
9865L	97
9866L	97
9867L	97
9869L	101
9873L	100
9879DXL	101
9879SXL	101
9888L	100
9892DXL	96
9892SXL	96
9895DXL	96
9895SXL	96

CODE	PAGE
9897L	100
9899L	141
19767L	33
19867L	33
20514L	77
21267L	33
21367L	33
76778BB3DXL	63
76778BB3SXL	63
76779BB3DXL	63
76779BB3SXL	63
76789N3DXL	63
76789N3SXL	63
76978BB3DXL	64
76978BB3SXL	64
76979BB3DXL	64
76979BB3SXL	64
76989N3DXL	64
76989N3SXL	64
78778BB3L	67
78779BB3L	67
78789N3L	67
87084P5L	49
88084P3L	49
88084P5L	49
88484P3L	49
89084P3L	49
89084P5L	49
197567L	33
205148L	77

CODE	PAGE
205180L	77
205267L	77
205867L	77
212567L	33
701284L	53
701486P6L	53
701486P12L	53
702286P6L	53
702286P12L	53
703784L	53
711484L	53
711584L	53
711684L	53
711784L	53
711884L	53
711984L	53
767789BB3DXL	63
767789BB3SXL	63
769789BB3DXL	64
769789BB3SXL	64
787789BB3L	67
2052567L	77

NOTES INDEX

[A]: The gate structure, size and possible strong winds may affect the values as indicated. Always make sure the gate is adequate to be automatically operated and remove any possible friction points.

[B]: It is possible to open or close the gate by hand in case of power failure; no need that release handle or release spanner be operated.

[C]: Inside the housing cover or casing.

[D]: Opening and closing times depend on the fixing distances, speed adjustment and gate inertia.

[E]: Without the mechanical stops it is possible to extend travel by 60 mm, but it is required that gate stops be fitted on to the ground both in open and closed gate positions.

[F]: -40 °C with specific optional accessories, see page 16.

[G]: The value indicated is an average time, it can change depending on external factors.

[H]: Oil-hydraulic actuator fitted with EVO valve assembly without chance of hydraulic locking configuration: the actuator is always reversible, non locking.

[I]: TR is the slowdown time, a value changing according to the adjustment made on the actuator.

[J]: For gate leaves wider than 5 m it is recommended that the gate structure be carefully assessed: gate post and rotation hinges must be adequate to support the gate weight and inertia during the complete cycles of opening and closing.

[K]: The installation distances for the special strokes are meant to make the most of the slowdown on opening and closing. For these actuators contact our technical office in advance and provide the structural dimensions of the gate to be automated.

[L]: The measurement can change according to the version.

[M]: For beams fitted with led lights, AL.FLEX 34 control is to be used, code no. 9840L.

[N]: Distance decreases by 30-50% approx. in case of fog, rain or dusts.

[O]: The transmission and receiving distance can be affected by external factors (eg. devices such as alarms, signal repeaters, etc.) using the same frequency. Meccanica Fadini cannot guarantee the actual distance range of one's own accessories in such cases.

A series of horizontal dotted lines for writing, consisting of 25 lines spaced evenly down the page.

FADINI[®] is also:

retractable oil-hydraulic
AUTOMATIC BOLLARDS



SEMIAUTOMATIC BOLLARDS



REMOVABLE BOLLARDS



FIXED BOLLARDS



Concept
Halfduck

Photos and Graphics
Bronwenir

Technical Design
Little Togno

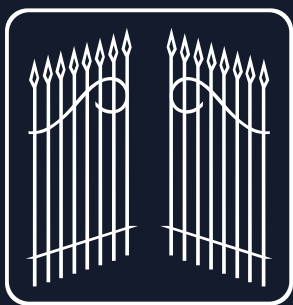
Auditor
Mediator

The catalogue includes texts and technical data updated to the date of publication. The data contained in this catalogue replace in full all the technical or commercial documents existing before this issue.

To achieve an installation in compliance with the applicable norms, it is recommended that the indicated code numbers be properly referred to and that original accessories by Meccanica Fadini be used. It is also advisable that the technical literature of the required products be consulted for a correct installation.

The images in this catalogue are merely indicative. All the data have been accurately verified and controlled. Meccanica Fadini reserves the right to change the products and this catalogue any time and in any way as necessary without previous notice. No responsibility is taken over for possible errors and/or omissions.





FADINI®
l'apricancello



MECCANICA FADINI s.n.c.
Via Mantova 177/A
37053 Cerea VR Italy
Ph. +39 0442 330422
Fax +39 0442 331054
info@fadini.net
www.fadini.net

