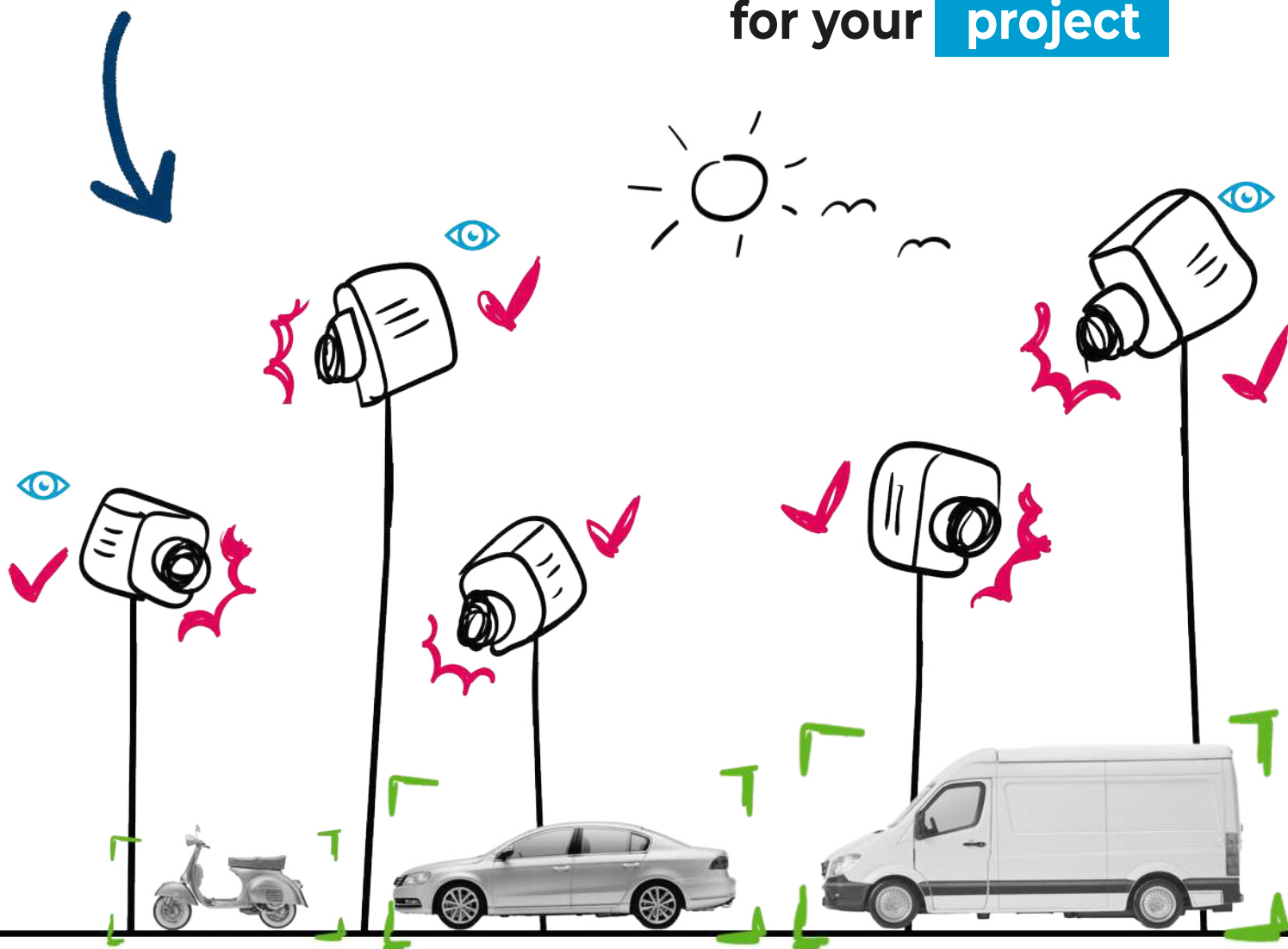


LPR CAMERAS



Choose the best **LPR camera**

for your **project**





**Embedded (AiO)
or Server-based**



**IR illumination
or White Light**



**Software LPR
OCR5 Lite/Pro/Pro+**

AiO or PC?

AiO (All-in-One)

- Network independent
- Independent lane
- Redundant (AiO and PC)

PC (PC - Server - VM)

- Processing speed
- Centralized software
- Cloud processing

IR or HYBRID?

IR (Infrared Light)

- B/W Image
- Reflective license plates
- Europe, Latam and Asia

Hybrid (White light & IR)

- Color or B/W Image
- NON-reflective license plates
- Badly damaged license plates
- USA, Australia, Brazil
Saudi Arabia, UAE
- Vehicle type (OCR5+)

LITE/PRO/PRO+?

LITE

- Price
- One camera per lane
- Front capture
- B/W Image

PRO

- Max. 2 cameras per lane
- Car & motorcycle lane
- Ticketless car lane

PRO+

- + 2 cameras per lane
- Ticketless cars & motorcycles
- Barrierless cars & motorcycles
- Motorcycle or car type
- Free Flow

LPR CAMERA MODELS

| | | | Location | Capture | Maximum distance | Lane width |
|--|-------------------|--------------|--------------------------|--------------------------|-------------------------------|---------------------------------|
| | COMPACT | IR HYBRID | Ground | Front | 8 m / 26 ft 5 m / 16 ft* | 5 m / 16 ft 4 m / 13 ft* |
| | BULLET | IR HYBRID | Wall, Ceiling or Pole | Front and Rear | 8 m / 26 ft | 5 m / 16 ft |
| | DOME | IR HYBRID | Barrier, Wall or Ceiling | Front and Rear | 6 m / 20 ft | 4 m / 13 ft |
| | BULLET XXL | IR HYBRID | Wall, Ceiling or Pole | Front and Rear | 15 m / 50 ft 10 m / 33 ft* | 5,5 m / 18 ft 4,5 m / 15 ft* |
| | TOTEM | IR HYBRID | Ground | Front and Rear Trucks | 8 m / 26 ft 5 m / 16 ft* | 5 m / 16 ft 4 m / 13 ft* |

[*] Maximum distance in case of only having the illumination of the hybrid led projector or the white led spotlight.
The maximum distance for the Hybrid models, in case of having ambient lighting of 50 lux in the license plate, is the same as in the IR models.

TYPE OF FACILITY

| | | Parking | Corporate Residential | Shoppings | Airports Ports | Border posts | Industrial access | Urban traffic |
|--|-------------------|---------|--------------------------|-----------|-------------------|-----------------|----------------------|------------------|
| | COMPACT | | | | | | | |
| | BULLET | | | | | | | |
| | DOME | | | | | | | |
| | BULLET XXL | | | | | | | |
| | TOTEM | | | | | | | |

LPR CAMERA COMPACT

The best-selling LPR

High Accuracy
+99%



Front and rear capture

Ground

Max. distance
8 m / 26 ft.



Parking



Corporate Residential



Shopping Mall



Airports Ports



Border Posts



Industrial Access

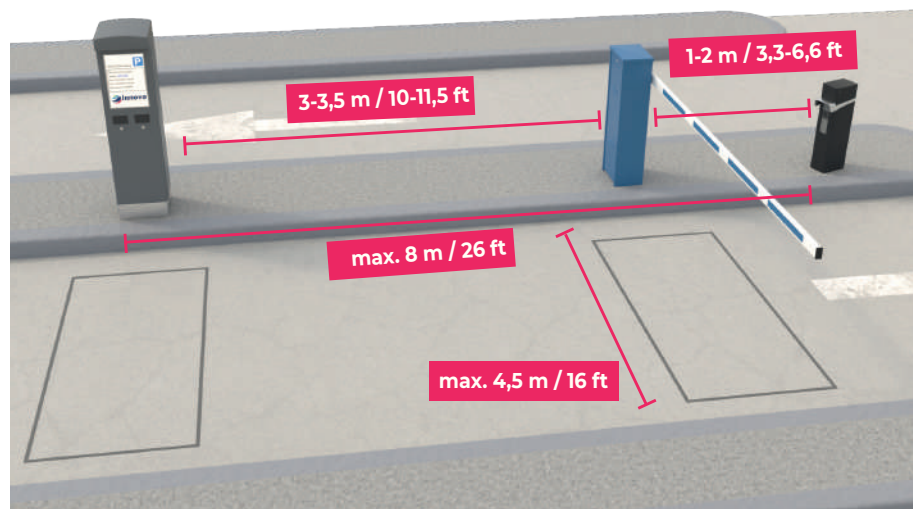
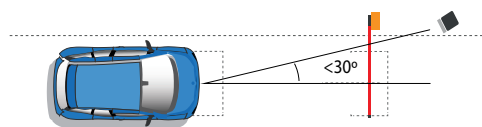


Urban Traffic

RECOMMENDED POSITIONING

The positioning of the capture unit with regard to the ground must always meet the following requirements:

- The smallest possible horizontal and vertical inclination with respect to the center of the license plate. The maximum recommended inclination is 30°.
- When the vehicle is captured it must be properly in the lane. It is always necessary to seek the most perpendicular position for the camera in terms of the number plate.
- If the capture is performed using a software or hardware trigger, it is necessary to take into account the concealment produced when vehicles travel in convoy.
- It is necessary to avoid concealments caused by the barrier, since the barrier can obscure the camera's view of the number plate when in movement.



| | Location | Capture | Maximum distance | Lane width |
|-----------|----------|---------|-----------------------------|-----------------------------|
| IR HYBRID | Ground | Front | 8 m / 26 ft 5 m / 16 ft* | 5 m / 16 ft 4 m / 13 ft* |

COMPACT HOUSING

| | |
|---------------------|---|
| Material | Stainless steel 304 of 1.2 mm treatment of removing for phosphate and painted with powder |
| Internal dimensions | 150x220 mm (WxD); Height 700 mm |
| Temperature range | -20°C / +50°C |
| Window | 65x232 mm (WxD) |
| Weight | 10 kg. |
| Accessories | Electric board to install components inside |
| Color | Black RAL 9005 Textured |

CAMERA IP

| | LITE | PRO | PRO+ |
|--------------------|--|--|---|
| Camera model | Axis P3245V | Axis P3245V | Axis P3265V |
| Processor | Artpec7 32 bits | Artpec7 32 bits | Artpec8 64 bits |
| RAM | 1 GB | 1 GB | 1 GB |
| Image sensor | 1/2.8" RGB CMOS | 1/2.8" RGB CMOS | 1/2.8" RGB CMOS |
| Maximum resolution | 1080 HDTV (1920x1080) | 1080 HDTV (1920x1080) | 1080 HDTV (1920x1080) |
| Lens | Varifocal, 3,4-8,9 mm, F1.8 | Varifocal, 3,4-8,9 mm, F1.8 | Varifocal, 3,4-8,9 mm, F1.8 |
| Video compression | H.264 / H.265 / MJPEG | H.264 / H.265 / MJPEG | H.264 / H.265 / MJPEG |
| Power supply | Power over Ethernet (PoE) 802.3af/802.3at Type1 Class3 Typical 3.5 W, max. 5.7 W | Power over Ethernet (PoE) 802.3af/802.3at Type1 Class3 Typical 3.5 W, max. 5.7 W | Power over Ethernet (PoE) IEEE 802.3af/802.3at Type1 Class3 Typical 3 W, max. 5.1 W |
| AXIS warranty | 5 years | 5 years | 5 years |

IR/HYBRID ILLUMINATOR

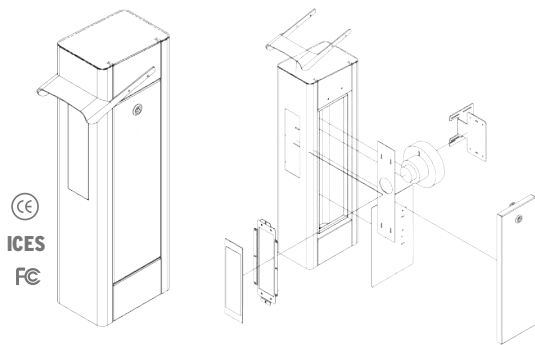


| | IR (infrared) | HYBRID (white light + infrared) |
|----------------|--|---|
| Operation | IR illuminator with SMD technology for B/W cameras - IR sensitive | Hybrid illuminator with SMD IR leds to work in B/W and SMD White light leds to work in color |
| Number of LEDs | 12 High Power IR LEDs | 9 High Power IR Leds / 3 High Power White Light Leds |
| Wavelength | 850 nm | |
| Power supply | 10,5 Vdc - 15 Vdc I _{max} 1500mA | 10,5 Vdc - 15 Vdc I _{max} 1500mA |

SPLITTER PoE

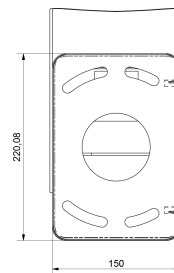
| | |
|--------------|--|
| Operation | Distributes data to the camera and power supply to the LED board |
| Outputs | 12 Vdc and PoE |
| Power supply | PoE+ - 802.at Type 2 30W |

DIAGRAMS



ANCHORING TYPE

This model is designed to be installed on the ground, recommended for flat access points or ones that are not very steep.



ALL-IN-ONE CAMERAS

| REF. | CAMERA MODEL |
|----------|-------------------------|
| 10 01 01 | Compact IR AIO LITE |
| 10 02 01 | Compact IR AIO PRO |
| 10 03 01 | Compact IR AIO PRO+ |
| 11 02 01 | Compact HYBRID AIO PRO |
| 11 03 01 | Compact HYBRID AIO PRO+ |

PC-BASED CAMERAS

| REF. | CAMERA MODEL |
|----------|------------------------|
| 13 01 01 | Compact IR PC LITE |
| 13 02 01 | Compact IR PC PRO |
| 13 03 01 | Compact IR PC PRO+ |
| 14 02 01 | Compact HYBRID PC PRO |
| 14 03 01 | Compact HYBRID PC PRO+ |

LPR CAMERA BULLET

The most versatile LPR

High Accuracy
+99%



Front and rear capture

Wall, ceiling or pole

Max. distance 8 m / 26 ft.



Parking



Corporate Residential



Shopping Mall



Airports Ports



Border Posts



Industrial Access



Urban Traffic

The positioning of the capture unit on the ceiling or wall must always meet the following requirements:

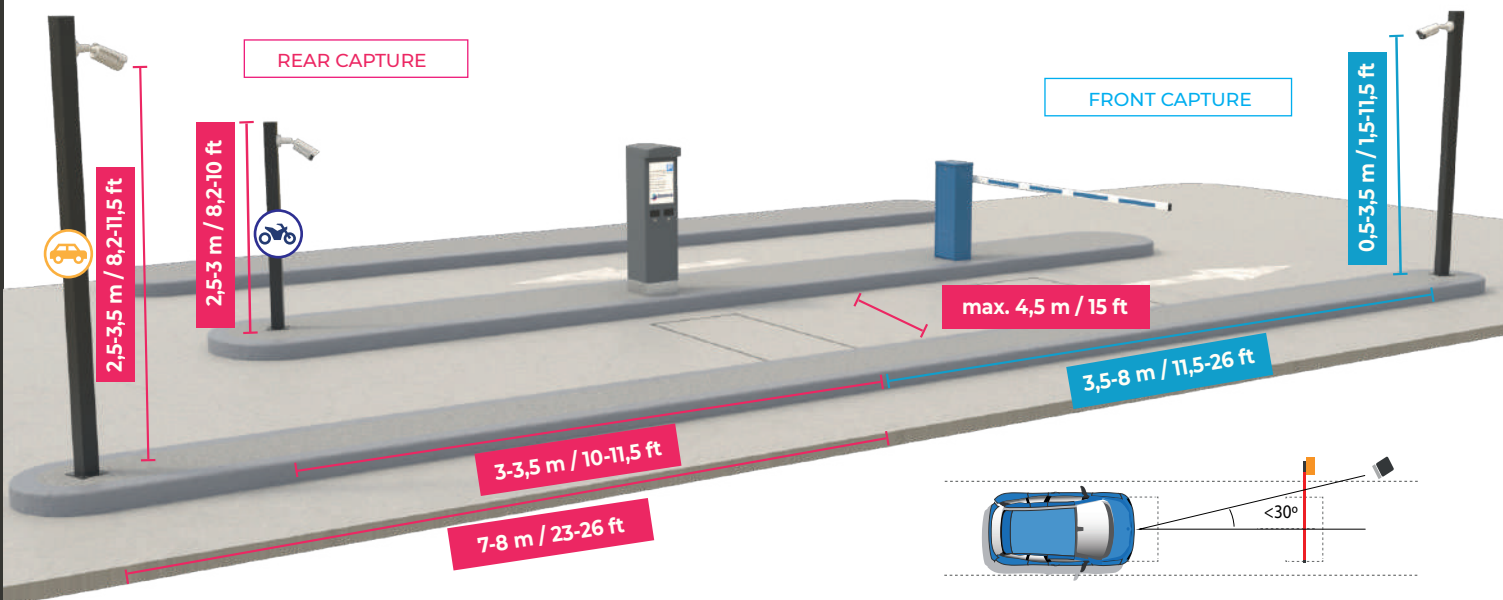
- The smallest possible horizontal and vertical inclination with respect to the center of the license plate. The maximum recommended inclination is 30°.

- When the vehicle is captured it must be properly in the lane. It is always necessary to seek the most perpendicular position for the camera in terms of the number plate.

- If the capture is performed using a software or hardware trigger, it is necessary to take into account the concealment produced when vehicles travel in convoy.

- It is necessary to avoid concealments caused by the barrier, since the barrier can obscure the camera's view of the number plate when in movement.

RECOMMENDED POSITIONING



| | Location | Capture | Maximum distance | Lane width |
|-----------|-----------------------|----------------|------------------|-------------|
| IR HYBRID | Wall, Ceiling or Pole | Front and Rear | 8 m / 26 ft | 5 m / 16 ft |

IP CAMERA

| | LITE | PRO | PRO+ |
|--------------------|--|--|---|
| Camera model | Axis P1455LE | Axis P1455LE | Axis P1465LE |
| Processor | Artpec7 32 bits | Artpec7 32 bits | Artpec8 32 bits |
| RAM | 1 GB | 1 GB | 1 GB |
| Image sensor | 1/2.8" RGB CMOS | 1/2.8" RGB CMOS | 1/2.8" RGB CMOS |
| Maximum resolution | 1080 HDTV (1920x1080) | 1080 HDTV (1920x1080) | 1080 HDTV (1920x1080) |
| Lens | Varifocal, 3-9 mm, F1.6 | Varifocal, 3-9 mm, F1.6 | Varifocal, 3-9 mm, F1.6 |
| Video compression | H.264 / H.265 / MJPEG | H.264 / H.265 / MJPEG | H.264 / H.265 / MJPEG |
| Power supply | Power over Ethernet (PoE) 802.3af/802.3at Type1 Class3 Typical 7.7 W, máx. 12.95 W | Power over Ethernet (PoE) 802.3af/802.3at Type1 Class3 Typical 7.7 W, máx. 12.95 W | Power over Ethernet (PoE) IEEE 802.3af/802.3at Type1 Class3 Typical 7.7 W, máx. 12.95 W |
| AXIS warranty | 5 years | 5 years | 5 years |

IR/HYBRID ILLUMINATOR

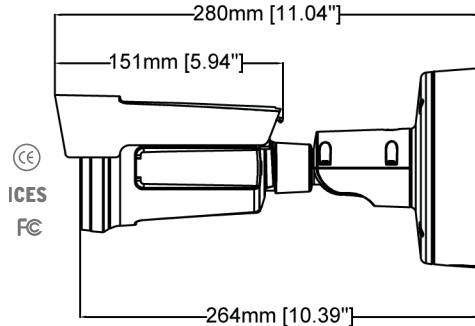


| | IR (infrared) | HYBRID (white light + infrared) |
|----------------|---|---|
| Operation | IR illuminator with SMD technology for B/W cameras - IR sensitive | White light SMD LED illuminator for work in color |
| Number of LEDS | 2 High Power IR LEDS integrated in the camera | External focus of 6 LEDS High Power White Light |
| Wavelength | 850 nm | White Light |
| Power supply | - | 12 Vdc - 15W max. |

PoE SPLITTER (optional)

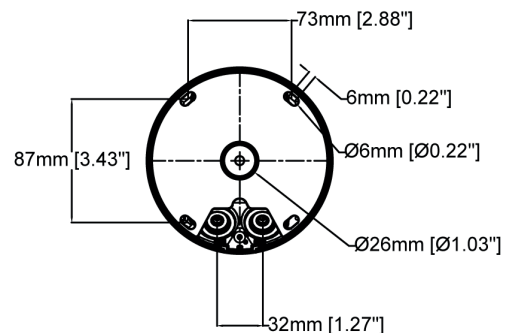
| | |
|--------------|--|
| Operation | Distributes data to the camera and power supply to the LED board |
| Outputs | 12 Vdc & PoE |
| Power supply | PoE+ - 802.at Type 2 30W |

DIAGRAMS



ANCHORING TYPE

This model is designed to be installed on a wall, ceiling or pole.



ALL-IN-ONE CAMERAS

| REF. | CAMERA MODEL |
|----------|------------------------|
| 10 01 02 | Bullet IR AIO LITE |
| 10 02 02 | Bullet IR AIO PRO |
| 10 03 02 | Bullet IR AIO PRO+ |
| 11 02 02 | Bullet HYBRID AIO PRO |
| 11 03 02 | Bullet HYBRID AIO PRO+ |

PC-BASED CAMERAS

| REF. | CAMERA MODEL |
|----------|-----------------------|
| 13 01 02 | Bullet IR PC LITE |
| 13 02 02 | Bullet IR PC PRO |
| 13 03 02 | Bullet IR PC PRO+ |
| 14 02 02 | Bullet HYBRID PC PRO |
| 14 03 02 | Bullet HYBRID PC PRO+ |

LPR CAMERA DOME

The vandal proof LPR

High Accuracy
+99%



Front and rear capture

Wall, ceiling or barrier

Max. distance
6 m / 20 ft.



Parking



Corporate Residential



Shopping Mall



Airports Ports



Border Posts



Industrial Access



Urban Traffic

The positioning of the capture unit on the ceiling or wall must always meet the following requirements:

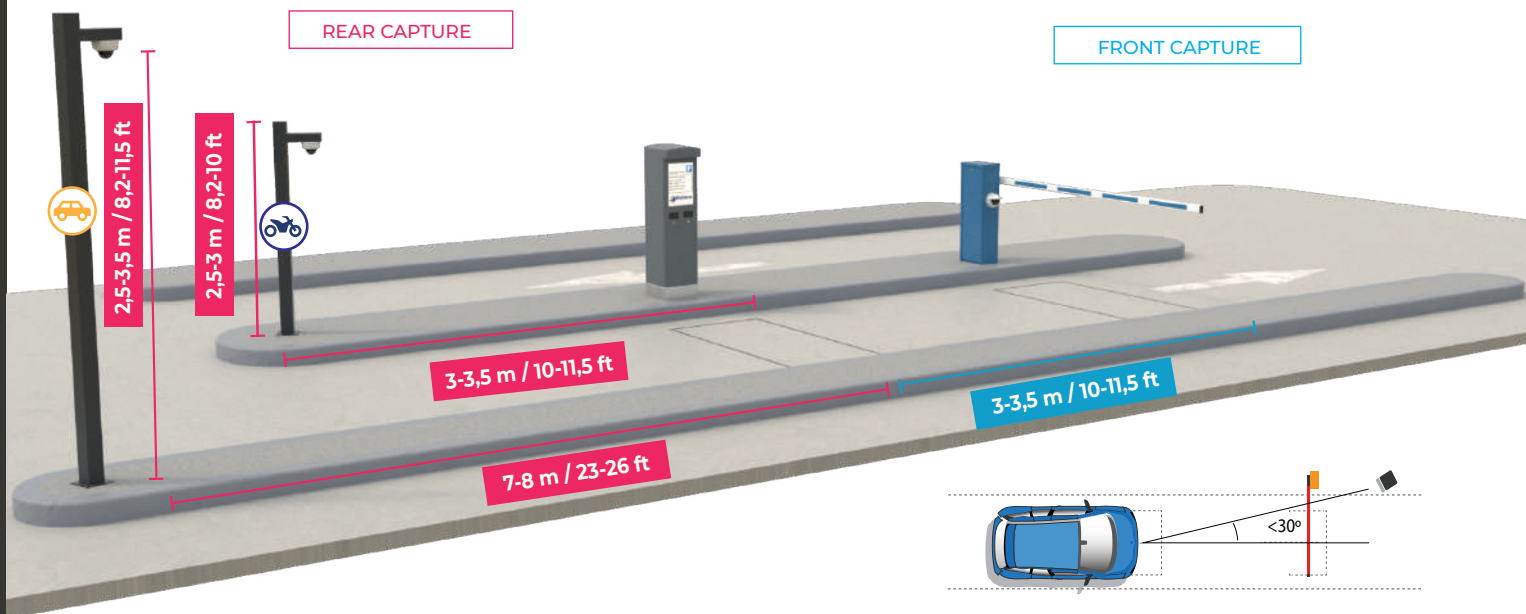
- The smallest possible horizontal and vertical inclination with respect to the center of the license plate. The maximum recommended inclination is 30°.

- When the vehicle is captured it must be properly in the lane. It is always necessary to seek the most perpendicular position for the camera in terms of the number plate.

- If the capture is performed using a software or hardware trigger, it is necessary to take into account the concealment produced when vehicles travel in convoy.

- It is necessary to avoid concealments caused by the barrier, since the barrier can obscure the camera's view of the number plate when in movement.

RECOMMENDED POSITIONING



| | Location | Capture | Maximum distance | Lane width |
|-----------|--------------------------|----------------|------------------|-------------|
| IR HYBRID | Barrier, Wall or Ceiling | Front and Rear | 6 m / 20 ft | 4 m / 13 ft |

IP CAMERA

| | LITE | PRO | PRO+ |
|--------------------|---|---|--|
| Camera model | Axis P3245LVE | Axis P3245LVE | Axis P3265LVE |
| Processor | Artpec7 32 bits | Artpec7 32 bits | Artpec8 64 bits |
| RAM | 1 GB | 1 GB | 1 GB |
| Image sensor | 1/2.8" RGB CMOS | 1/2.8" RGB CMOS | 1/2.8" RGB CMOS |
| Maximum resolution | 1080 HDTV (1920x1080) | 1080 HDTV (1920x1080) | 1080 HDTV (1920x1080) |
| Lens | Varifocal, 3.4-8,9 mm, F1.8 | Varifocal, 3.4-8,9 mm, F1.8 | Varifocal, 3.4-8,9 mm, F1.8 |
| Video compression | H.264 / H.265 / MJPEG | H.264 / H.265 / MJPEG | H.264 / H.265 / MJPEG |
| Power supply | Power over Ethernet (PoE) 802.3af/802.3at Type1 Class3 Typical 6.4 W, max. 11.3 W | Power over Ethernet (PoE) 802.3af/802.3at Type1 Class3 Typical 6.4 W, max. 11.3 W | Power over Ethernet (PoE) IEEE 802.3af/802.3at Type1 Class3 Typical 4.8 W, max. 10.7 W |
| AXIS warranty | 5 years | 5 years | 5 years |

IR/HYBRID ILLUMINATOR

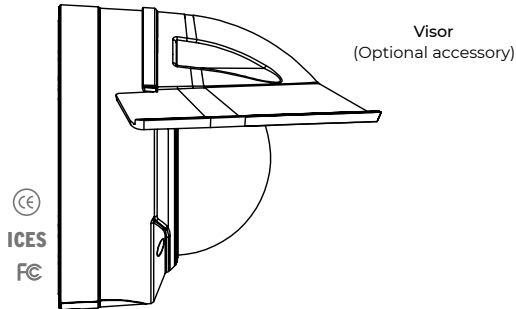


| | IR (infrared) | HYBRID (white light + infrared) |
|----------------|---|---|
| Operation | IR illuminator with SMD technology for B/W cameras - IR sensitive | White light SMD LED illuminator for work in color |
| Number of LEDs | 2 High Power IR LEDs integrated in the camera | External focus of 6 LEDs High Power White Light |
| Wavelength | 850 nm | White Light |
| Power supply | - | 12 Vdc - 15W max. |

PoE SPLITTER (optional)

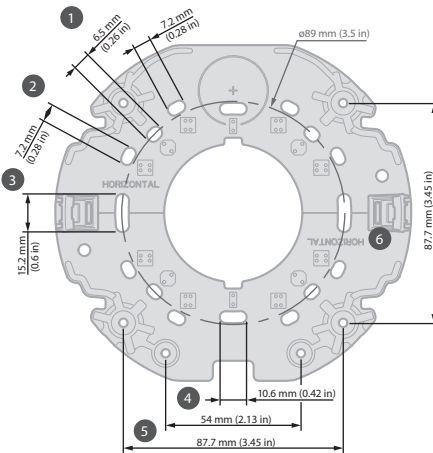
| | |
|--------------|--|
| Operation | Distributes data to the camera and power supply to the LED board |
| Outputs | 12 Vdc & PoE |
| Power supply | PoE+ - 802.at Type 2 30W |

DIAGRAMS



ANCHORING TYPE

DOME is recommended where the capture unit has to go on the ceiling, wall or barrier



ALL-IN-ONE CAMERAS

| REF. | CAMERA MODEL |
|----------|----------------------|
| 10 01 03 | Dome IR AIO LITE |
| 10 02 03 | Dome IR AIO PRO |
| 10 03 03 | Dome IR AIO PRO+ |
| 11 02 03 | Dome HYBRID AIO PRO |
| 11 03 03 | Dome HYBRID AIO PRO+ |

PC-BASED CAMERAS

| REF. | CAMERA MODEL |
|----------|---------------------|
| 13 01 03 | Dome IR PC LITE |
| 13 02 03 | Dome IR PC PRO |
| 13 03 03 | Dome IR PC PRO+ |
| 14 02 03 | Dome HYBRID PC PRO |
| 14 03 03 | Dome HYBRID PC PRO+ |

LPR CAMERA BULLET XXL

The long-range LPR

High Accuracy
+99%



PLUG & PLAY

- Automatic Zoom & Focus
- Black/White
- Color
- PoE

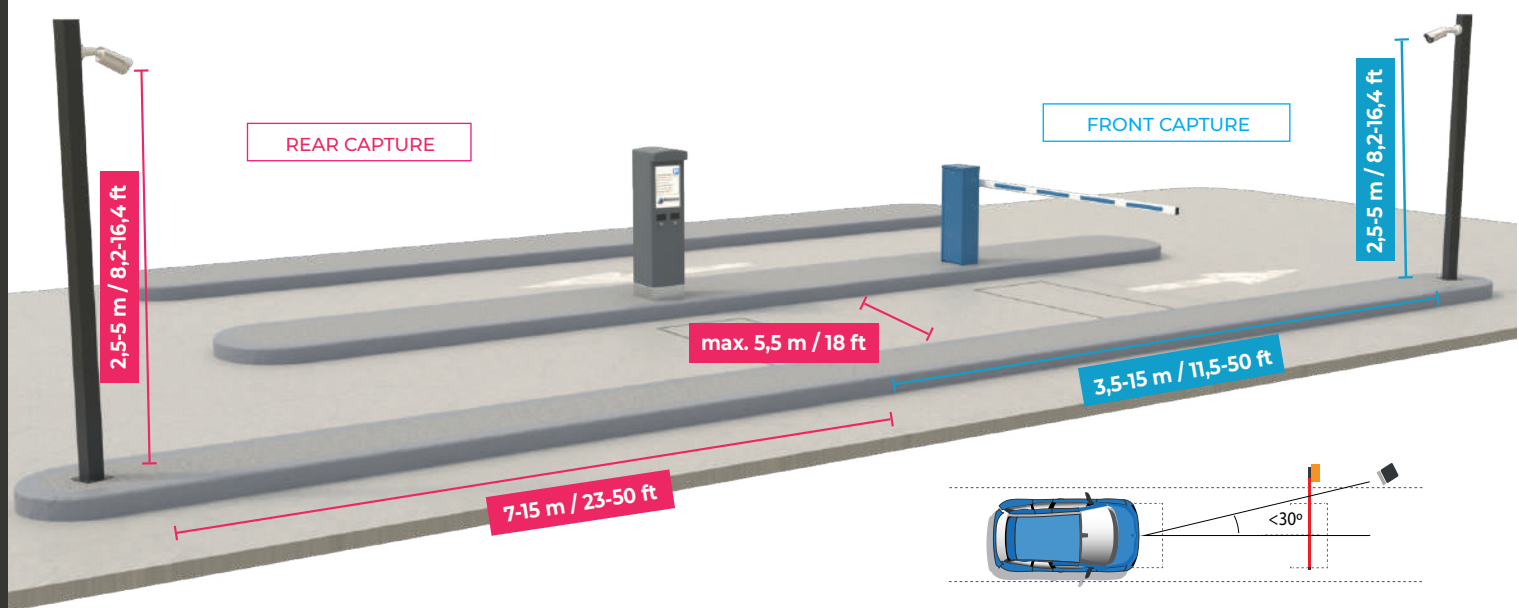
- Front and rear capture
- Wall, ceiling or pole
- Max. distance 15 m / 50 ft.

- Parking
- Corporate Residential
- Shopping Mall
- Airports Ports
- Border Posts
- Industrial Access
- Urban Traffic

The positioning of the capture unit on the ceiling or wall must always meet the following requirements:

RECOMMENDED POSITIONING

- The smallest possible horizontal and vertical inclination with respect to the center of the license plate. The maximum recommended inclination is 30°.
- When the vehicle is captured it must be properly in the lane. It is always necessary to seek the most perpendicular position for the camera in terms of the number plate.
- If the capture is performed using a software or hardware trigger, it is necessary to take into account the concealment produced when vehicles travel in convoy.
- It is necessary to avoid concealments caused by the barrier, since the barrier can obscure the camera's view of the number plate when in movement.



| | Location | Capture | Maximum distance | Lane width |
|--------|-----------------------|----------------|------------------|----------------|
| IR | Wall, Ceiling or Pole | Front and Rear | 15 m / 50 ft | 5,5 m / 18 ft |
| HYBRID | Wall, Ceiling or Pole | Front and Rear | 10 m / 33 ft* | 4,5 m / 15 ft* |

IP CAMERA

| | LITE | PRO | PRO+ |
|--------------------|--|--|---|
| Camera model | Axis Q1785LE | Axis Q1785LE | Axis Q1785LE |
| Processor | Artpec6 32 bits | Artpec6 32 bits | Artpec6 32 bits |
| RAM | 1 GB | 1 GB | 1 GB |
| Image sensor | 1/2.8" RGB CMOS | 1/2.8" RGB CMOS | 1/2.8" RGB CMOS |
| Maximum resolution | 1080 HDTV (1920x1080) | 1080 HDTV (1920x1080) | 1080 HDTV (1920x1080) |
| Lens | Varifocal, 4,3-137 mm, F1.4 | Varifocal, 4,3-137 mm, F1.4 | Varifocal, 4,3-137 mm, F1.4 |
| Video compression | H.264 / H.265 / MJPEG | H.264 / H.265 / MJPEG | H.264 / H.265 / MJPEG |
| Power supply | Power over Ethernet (PoE) 802.3af/802.3at Type1 Class3 Typical 7.7 W, máx. 12.95 W | Power over Ethernet (PoE) 802.3af/802.3at Type1 Class3 Typical 7.7 W, máx. 12.95 W | Power over Ethernet (PoE) IEEE 802.3af/802.3at Type1 Class3 Typical 7.7 W, máx. 12.95 W |
| AXIS warranty | 5 years | 5 years | 5 years |

IR/HYBRID ILLUMINATOR

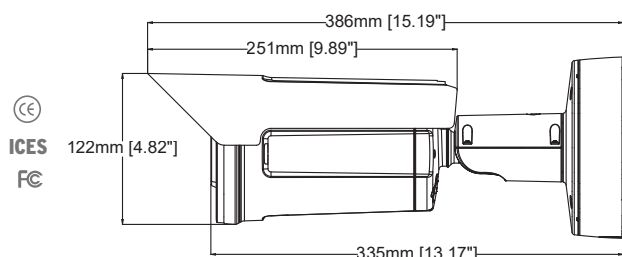


| | IR (infrared) | HYBRID (white light + infrared) |
|----------------|---|---|
| Operation | IR illuminator with SMD technology for B/W cameras - IR sensitive | White light SMD LED illuminator for work in color |
| Number of LEDs | 2 High Power IR LEDs integrated in the camera | External focus of 6 LEDs High Power White Light |
| Wavelength | 850 nm | White Light |
| Power supply | - | 12 Vdc - 15W max. |

PoE SPLITTER (optional)

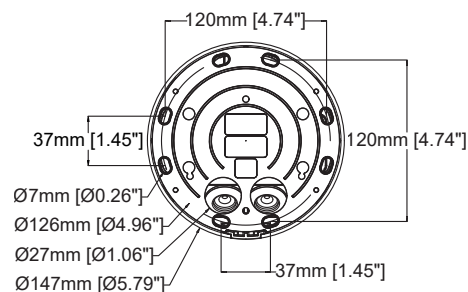
| | |
|--------------|--|
| Operation | Distributes data to the camera and power supply to the LED board |
| Outputs | 12 Vdc & PoE |
| Power supply | PoE+ - 802.at Type 2 30W |

DIAGRAMS



ANCHORING TYPE

This model is designed to be installed on a wall, ceiling or pole.



ALL-IN-ONE CAMERAS

| REF. | CAMERA MODEL |
|----------|----------------------------|
| 10 01 04 | Bullet XXL IR AIO LITE |
| 10 02 04 | Bullet XXL IR AIO PRO |
| 10 03 04 | Bullet XXL IR AIO PRO+ |
| 11 02 04 | Bullet XXL HYBRID AIO PRO |
| 11 03 04 | Bullet XXL HYBRID AIO PRO+ |

PC-BASED CAMERAS

| REF. | CAMERA MODEL |
|----------|---------------------------|
| 13 01 04 | Bullet XXL IR PC LITE |
| 13 02 04 | Bullet XXL IR PC PRO |
| 13 03 04 | Bullet XXL IR PC PRO+ |
| 14 02 04 | Bullet XXL HYBRID PC PRO |
| 14 03 04 | Bullet XXL HYBRID PC PRO+ |

LPR CAMERA TOTEM

The classic LPR

High Accuracy
+99%



Front and rear capture

Ground

Max. distance
8 m / 26 ft.



Parking



Corporate Residential



Shopping Mall



Airports Ports



Border Posts



Industrial Access

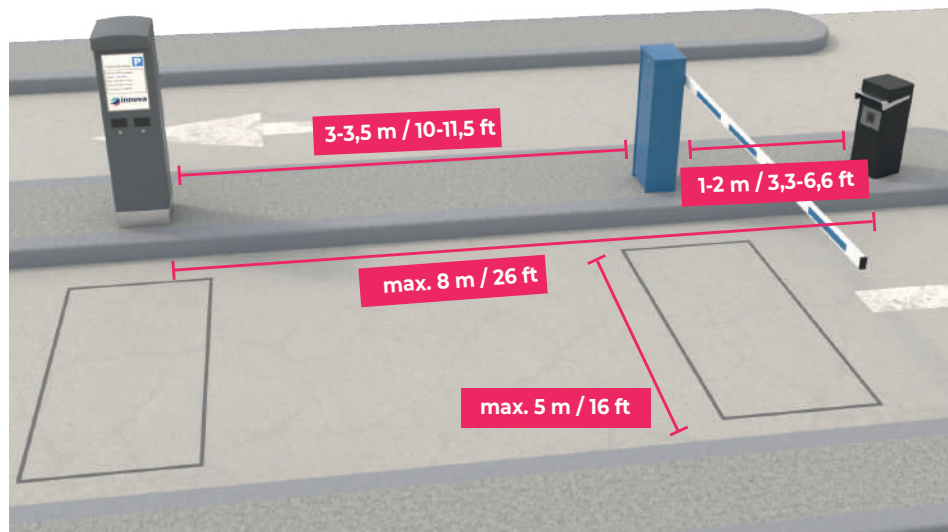
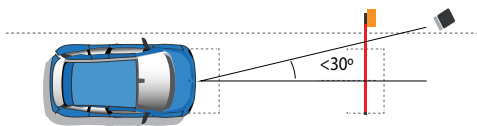


Urban Traffic

RECOMMENDED POSITIONING

The positioning of the capture unit with regard to the ground must always meet the following requirements:

- The smallest possible horizontal and vertical inclination with respect to the center of the license plate. The maximum recommended inclination is 30°.
- When the vehicle is captured it must be properly in the lane. It is always necessary to seek the most perpendicular position for the camera in terms of the number plate.
- If the capture is performed using a software or hardware trigger, it is necessary to take into account the concealment produced when vehicles travel in convoy.
- It is necessary to avoid concealments caused by the barrier, since the barrier can obscure the camera's view of the number plate when in movement.



| | Location | Capture | Maximum distance | Lane width |
|-----------|----------|----------------|-----------------------------|-----------------------------|
| IR HYBRID | Ground | Front and Rear | 8 m / 26 ft 5 m / 16 ft* | 5 m / 16 ft 4 m / 13 ft* |

TOTEM HOUSING

| | |
|---------------------|--|
| Material | 1.5 mm 304 stainless steel with degreasing, phosphating and powder coating treatment |
| Internal dimensions | 260x250mm (WxD); Height 700mm |
| Temperature range | -20°C / +50°C |
| Protection | IP 65 (EN 60529) |
| Window | 180x140mm (WxH); glass 5mm. |
| Weight | 18 kg. |
| Accessories | Electric plate to install components inside |
| Color | Color Black RAL 9005 GOF |

CAMERA IP

| | LITE | PRO | PRO+ |
|--------------------|--|--|---|
| Camera model | Axis P3245V | Axis P3245V | Axis P3265V |
| Processor | Artpec7 32 bits | Artpec7 32 bits | Artpec8 64 bits |
| RAM | 1 GB | 1 GB | 1 GB |
| Image sensor | 1/2.8" RGB CMOS | 1/2.8" RGB CMOS | 1/2.8" RGB CMOS |
| Maximum resolution | 1080 HDTV (1920x1080) | 1080 HDTV (1920x1080) | 1080 HDTV (1920x1080) |
| Lens | Varifocal, 3.4-8,9 mm, F1.8 | Varifocal, 3.4-8,9 mm, F1.8 | Varifocal, 3.4-8,9 mm, F1.8 |
| Video compression | H.264 / H.265 / MJPEG | H.264 / H.265 / MJPEG | H.264 / H.265 / MJPEG |
| Power supply | Power over Ethernet (PoE) 802.3af/802.3at Type1 Class3 Typical 3.5 W, max. 5.7 W | Power over Ethernet (PoE) 802.3af/802.3at Type1 Class3 Typical 3.5 W, max. 5.7 W | Power over Ethernet (PoE) IEEE 802.3af/802.3at Type1 Class3 Typical 3.5 W, max. 5.7 W |
| AXIS warranty | 5 years | 5 years | 5 years |

IR/HYBRID ILLUMINATOR

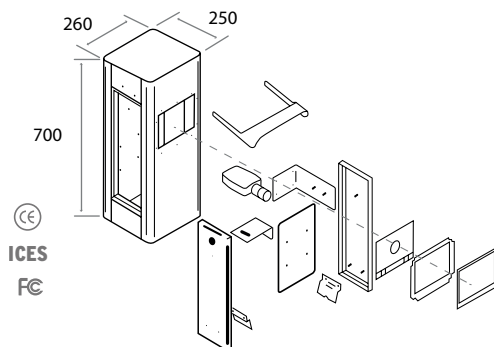


| | IR (infrared) | HYBRID (white light + infrared) |
|-----------------|--|---|
| Operation | IR illuminator with SMD technology for B/W cameras - IR sensitive | Hybrid illuminator with SMD IR leds to work in B/W and SMD White light leds to work in color |
| Number of LEDES | 12 High Power IR LEDs | 9 High Power IR Leds / 3 High Power White Light Leds |
| Wavelength | 850 nm | |
| Power supply | 10,5 Vdc - 15 Vdc I _{max} 1500mA | 10,5 Vdc - 15 Vdc I _{max} 1500mA |

SPLITTER PoE

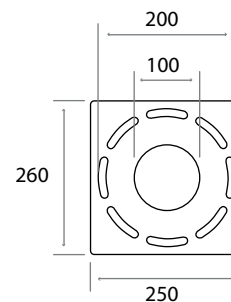
| | |
|--------------|--|
| Operation | Distributes data to the camera and power supply to the LED board |
| Outputs | 12 Vdc and PoE |
| Power supply | PoE+ - 802.at Type 2 30W |

DIAGRAMS



ANCHORING TYPE

This model is designed to be installed on the ground, recommended for flat access points or ones that are not very steep.



ALL-IN-ONE CAMERAS

| REF. | CAMERA MODEL |
|----------|-----------------------|
| 10 01 05 | Totem IR AIO LITE |
| 10 02 05 | Totem IR AIO PRO |
| 10 03 05 | Totem IR AIO PRO+ |
| 11 02 05 | Totem HYBRID AIO PRO |
| 11 03 05 | Totem HYBRID AIO PRO+ |

PC-BASED CAMERAS

| REF. | CAMERA MODEL |
|----------|----------------------|
| 13 01 05 | Totem IR PC LITE |
| 13 02 05 | Totem IR PC PRO |
| 13 03 05 | Totem IR PC PRO+ |
| 14 02 05 | Totem HYBRID PC PRO |
| 14 03 05 | Totem HYBRID PC PRO+ |