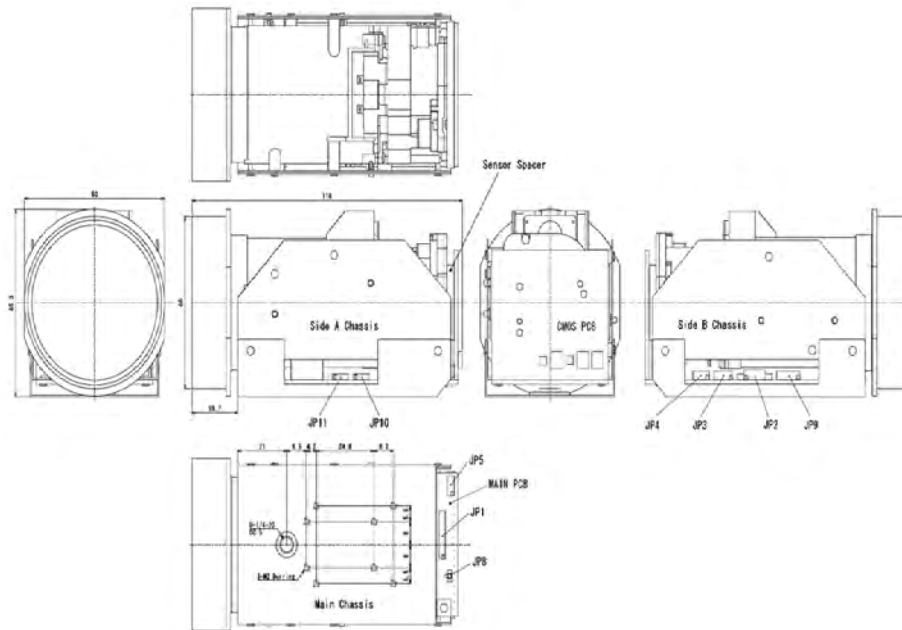


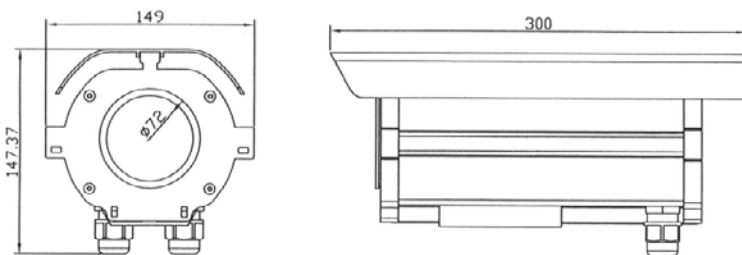
# SPECIFICATION

MODEL		GSM20265AF
		 
Video	Image Sensor	1/1.8" Global Shutter CMOS Image Sensor IMX265 LQR-C
	Scanning System	1920x1080@30fps, 1920x1080@25fps
	Video Format	HD-SDI: 1080p30, 1080p25, 1080i60, 1080i50, 720p60, 720p50, 720p30, 720p25 VBS: NTSC, PAL
	Minimum Illumination	Color 0.05 lx B/W 0.01 lx, F1.5, 25 IRE, AGC 42dB
	Signal to Noise Ratio	STD 52dB (Minimum 48dB)
Lens	F-Stop	Wide: F1.5, Tele: F3.40
	Focal Length	Wide (x1): 6.73mm, Tele (x20): 134.62mm
	Zoom	Optical Zoom 1~20 times: Stepping Motor Digital Zoom 1~32 times: (Optical + Digital Zoom Max: 640 times)
Function	Menu	Can Be Set on OSD & Communication Tool
	Auto Exposure	1/120000 to 1/30(25) sec.
	Manual Shutter	1/30(25), 1/50, 1/60, 1/100, 1/120, 1/150, 1/180, 1/250, 1/350, 1/500, 1/750, 1/1000, 1/2000, 1/4000, 1/10000, 1/34000sec.
	Sense-up	AGC Max 60dB & Slow Shutter Max 8 sec.
	Day & Night Mode	Color / B&W / Auto / External
	White Balance	AUTO / ATW / AWB (One Push)
	Digital Noise Reduction	2D + 3D (Coupled Motion ON/OFF)
	Backlight Control	Yes
	Peak / Average Control	Yes
	Gamma Control	0.45 / 0.65 / 1.00 (Auto Setup ON/OFF)
	Digital Wide Dynamic Range	Off / Low / Mid / High
	Expanded High-Dynamic Range	Off / Low / Mid / High
	Eclipse (High Light Clip)	Yes
	Fog Reduction	Yes
	Motion Detection	Yes
	OSD Language	English, Japanese, Others (Choose 2 Languages)
	Privacy Mask	Yes (16 Masks)
	Preset Position	Yes (64 Area)
Synchronous Mode	Internal	
General	Power Source	DC+12V
	Consumption Current	450mA
	Operation Temperature	-10°C ~ 50°C
	Storage Temperature	-30°C ~ 70°C
	Humidity	80% Max
	Dimensions	see diagram below
	Net Weight	315g ±2g

# DIMENSIONS



## ITS-LED LIGHT Camera Design & Feature



### Modules:

1) Rolling shutter CCM20185AF

2) Global shutter GSM20265AF

Selectable

### SENSOR : SONY 1/1.8" C-MOS

1) IMX185LQJ (Rolling shutter)

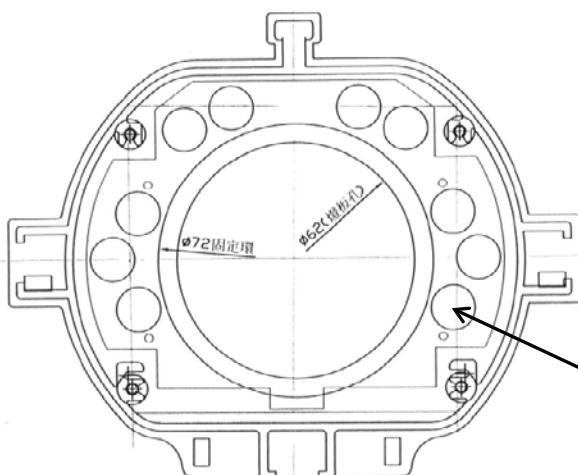
2) IMX265LQ (Global shutter)

### High sensitivity Minimum Illumination

1) IMX185LQJ : 0.02lx (COLOR)

2) IMX265LQ : 0.05lx

4. + 12Vdc 0.5A



LASER 850nm LED x 10pcs